



SMART DETAILS
RINGSCAFF | MODULAR SCAFFOLDING



RINGSCAFF

MODULAR SCAFFOLDING

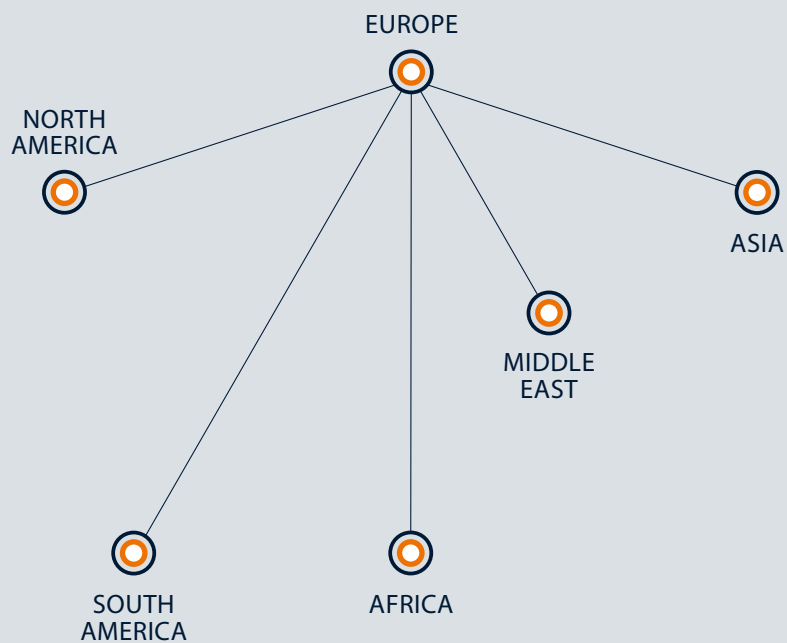
**SMART
DETAILS
GREAT
SOLUTIONS!**

 **scafom-rux**

GLOBAL NETWORK WORLDWIDE PRESENCE

Scafom-rux is a family owned company that has been established in 1978 and moved quickly to expand its global network. Today Scafom-rux is an acknowledged leader of the global scaffolding and shoring business.

Headquartered by Scafom-rux Holding in the Netherlands with five strategically located production sites, sales offices and engineers in 16 countries, the group is well positioned to respond rapidly to market trends in all the key markets of Europe, Asia, and North and South America, as well as the emerging commercial centres of Africa and Middle East.



Scafom-rux scaffolding and shoring systems are today on-site and in use, optimising safety with industrial, construction and infrastructural projects large and small around the world. Whether it's Ringscaff, Duralok, Super or Framescaff, or indeed the classic and reliable Scafom-rux props, highest possible safety standards can be sustained by Scafom-rux.

Safety first always! At every level of business — from design concept through to routine daily use — Safety First is a priority for all at Scafom-rux. A system of stringent controls on the quality of raw materials is reinforced by a continuous and consistent testing on all products and systems. When it comes to safety, product quality and ease of use, nothing is left to chance.

Scafom-rux pays attention to detail and provides dynamic professionalism at every level of the customer relationship, making a direct contribution to the client's bottom line results. From erection and dismantling-, consulting & training, R&D and innovative engineering to logistics and application on a worldwide basis, Scafom-rux brands are the complete solution provider for the global industry.

Prepared always to provide even better solutions. Smart Details, Great Solutions!

RINGSCAFF - MODULAR SCAFFOLDING

GOOD TO KNOW

02-03 | OVERVIEW | CONTENTS

04-05 | SYSTEM OVERVIEW

06-09 | ADVANTAGES

10-11 | STAIR TOWERS

PRICE LIST

12-69 | PRODUCTS

- 12-14 | SCAFFOLD BASIS
- 15-18 | VERTICAL ELEMENTS - STANDARDS
- 17 | VERTICAL ELEMENTS - SUPPORTS
- 18-23 | HORIZONTAL ELEMENTS - LEDGERS
- 24-27 | HORIZONTAL ELEMENTS - LATTICE GIRDERS
- 28-30 | HORIZONTAL ELEMENTS - K-FRAME
- 31-34 | DIAGONALS
- 35-36 | COUPLERS
- 37-44 | DECKS
- 40-41 | ACCESS HATCHES
- 42-43 | CORNER SOLUTIONS
- 45-48 | BRACKETS
- 49-51 | SIDE PROTECTION
- 52-61 | STAIRS / LADDERS
- 61-63 | LOGISTICS
- 63 | BALLAST
- 64-65 | BUILDING SITE SAFEGUARDING
- 66-69 | PSA

70-71 | ASSEMBLY

72-73 | LIGHTWEIGHT ALUMINIUM STAIWAY WITH PLATFORM

74-75 | STEEL SITE STAIRWAY

76-83 | UNIVERSAL STAIR STRINGER

84-89 | DECKS AND DECK ALLOCATION

90-91 | SCAFOM-RUX SERVICE | APP | ANIMATIONS

92 | PRODUCT OVERVIEW

93-95 | APPROVALS AND MIXING APPROVALS

SIMPLY ASSEMBLED - STABLE IN EVERY RESPECT

RINGSCAFF is an extremely stable modular scaffolding with top ratings in terms of connection values.

Yet logistics and the simple assembly principle are features that need to be particularly highlighted.

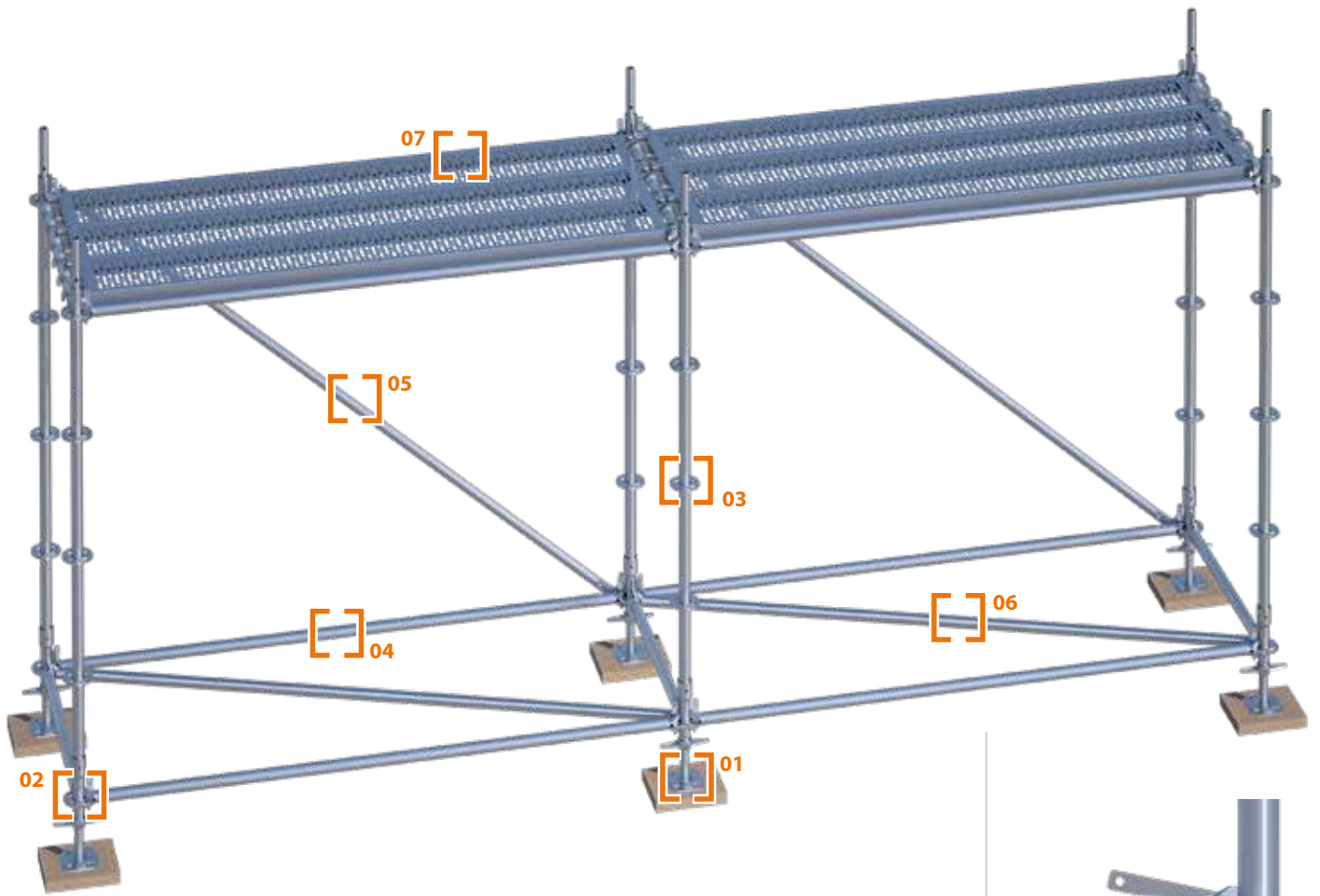
The simple steps are always the same:

- Position the ledger or diagonal
- Insert wedge
- The hammer blow makes a load-bearing connection out of a form-fit one



As many as 4 ledgers and 4 diagonals can be fitted to a single ring at any one time.

This means that a compact yet quite slender scaffold node results from a simple ring; a connection that can withstand the very highest loads.

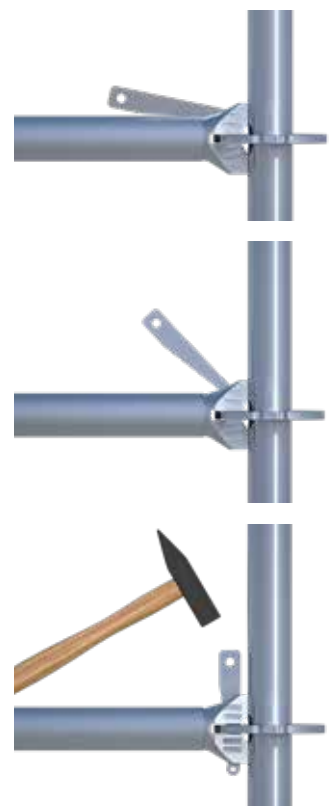


ASSEMBLY? QUICK AND EASY!
**FEW BASIC ELEMENTS,
 INNUMERABLE POSSIBILITIES**

- 01 Base jack
- 02 Lead-off adapter
- 03 Standards with rings
- 04 Horizontal ledger
- 05 Diagonal
- 06 Horizontal diagonal
- 07 Decks

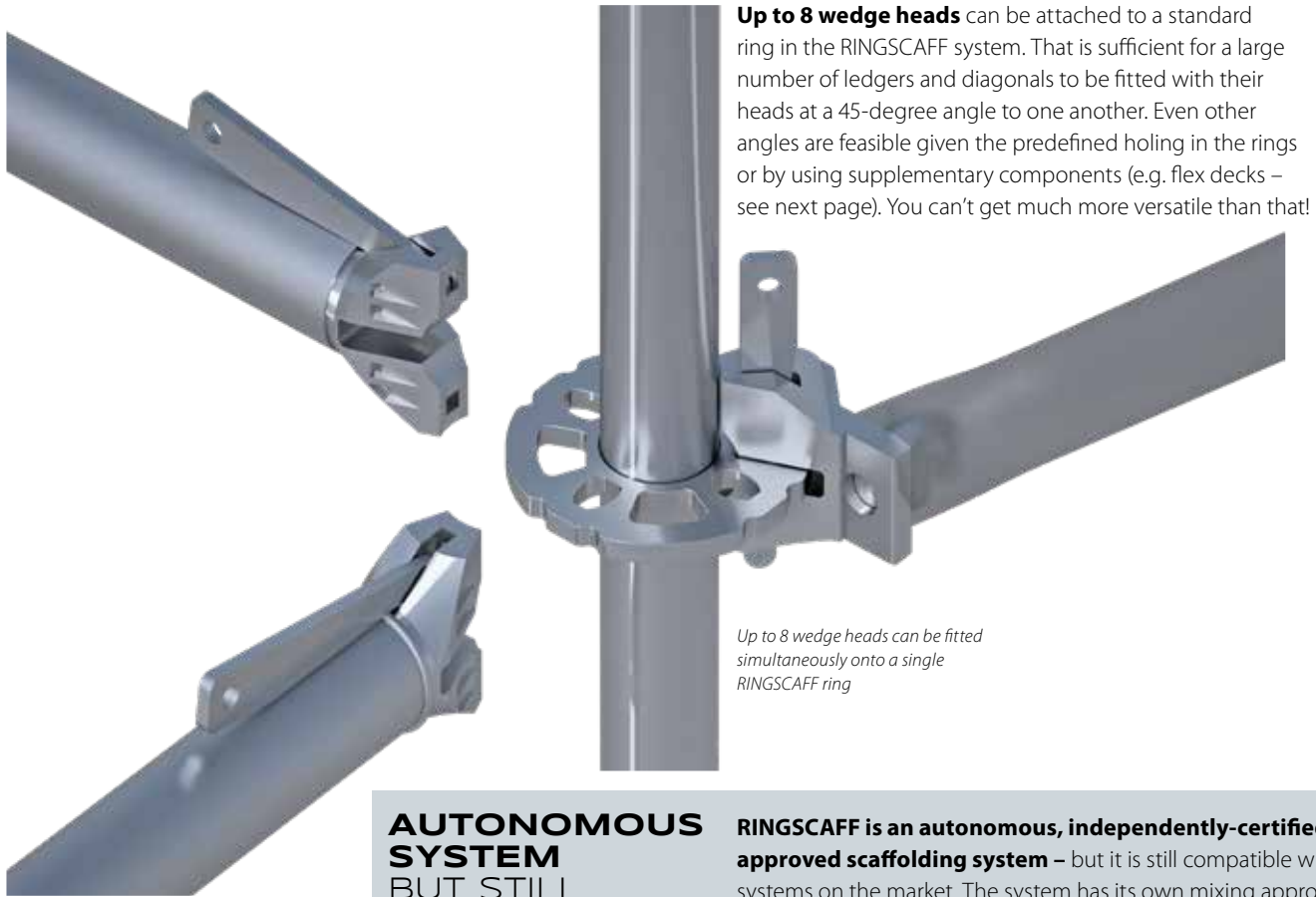


The RINGSCAFF system makes do with just a few basic elements. However, thanks to the wide product range available it can be extended to such a degree that there is hardly any challenge in modular scaffolding that cannot be solved with it. You can see the many supplementary parts in our animations under vimeo.com/ruxgmbh/albums.



*Hammer is faster than a ratchet.
 RINGSCAFF's smart wedge head
 standard connection ensures speedy
 assembly and disassembly.*

**PERFECT FOR CUSTOMISED UND VOLUMINOUS SCAFFOLDS,
TRENDSETTING IN DESIGN AND FUNCTION**

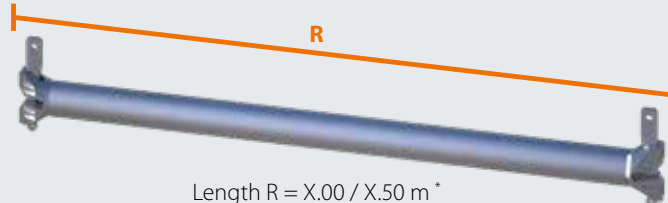
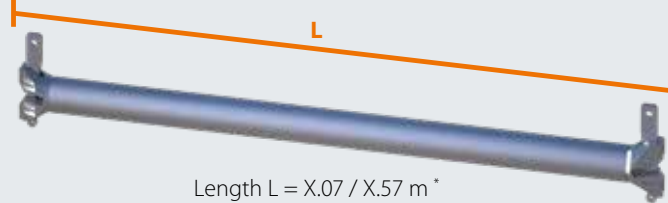



Up to 8 wedge heads can be attached to a standard ring in the RINGSCAFF system. That is sufficient for a large number of ledgers and diagonals to be fitted with their heads at a 45-degree angle to one another. Even other angles are feasible given the predefined holing in the rings or by using supplementary components (e.g. flex decks – see next page). You can't get much more versatile than that!

Up to 8 wedge heads can be fitted simultaneously onto a single RINGSCAFF ring

**AUTONOMOUS SYSTEM
BUT STILL
COMBINABLE**

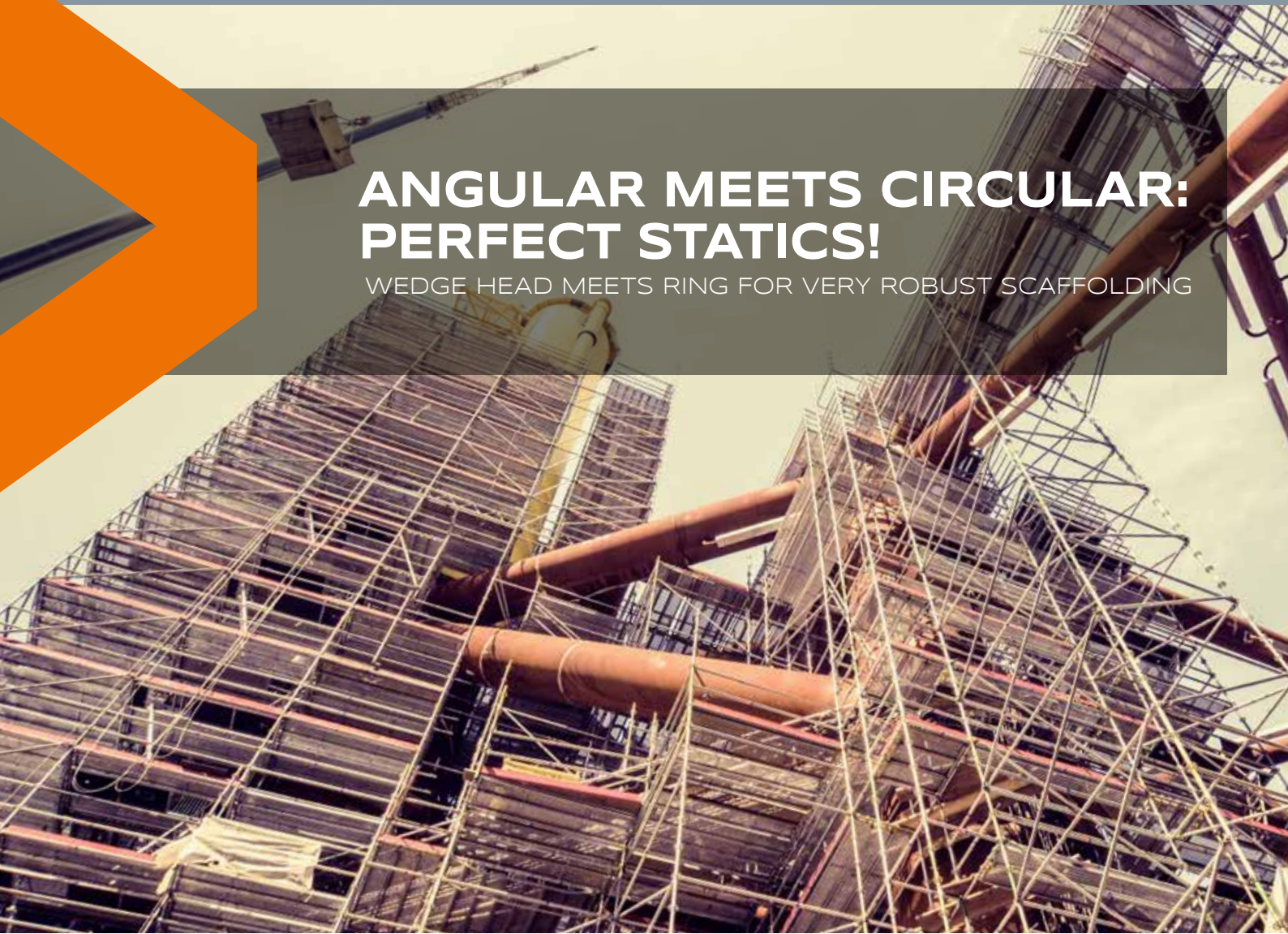
RINGSCAFF is an autonomous, independently-certified and approved scaffolding system – but it is still compatible with other systems on the market. The system has its own mixing approvals that officially confirm such use.

<p>RINGSCAFF METRIC Approval No. Z-822-869</p>	 <p>Length R = X.00 / X.50 m *</p>
<p>RINGSCAFF 07 DIMENSION Approval No. Z-822-869 Mixing Approval No. Z-822-901</p>	 <p>Length L = X.07 / X.57 m *</p>
<p>RINGSCAFF 032 DIMENSION Approval No. Z-822-869 Mixing Approval No. Z-822-911</p>	 <p>Width P = 0.32 m</p>

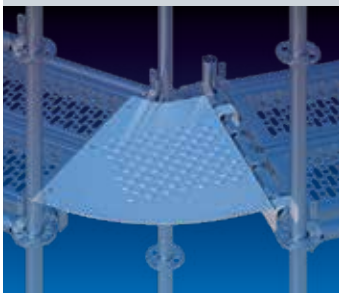
*Also special lengths

ANGULAR MEETS CIRCULAR: PERFECT STATICS!

WEDGE HEAD MEETS RING FOR VERY ROBUST SCAFFOLDING



ONLY 8 EXAMPLE PARTS THAT MAKE RINGSCAFF EVEN BETTER



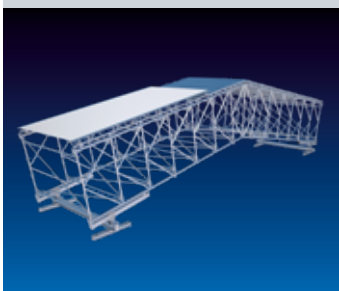
CORNER PANEL, FLEXIBLE

- Corners on circular structures can be flexibly closed up to 45°
- The associated bracket replaces one inner standard and the connection between the inner standards



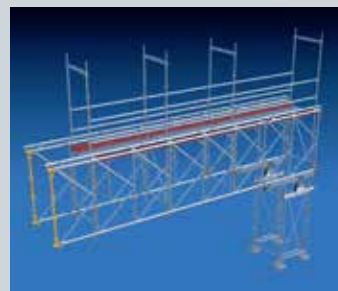
CORNER DECKS TYPE 1-4

- Type 1-4, for 90° corners
- Contour-close decks for circular or inclined structures
- Structurally secure assembly, no cutting, no tripping hazards



MULTI-ROOF AND K-FRAME

- Span widths of more than 40 m without any tensioning belts
- Self-aligning, safe assembly in flat, lying position
- Load-bearing and form-fit RINGSCAFF bracing elements
- Suitable for all scaffolding systems and all conventional roof cassettes or tarpaulins



K-FRAME SCAFFOLD BRIDGE / END SECTION

- For high load-bearing bridges
- Further assembly either with modular or façade scaffolding



A large number of special parts turn the standard RINGSCAFF scaffolding into a bespoke solution for various applications. RINGSCAFF is safe, efficient, quick to assemble, flexible even in confined spaces and outstanding from a statics point of view. Whether for industrial or for listed building scaffolding: with the RINGSCAFF modular system you can offer just the right solution for facilitating the work of your customers – and one that will strengthen your position on the market as well.

INGENIOUS CONNECTION TECHNOLOGY

FEW COMPONENTS

RAPID ASSEMBLY AND DISASSEMBLY

OPTIMAL UTILISATION OF TRANSPORTATION AND STORAGE SPACE

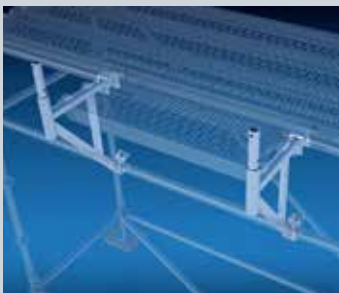
HIGH VALUE STABILITY

HIGH SAFETY POTENTIAL

ROBUST INDIVIDUAL PARTS

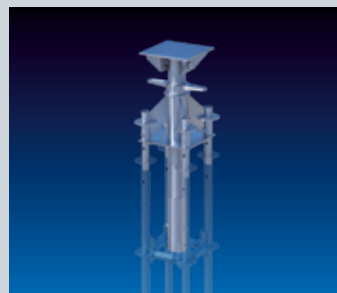
The scafom-rux product engineers are most familiar with the themes of safety, handling and optimum logistics – but it is only with a keen eye for details and an open ear for the needs of our customers that the leading edge can be established that distinguishes us as one of the innovation frontrunners in our industry.

A few more new ideas can be seen below. There are more of them later in the price list section.



BRACKETS FOR INTERMEDIATE POSITIONS

- Single or 2-deck version
- Mounting on RINGSCAFF ledgers
- For scaffolding around niches and recesses
- Can be flexible fitted at any position in the scaffold bay



HEAVY-DUTY HEAD/BASE JACK

- Central threaded spindle at head and base point for precise height adjustment
- Prop out of 4 RINGSCAFF standards
- Load-bearing capacity up to 25 t for each prop
- Can be combined to a multiple prop



SYSTEM GIRDER

- Width and position of the scaffolding structure variable
- Decks can be fitted on the upper or lower chord
- Enhanced safety for passers-by thanks to second decking level
- Possible to use as system girder with metric dimension



STEEL SITE STAIRWAY TOWER

- RINGSCAFF standard solution with a ledger dimension of 1.00 and 2.00 m; the stairway is simply added
- Up to 50 m construction height
- No special steps or stairs
- Stairway handrails inner/outer with standard diagonals 2.00 x 2.00 m

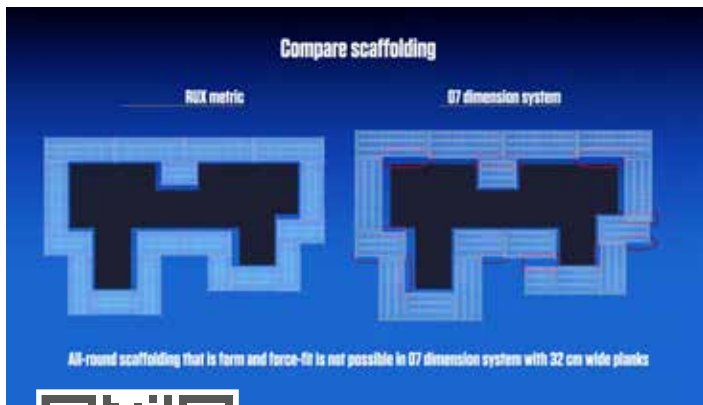
ECONOMIC, SAFE, SUSTAINABLE?

PICK ANY THREE, THEN JUST ADD CLEVER!



Our users are our most important driving force because how would we otherwise know what is needed on the market? Of course, we are also represented on various committees and associations to know at an early point in time e.g. which direction legal or insurance requirements are moving in.

And then we implement not just what we would call the "development of scaffolds" - instead we prefer to see ourselves as a competent developer of "safety technology". Since we want you and your customers to be able to work in a safe and secure environment: for example, with our RINGSCHAFF modular scaffolding.



LOGICAL, METRIC MODULAR DIMENSIONS

One metre is one metre! Sounds logical. And that is not only simple to calculate, it also has decisive material advantages when confronted with cornered and irregular structures. That is the reason why the lengths of the ledgers and the distances between the RINGSCHAFF rings come as standard in metric dimensions. Our compatible lengths in the 07 dimension are the exception.

MIXING? APPROVED!

Talking of compatible: even here, safety has the uppermost priority for us. That is why we have naturally had RINGSCHAFF thoroughly tested in terms of its usage with compatible third-party systems. The corresponding mixing approvals confirm this. And that in turn gives the user absolute certainty!

FLEXIBLE MODULAR SYSTEM

Scaffolding for a number of different applications can be quickly assembled with just a few component parts. Thanks to the outstanding static values and the comprehensive range of supplementary material and accessories that are available, you can make complex and often improvised screw connections a thing of the past.

INGENIOUSLY SIMPLE ASSEMBLY

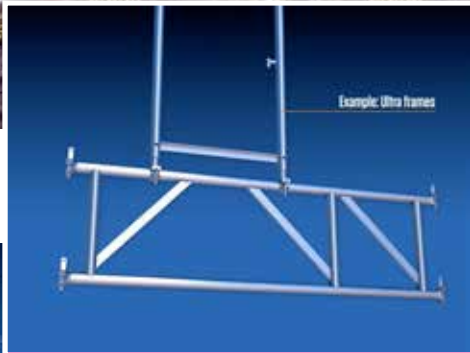
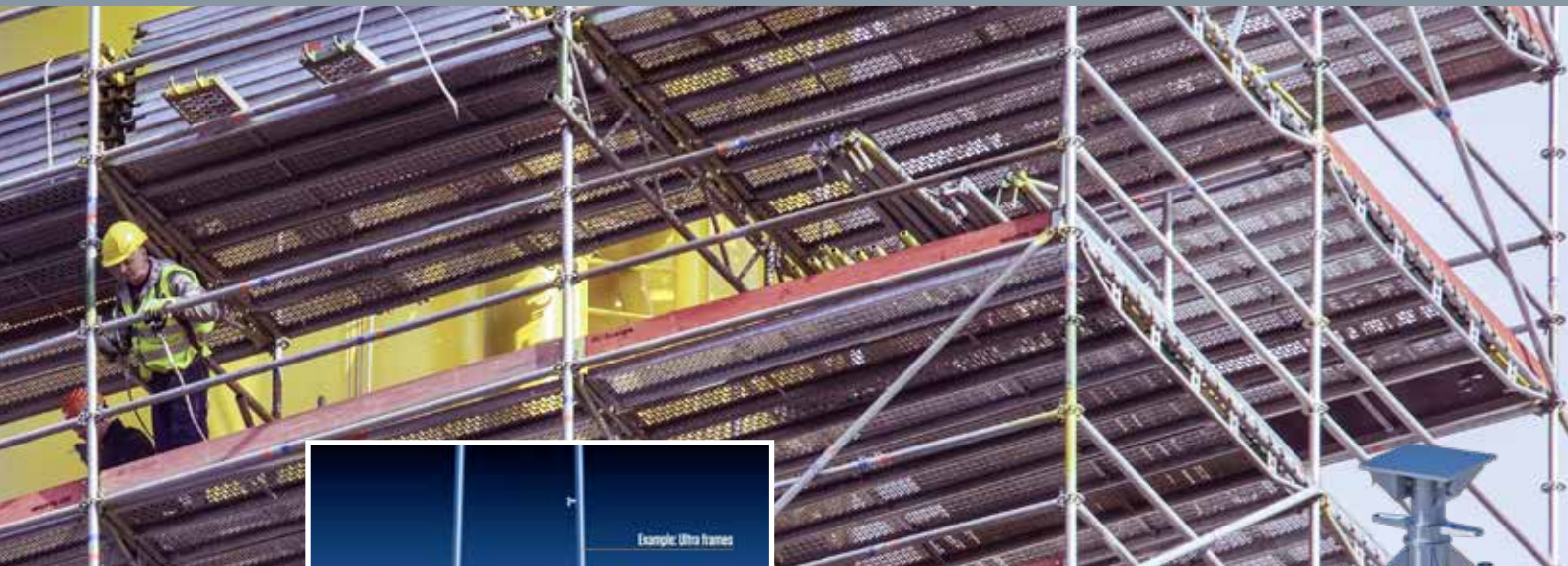
Basically, only one tool is needed for assembly and disassembly: and that is a hammer! – We think that is great! ... but anyone who still wants to use a ratchet will be able to find what they are looking for: the tubes of the standards and ledgers naturally have the usual standard diameter of 48.3 mm and can therefore be perfectly coupled with one another.



Please take a look at our animation for the advantages of the metric system – particularly in the case of cornered and irregular structures.

Platforms, customised scaffolding, modular additions and removals "in the air" – no problem with RINGSCHAFF!





Clever cross connection: you can easily implement pedestrian tunnels with RINGSCAFF system girders and SUPER scaffolding fitted on top.



Moving an entire RINGSCAFF scaffolding? Just hook it up!

WIDE-RANGING POSSIBILITIES

The core competence of RINGSCAFF was originally industrial scaffolding, but the number of possibilities offered with just the standard parts very quickly enabled the system to be used as an absolutely universal scaffolding. However, its functionality can be considerably extended: in this respect, for example, the K-Frame offers bridging and roofing options with enormous span widths and even high load-bearing props can be readily implemented with the appropriate heavy-duty spindle that can be used as a head/base jack. Moreover, the universal stair stringer with the matching handrails opens up the possibility of completely erecting emergency stairway towers that are approved for public traffic: entirely new fields of application.

CLEVER SUSTAINABILITY

scafom-rux is a developer! However, we just do not start producing, but instead follow a guiding line that is determined by our product developers. Catchword: multiple use! When decks, simply in stock and therefore available, can be used for our building site protection system SCAFFPLANK or the MULTI-ROOF components can also be used as a pedestrian bridging system, the investments of our users simply have an added value.

ABSOLUTE ADDED VALUE

All these points together explain well why the RINGSCAFF modular scaffolding system is one of the most stable-value products on the market. You will be investing in a proven, consistently further developed product with RINGSCAFF scaffolding and thereby in a sustainable system for the future and one which will have paid for itself within a short time. And by the way: you will also have our unbeatable service as an add-on.



Simply combine normal standards and short ledgers with the head/base jacks and your heavy-duty spindle is all ready to go. Of course, they can also be combined with one another for even more strength.

SMALL, MEDIUM, TALL? BUT ALWAYS READY TO GO!

VARIOUS JOBS, VARIOUS TYPES OF STAIRS

Changing levels in a scaffolding can be done with varying degrees of convenience. The ladder frame is quite adequate for a number of jobs – but the real professional will offer customers bespoke alternatives. Here we are presenting just three of them: details and parts lists for the individual stairway alternatives can be seen in this brochure from page 72.

SUSTAINABLE DESIGN

The aluminium stairway can be quickly converted to fit for SUPER façade scaffolding by simply changing the head section and the inner and outer handrails can be readily fitted anyway in either scaffolding system.

When a site stairway is required, no additional special component parts are needed for the stair tower – the rest is simply built out of standard RINGSCAFF components: standards, ledgers and diagonals.

The universal stair stringer can be used for various stair widths; with the stairs being assembled with normal steel decks. This is economic multiple usage that enables lean stock management.

FULL SYSTEM INTEGRATION

PRACTICAL MULTIPLE USES

MATERIAL, WORK AND TIME SAVINGS





Whether it is a slim aluminium stairway, an extra-wide ascent for equipping the scaffolding or an approved emergency stairway tower – all the conventional options for changing levels can be implemented with RINGSCAFF ... and, of course, the "good old" ladder frame is still available as well.



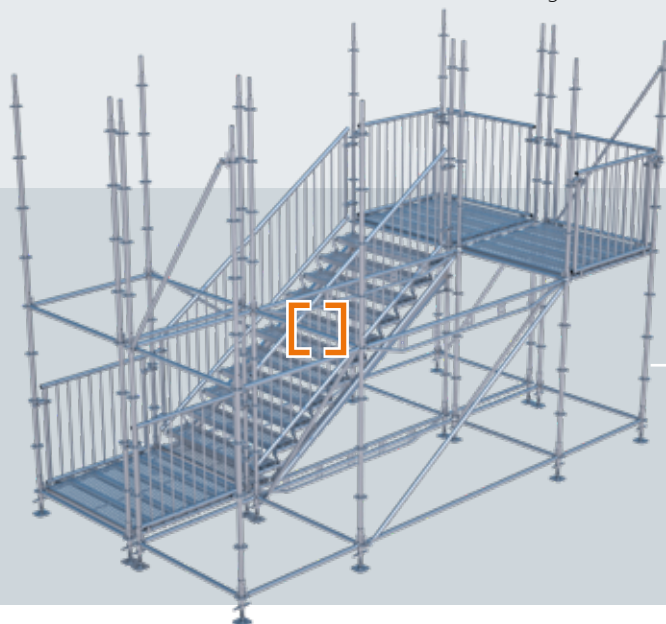
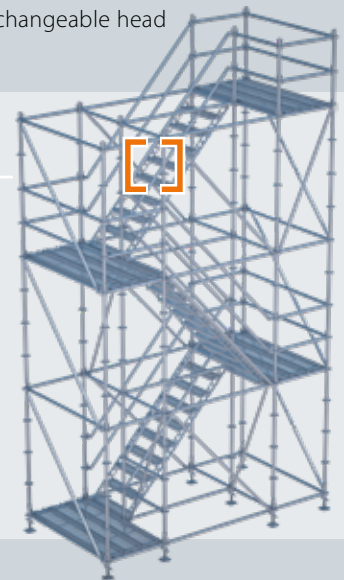
PLAN YOUR ASCENT OPTIONS

ALUMINIUM PLATFORM STAIRWAY

- Slim stairway solution with a width of 60 cm
- Can also be used with SUPER façade scaffolding thanks to the exchangeable head section

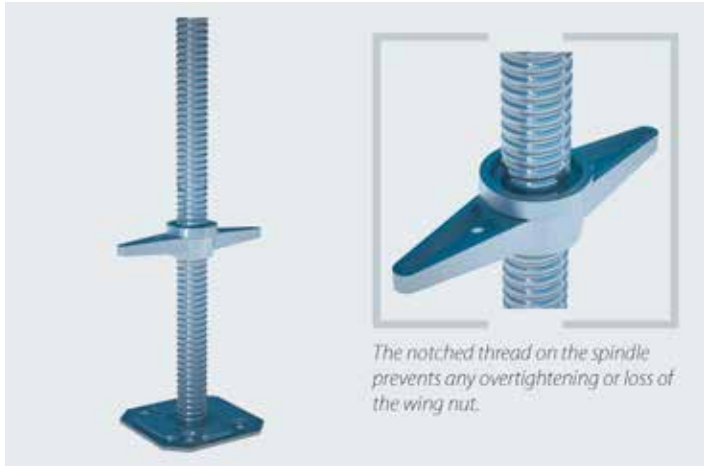
STEEL SITE STAIRWAY

- Extremely economic
- Only special component in the scaffolding: the stairway itself
- Otherwise, only standard parts fitted
- Handrails out of diagonals



UNIVERSAL STAIR STRINGER

- Variable ascent width since system decks are used as steps
- Special handrails allow it to be used by the public as an emergency stairway tower
- Entire bridging sections can be implemented

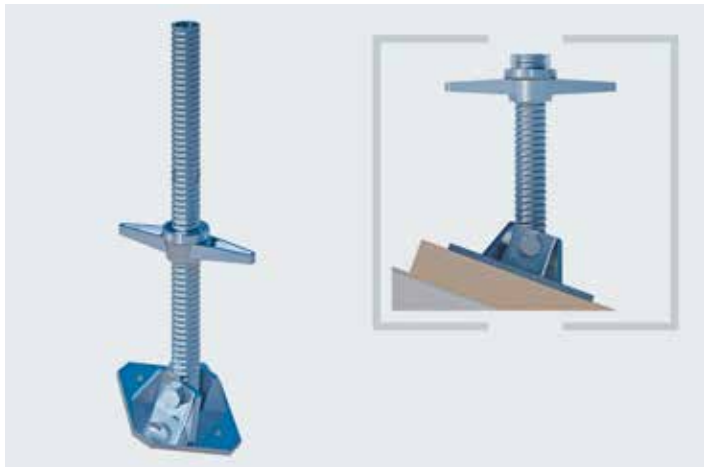


Base jack Ø 38 mm

To compensate for uneven surfaces and to enable perpendicular/horizontal scaffold assembly. Depending on the position of the wing nut, the load-bearing capacity can be as much as 50 kN. High-speed thread for continuous adjustment. Comes with wing nut for simple height adjustment even under load conditions. The thread is notched 150 mm below its upper edge to secure the wing nut. Please ensure when fitting that the overlap length between the standard and the spindle is 25 % of the spindle length and is at least 150 mm.

H/L x B (m)	kg	Pack	Part No.	for order volume of: €/each		
0.30	2.40	330	00357	1: 11.90	50: 8.20	250: 7.40
0.50	3.20	250	00358	1: 13.80	50: 8.90	250: 8.20
0.60	3.90	300	08358	1: 14.30	50: 9.00	250: 8.50
0.78	4.20	250	00360	1: 18.30	50: 11.80	200: 10.80
1.00	4.70	200	00365	1: 22.90	50: 14.50	200: 12.90

SNP

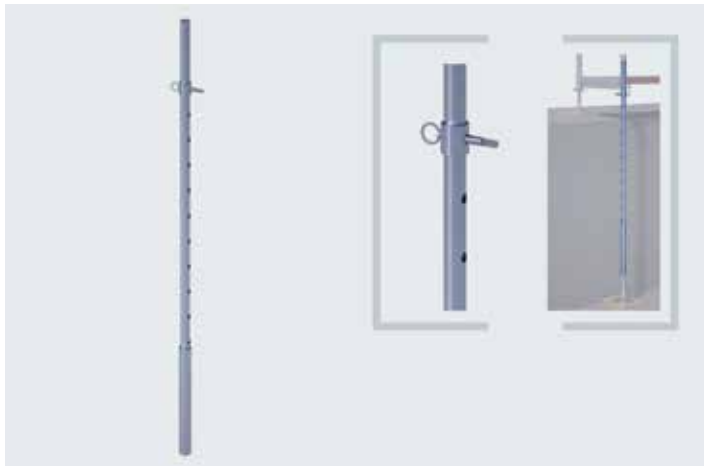


Base jack, pivoted Ø 38 mm

In addition to height adjustment, the angle of stand can also be continuously adjusted thanks to the swivel plate. Ideal for uneven surfaces or wall-side supports. Permissible load of up to 25.4 kN.

H/L x B (m)	kg	Pack	Part No.	for order volume of: €/each		
0.50	3.10	250	00361	1: 29.60	50: 22.50	100: 18.80
0.78	5.70	250	E02RS0008	1: 30.60	50: 23.50	100: 19.80

SNP



Spacer tube complete with sleeve and pin

Suitable when the base jack is no longer adequate for compensating for very uneven surfaces or in the case of cellar stairways etc. It is used as an extension for the base jack in combination with the decking transom. Significant adjustment range of 1.00 m at 10 cm intervals.

H/L x B (m)	kg	Pack	Part No.	for order volume of: €/each		
1.80	6.40	50	00668	1: 42.90	10: 30.90	20: 27.60

SNP

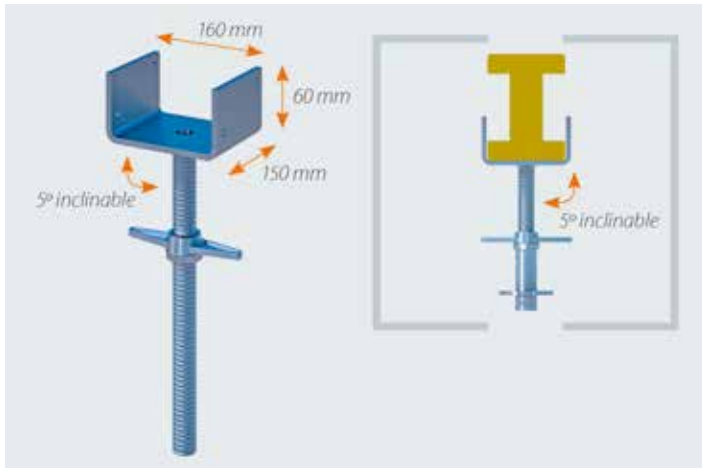


Underlay pad for base jack

Fitted with reflectors, out of plastic material.
H: 0.265 mm x L: 0.235 mm x W: 0.01 mm

Info	kg	Pack	Part No.	for order volume of: €/each		
	0.20	80	05632	1: 3.40	10: 2.45	50: 2.10

SNP



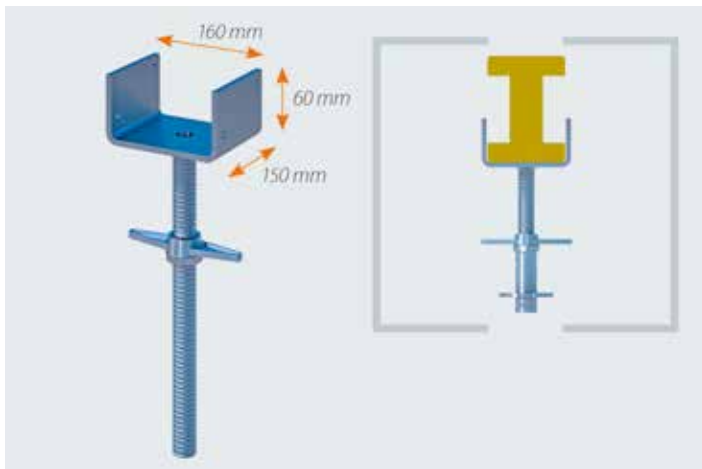
Head jack with U-shaped profile, inclinable

Load-bearing element for support and platform scaffolds as well as for shoring systems. Basically, the counter part of the base jack. The U-shaped profile serves for the take-up of square timbers or formwork girders. The head can be inclined by 5°.

Head plate: 160 x 150 x 60 mm

H/L x B (m)	kg	Pack	Part No.	for order volume of: €/each		
0.55	5.80	100	00363	1: 49.60	10: 44.00	30: 39.90

SNP



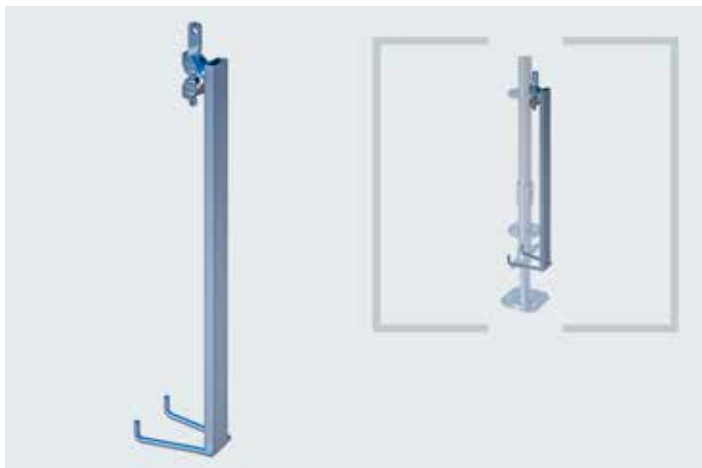
Head jack with U-shaped profile, rigid

Load-bearing element for support and platform scaffolds as well as for shoring systems. Basically, the counter part of the base jack. The U-shaped profile serves for the take-up of square timbers or formwork girders.

Fork width: 162 mm

H/L x B (m)	kg	Pack	Part No.	for order volume of: €/each		
0.60	5.90	100	E02RS0003	1: 34.00	10: 20.70	30: 17.50

SNP



Jack holder with wedge head

For the secure connection of the base jack to the standards in the RINGSCAFF modular scaffolding using wedge heads. Reduces the effort to realign the base jacks when transporting or moving entire scaffold modules and thereby saves several work operations.

Info	H/L x B (m)	kg	Pack	Part No.	€/each
	0.60	2.00	24	E04RS1276	22.00

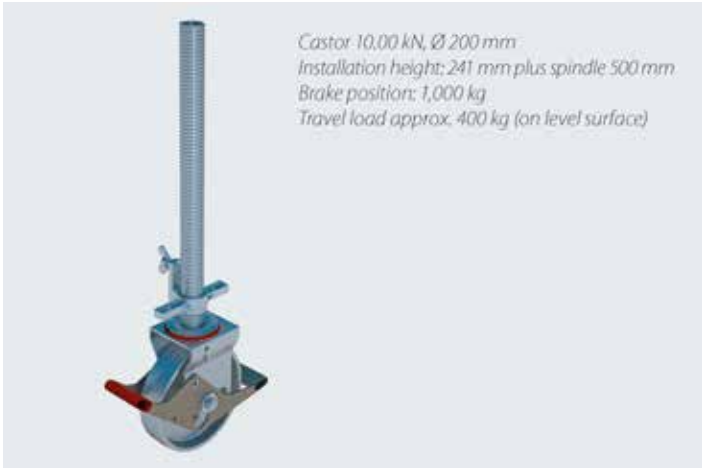


Castor 3.0 kN

For mobile scaffold structures of all types. Height adjustable for perpendicular alignment. Locking brake for a secure stand and to protect against any unintentional rolling away. Centric transfer of load when brake is engaged. Little effort needed when moving the system thanks to integrated slide bearings in the hub and nylon wheel to safeguard the supporting surface. Also equipped with a foot lever for releasing the brake. Corresponds to EN 1004. Suitable for both indoor and outdoor applications.

H/L x B (m)	kg	Pack	Part No.	for order volume of: €/each		
3.80	170	02449	1: 65.80	8: 39.50	24: 35.80	

SNP



Castor: 10,00 kN, Ø 200 mm
Installation height: 241 mm plus spindle 500 mm
Brake position: 1,000 kg
Travel load approx. 400 kg (on level surface)

Castor 10.0 kN

For mobile scaffold structures of all types. Height adjustable for perpendicular alignment. Locking brake for a secure stand and to protect against any unintentional rolling away. Centric transfer of load when brake is engaged. Little effort needed when moving the system thanks to integrated slide bearings and nylon wheel to safeguard the supporting surface. Also equipped with a foot lever for releasing the brake. Suitable for both indoor and outdoor applications: EN 1004.

H/L x B (m)	kg	Pack	Part No.	for order volume of: €/each			
6.00	72	05507	1:	82.00	8:	58.00 24:	47.50

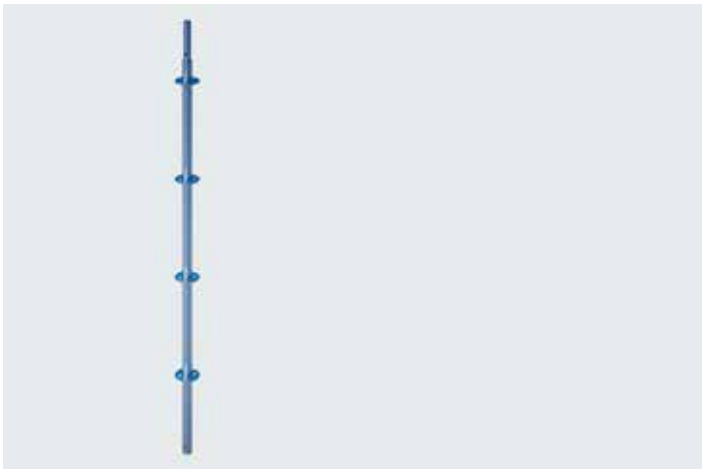
SNP



Standard lead-off adapter

Together with the base jack, it forms the foot of any scaffold structure from the RINGSCAFF modular system. Optionally with drill holes to enable a tight and pressure-resistant connection to the next standard.

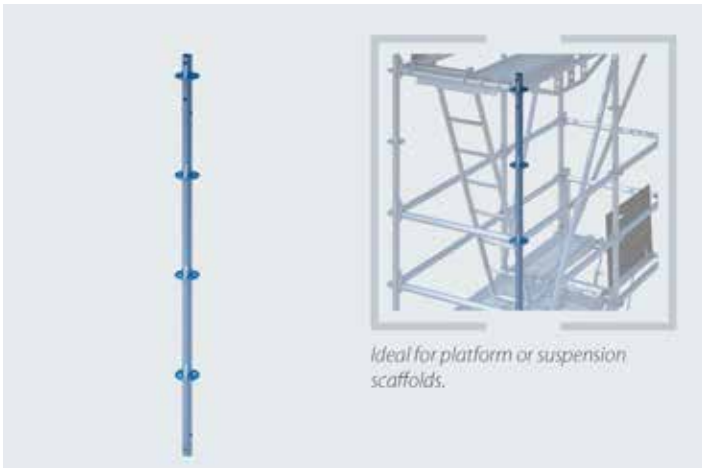
Info	H/L x B (m)	kg	Pack	Part No.	€/each
Without drill hole	0.26	1.50	250	E04RS0002	10.30
With drill hole	0.43	2.50	250	E04RS0580	18.40 ①



Standard with tube connector

Steel, hot dip galvanized, ring distance 0.5 m. Drilled at top and bottom.

Info	H/L x B (m)	kg	Pack	Part No.	€/each
	0.50	3.00	300	E04RS0005	18.10
	1.00	5.40	150	E04RS0030	23.20
	1.50	7.70	75	E04RS0055	33.00
	2.00	10.00	75	E04RS0071	37.90
	2.50	12.40	75	E04RS0225	51.70
	3.00	14.80	75	E04RS0096	56.20
	4.00	19.30	75	E04RS0107	72.00



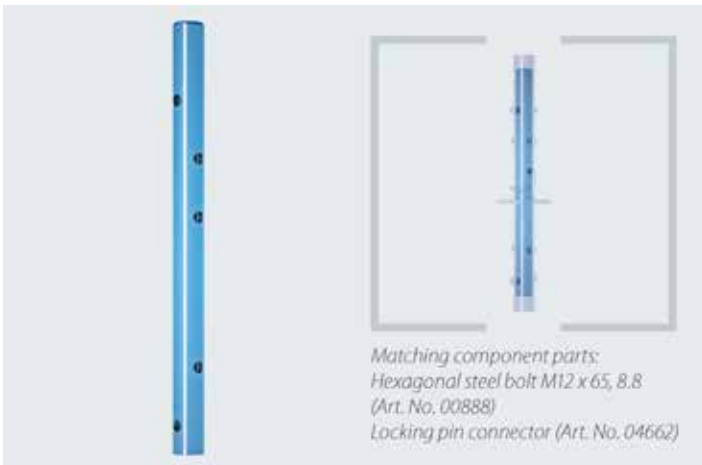
Standard without tube connector for platform and suspension scaffolds

Standard for the uppermost level in platform and suspension scaffolds. For the assembly of a level, large-sized working area without any disturbing, protruding tube connectors. Can be used with a separate tube connector like a normal standard. 5 x drill holes (top 2 holes, bottom 3 holes).

Info	H/L x B (m)	kg	Pack	Part No.	€/each
Only drilled 2x	0.50	2.40	300	E04RS0006	18.10
	1.00	4.80	150	E04RS1033	23.20
	1.50	7.20	75	E04RS1034	33.00
	2.00	9.60	75	E04RS1035	37.90
	2.50	12.00	75	E04RS1036	51.70
	3.00	14.40	75	E04RS1037	56.20
	4.00	19.20	75	E04RS1038	72.00



Ideal for platform or suspension scaffolds.



Tube connector for standards without tube connector (for suspension scaffolds)

Is used especially for suspension scaffolds together with standards without tube connectors. Max. tensile strength: 56 kN. Comes with 5 drill holes, incl. 2 steel bolts and nuts M12 x 65, 8.8 (for standards E04RS1033 - E04RS1038).

Info	H/L x B (m)	kg	Pack	Part No.	€/each
	0.52	1.70	50	E04RS0895	9.95



*Matching component parts:
Hexagonal steel bolt M12 x 65, 8.8
(Art. No. 00888)
Locking pin connector (Art. No. 04662)*

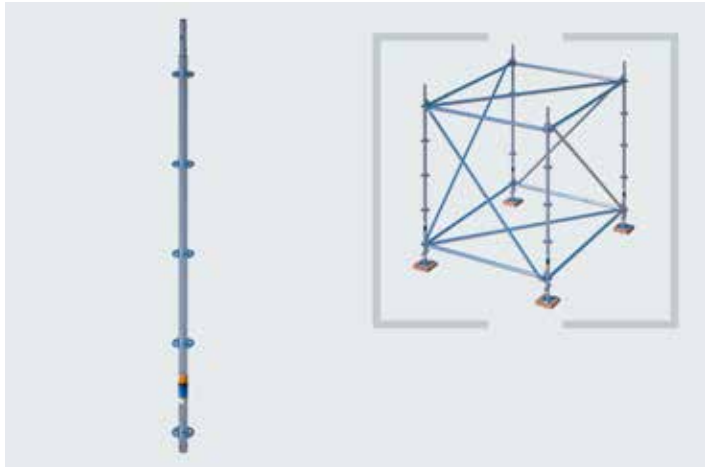


Matching component parts:
Hexagonal steel bolt M12 x 65, 8.8
(Art. No. 00888)
Locking pin connector (Art. No. 04662)

Tube connector for standards without tube connector

To upgrade the standards without tube connector by means of a screw connection. 240 mm, angular, incl. bolt and nut.

Info	H/L x B (m)	kg	Pack	Part No.	€/each
	0.24	0.70	10	E04RS0112	6.90



Starter standard

Comes with tube connector and 5 rings.

Used for crane-lift scaffold sections also in combination with scaffold stairways.

Info	H/L x B (m)	kg	Pack	Part No.	€/each
	2.20	11.20	75	E04RS1451	54.80

NEW

SMART DETAILS



Tensile strength – Standard lead-off adapters are not required when starter standards are used. The first rings are positioned at appropriately low positions and ensure a tight connection.



Crane transport – Several units can be pre-assembled and combined with one another by crane. Disassembly is equally simple.

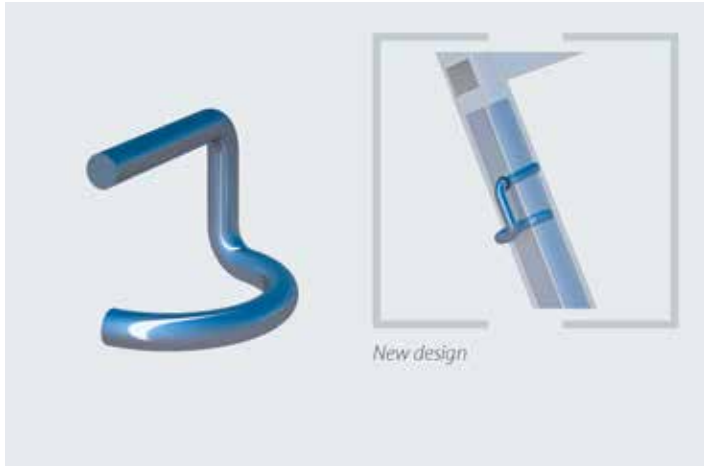


Hexagonal steel bolt M12 x 65, 8.8

4 pieces are needed for each tube connector to enable a tight and pressure-resistant lattice girder connection. Suitable for all lattice girders and tube connector models as well as for passage frame standards in the RUX SUPER system. Price includes nut.

H/L x B (m)	kg	Pack	Part No.	for order volume of:			€/each		
0.07	0.10	100	00888	1:	0.60	10:	0.50	100:	0.40

SNP

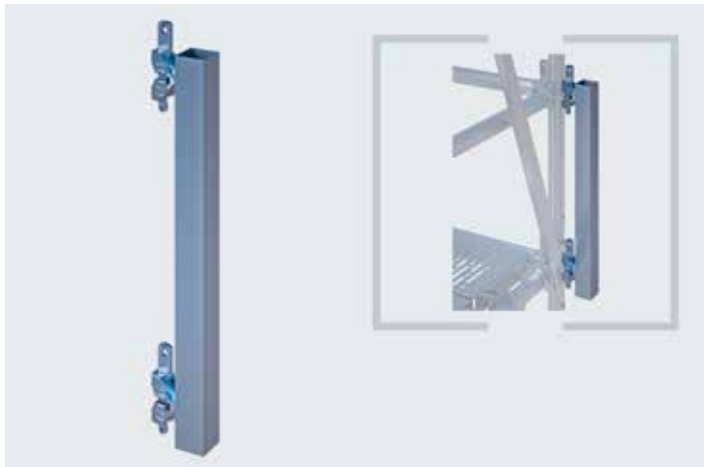


Locking pin

The quick alternative to the metal bolt when using tube connectors. Made out of galvanised, zinc-coated steel wire, Ø 9 mm.

H/L x B (m)	kg	Pack	Part No.	for order volume of: €/each		
0.01	0.10	200	07134	1:	0.98	50: 0.86 100: 0.79

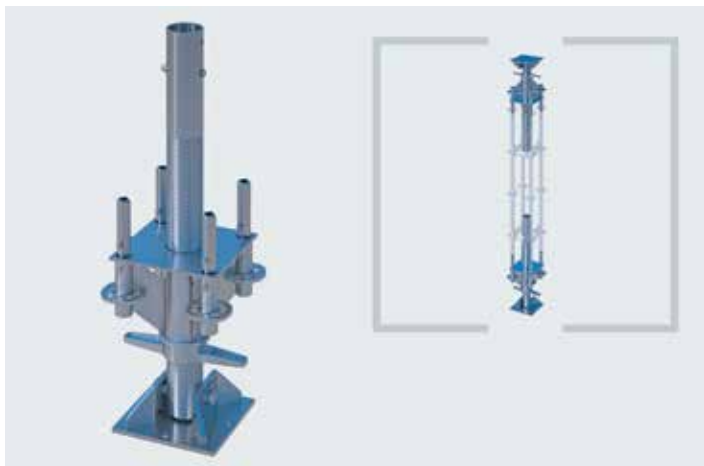
SNP



Standard coupler

For the tight and pressure-resistant connection of individual modular scaffold standards to one another. Particularly suitable for suspension scaffolds or when moving or transporting pre-mounted scaffold modules. Additional safety when wind forces are higher. Fitting takes place by wedge head, screw-free.

Info	H/L x B (m)	kg	Pack	Part No.	€/each
48,3 mm Round tube	0.50	3.60	24	E04RS1046	23.90



Heavy-duty spindle

Ideal addition when assembling heavy-duty props out of RINGSCAFF components. Load-bearing capacity up to 270 kN. This individual special component part opens up new application possibilities for heavy-duty shoring solutions.

Info	H/L x B (m)	kg	Pack	Part No.	€/each
		59.60	1	E02RS0021	357.00

NEW

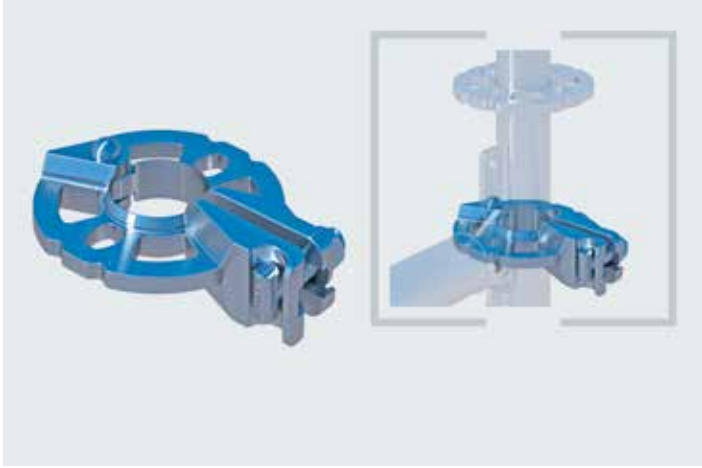
SMART DETAILS



Combinable – Modular props can be easily combined with one another so as to allow for much higher load take-up. Each spindle can be extended (unthreaded) by up to 0.625 m i.e. a total of 1.25 m.

Modular – The modular props are connected with one another using standard 0.25 m ledgers and fitted up to a maximum height of 11.00 m.





Perforated ring with T-head bolt, (high-speed thread)

This multifunctional ring greatly enhances the variability of the RINGSKAFF modular scaffolding or compatible systems. It enables the attachment of ledgers and other horizontal elements with wedge head at any point on the scaffold standard or scaffold tube. Connection is possible at any angle. In this way the scaffolding can be ideally adjusted to suit the structure of the building. Rapid attachment thanks to the T-head bolt with high-speed thread and collar nut.

Info	H/L x B (m)	kg	Pack	Part No.	€/each
AF 19		1.26	500	E04RS1517	22.90
AF 22		1.26	500	E04RS1032	22.90



Tubular ledger – RX metric

Force-fit, screw-free connection of ledger and standard. Compatible with all customary scaffolding systems, with wedge head principle.

Info	H/L x B (m)	kg	Pack	Part No.	€/each
	0.25	1.40	300	E04RS0504	15.50
	0.33	1.70	300	E04RS1097	16.50
For brackets	0.39	1.90	300	E04RS0505	16.50
	0.50	2.20	300	E04RS0834	16.50
	0.67	3.50	300	E04RS0483	17.50
	1.00	4.00	300	E04RS0324	20.80
	1.25	4.70	300	E04RS0148	23.20
	1.50	5.80	150	E04RS0121	25.50
	2.00	7.60	150	E04RS0122	29.90
	2.50	9.50	150	E04RS0123	34.70
	3.00	11.40	150	E04RS0124	39.20



Tubular ledger – PC

Force-fit, screw-free connection of ledger and standard. Compatible with all customary scaffolding systems, with wedge head principle.

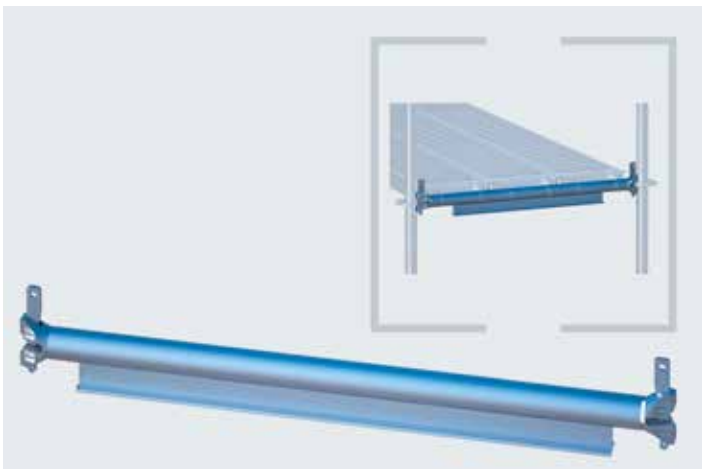
Info	H/L x B (m)	kg	Pack	Part No.	€/each
	0.25	1.40	300	E04RS0504	15.50
	0.33	1.70	300	E04RS1097	16.50
	0.50	2.20	300	E04RS0834	16.50
	0.74	3.20	300	E04RS0265	17.90
	0.75	3.60	300	E04RS0110	17.90
	1.10	4.10	200	E04RS0221	21.50
	1.50	5.80	150	E04RS0121	25.50
	2.00	7.60	150	E04RS0122	29.90
	2.50	9.50	150	E04RS0123	34.70
	3.00	11.40	150	E04RS0124	39.20



Tubular ledger – LA 07 dimension

Force-fit, screw-free connection of ledger and standard. Compatible with all customary scaffolding systems, with wedge head principle.

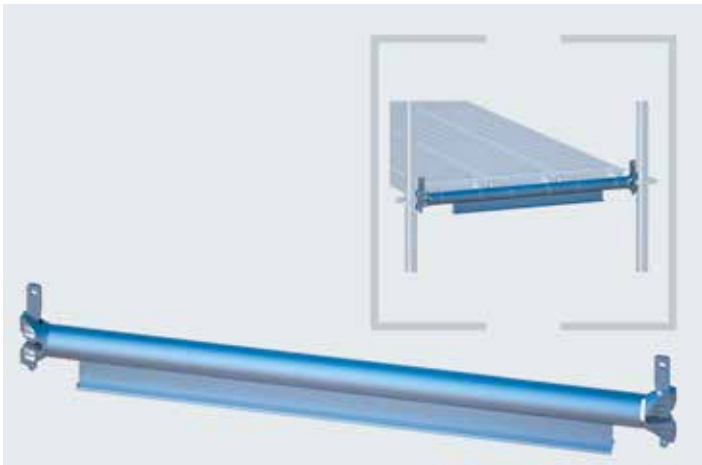
Info	H/L x B (m)	kg	Pack	Part No.	€/each
	0.25	1.40	300	E04RS0504	15.50
	0.33	1.70	300	E04RS1097	16.50
For brackets	0.39	1.90	300	E04RS0505	16.50
	0.50	2.20	300	E04RS0834	16.50
	0.73	3.50	300	E04RS0011	17.80
	1.09	4.10	200	E04RS0033	21.30
	1.40	5.70	150	E04RS0047	26.10
	1.57	6.40	150	E04RS0058	26.10
	2.07	8.40	150	E04RS0074	30.50
	2.57	10.00	150	E04RS0086	34.70
	3.07	11.70	150	E04RS0099	39.20



Tubular ledger reinforced – RX metric

The T-profile welded-on to the tube longitudinally allows a much greater load than the standard tubular ledger and considerably reduces the degree of sag. Frequently used in industrial applications in combination with steel decks.

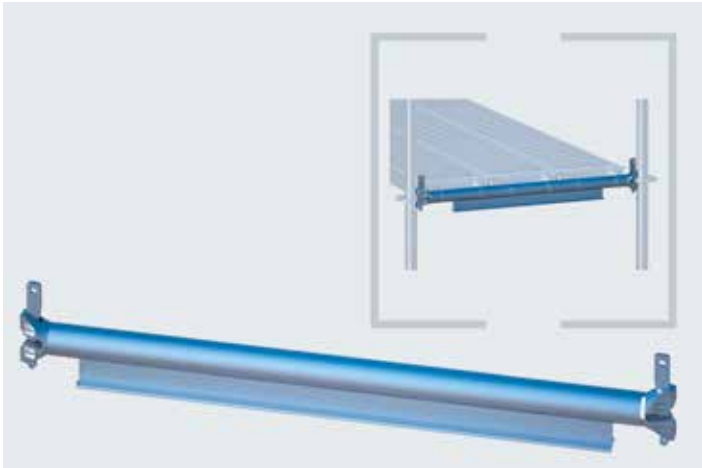
Info	H/L x B (m)	kg	Pack	Part No.	€/each
	1.00	5.40	60	E04RS0488	33.20
	1.50	10.10	60	E04RS0654	44.50
	2.00	10.50	60	E04RS0584	49.80



Tubular ledger reinforced – PC

The T-profile welded-on to the tube longitudinally allows a much greater load than the standard tubular ledger and considerably reduces the degree of sag. Frequently used in industrial applications in combination with steel decks.

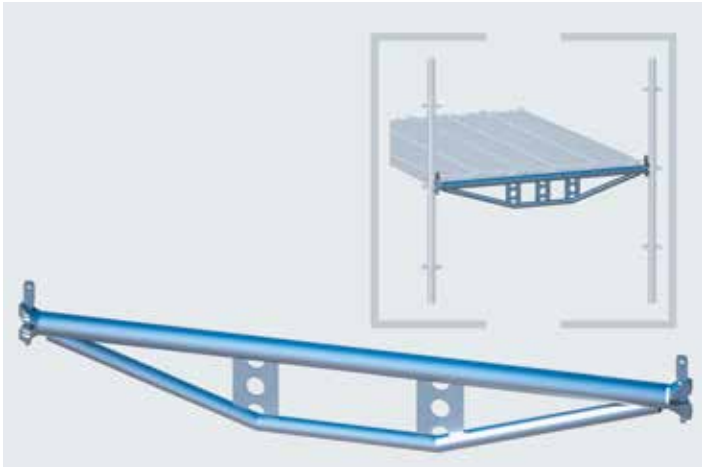
Info	H/L x B (m)	kg	Pack	Part No.	€/each
	1.00	5.40	60	E04RS0488	33.20
	1.50	10.10	60	E04RS0654	44.50
	2.00	10.50	60	E04RS0584	49.80



Tubular ledger reinforced – LA 07 dimension

The T-profile welded-on to the tube longitudinally allows a much greater load than the standard tubular ledger and considerably reduces the degree of sag. Frequently used in industrial applications in combination with steel decks.

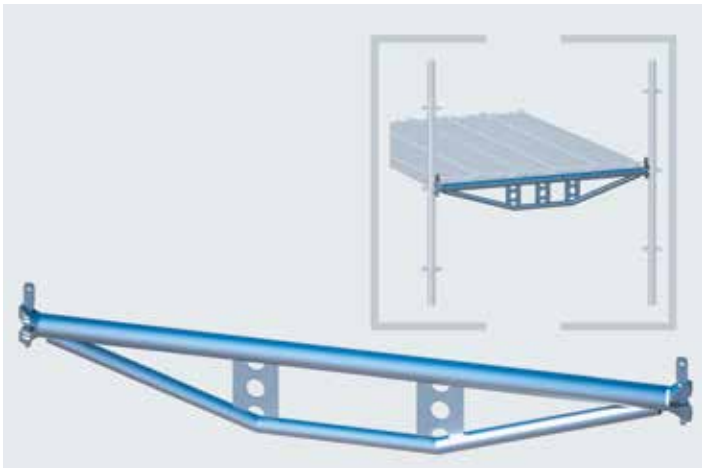
Info	H/L x B (m)	kg	Pack	Part No.	€/each
	1.09	7.40	60	E04RS0651	33.20
	1.57	8.10	60	E04RS0655	44.50
	2.07	10.50	60	E04RS0656	49.80



Double tubular ledger – RX metric

The modular ledger for the very highest demands. For use in large-sized platform scaffolds with high loads. Generally used together with steel decks for tube hook-up.

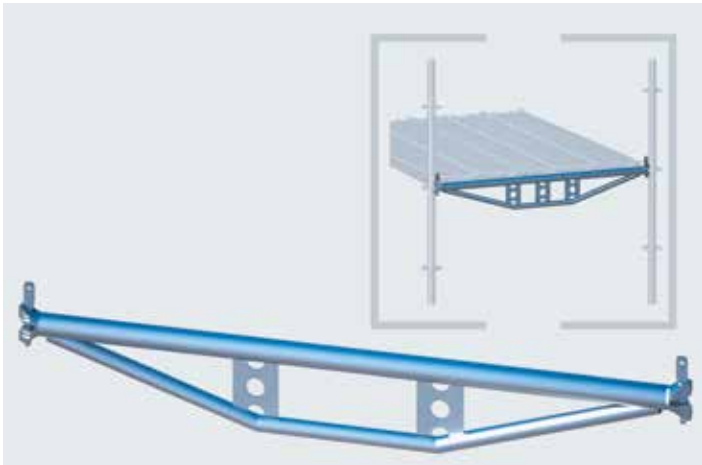
Info	H/L x B (m)	kg	Pack	Part No.	€/each
	1.50	9.60	60	E04RS0144	52.30
	2.00	12.30	60	E04RS0145	65.50
	2.50	15.40	60	E04RS0268	74.50
	3.00	18.00	60	E04RS0269	84.70



Double tubular ledger – PC

The modular ledger for the very highest demands. For use in large-sized platform scaffolds with high loads. Generally used together with steel decks for tube hook-up.

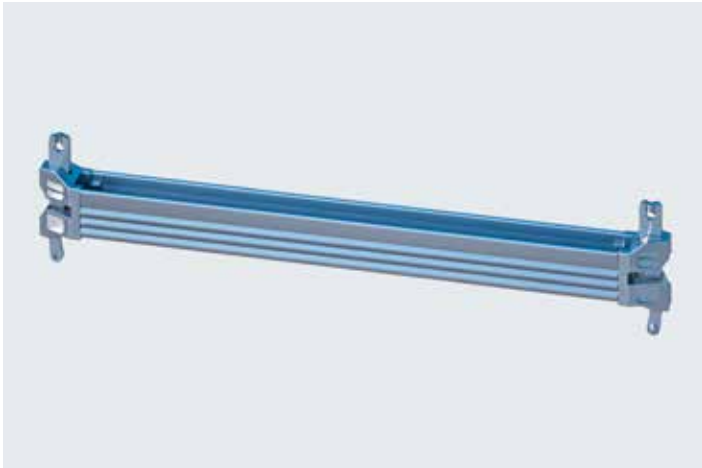
Info	H/L x B (m)	kg	Pack	Part No.	€/each
	1.50	9.60	60	E04RS0144	52.30
	2.00	12.30	60	E04RS0145	65.50
	2.50	15.40	60	E04RS0268	74.50
	3.00	18.00	60	E04RS0269	84.70



Double tubular ledger – LA 07 dimension

The modular ledger for the very highest demands. For use in large-sized platform scaffolds with high loads. Generally used together with steel decks for tube hook-up.

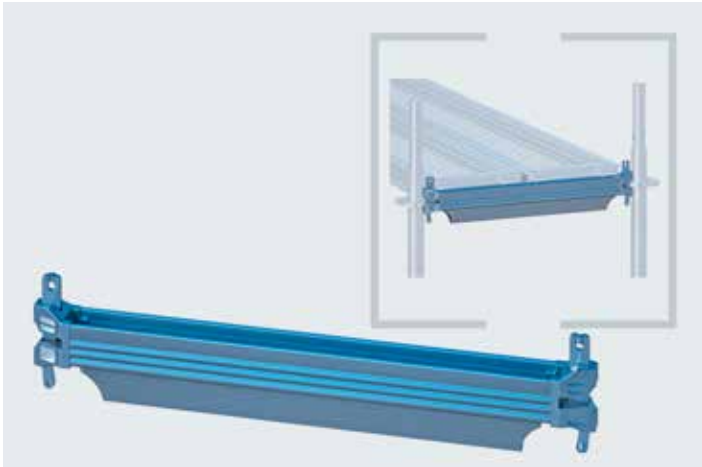
Info	H/L x B (m)	kg	Pack	Part No.	€/each
	1.40	9.10	60	E04RS0231	45.50
	1.57	10.10	60	E04RS0232	52.30
	2.07	12.70	60	E04RS0233	65.50
	2.57	15.80	60	E04RS0234	74.50
	3.07	18.40	60	E04RS0235	84.70



U-shaped ledger – LA 07 dimension

U-shaped modular scaffold ledger for the attachment of system decks from corresponding façade scaffolding systems.

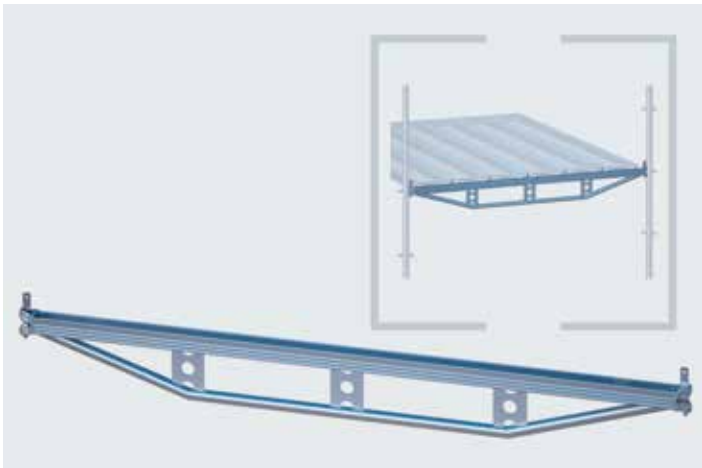
Info	H/L x B (m)	kg	Pack	Part No.	€/each
	0.35	1.70	300	E04RS0686	17.50 ①
	0.45	1.90	300	E04RS0389	19.90
	0.73	3.40	300	E04RS0378	21.10



U-shaped ledger reinforced – LA 07 dimension

U-shaped modular scaffold ledger for the attachment of system decks from corresponding façade scaffolding systems.

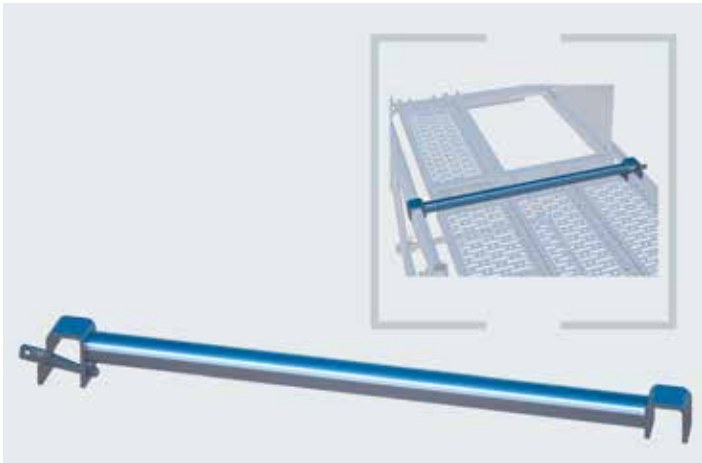
Info	H/L x B (m)	kg	Pack	Part No.	€/each
	1.09	6.20	100	E04RS0379	35.90
	1.40	7.90	100	E04RS0380	43.40



Double U-shaped ledger – LA 07 dimension

The scaffold ledger with high load-bearing capacity and U-shaped profile. Lengths of up to 3.07 m enable the economic and safe assembly of large-sized platform scaffolds with compatible scaffold decks.

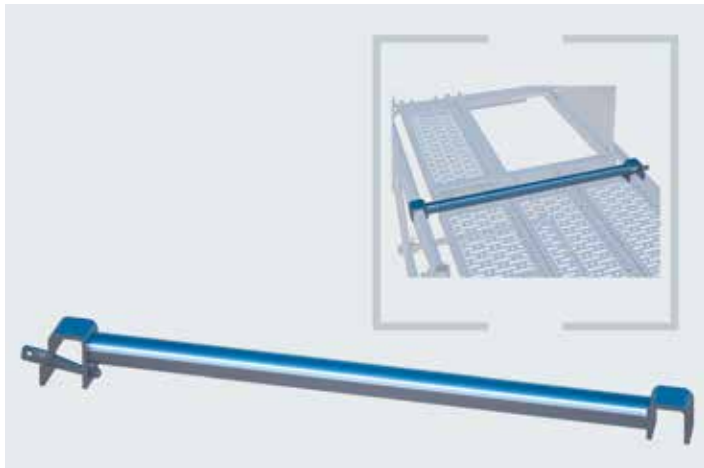
Info	H/L x B (m)	kg	Pack	Part No.	€/each
	1.57	10.10	60	E04RS0392	57.70
	2.07	12.70	60	E04RS0395	69.10
	2.57	15.80	60	E04RS0397	79.80
	3.07	18.40	60	E04RS0399	91.40



Intermediate ledger – RX metric

The intermediate ledger is used in modular or tube/coupler scaffolding to support the decking in the case of long bay lengths. This enhances the load-bearing capacity and the sense of security and reduces the decking elements degree of sag. The ledger is affixed to the scaffold tube by means of the U-shaped profile and secured by wedge on the other side.

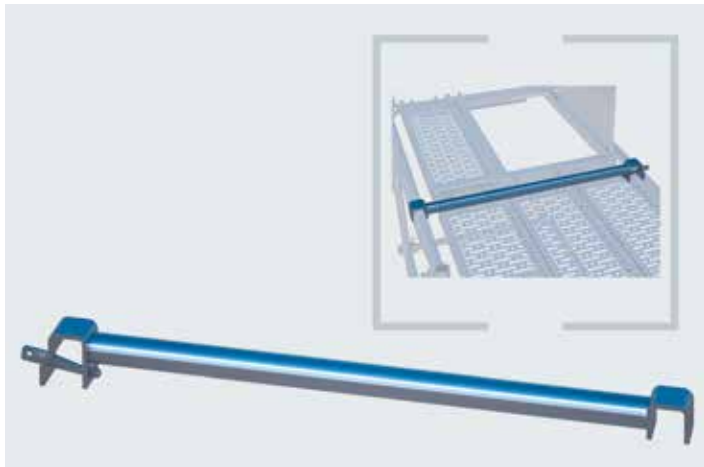
Info	H/L x B (m)	kg	Pack	Part No.	€/each
	0.67	3.40	150	E04RS0482	23.20
	1.00	5.00	150	E04RS0535	25.70 ①
	1.50	7.10	150	E04RS0250	31.00
	2.00	8.10	150	E04RS0251	38.80
	2.50	10.00	150	E04RS0252	44.40 ①
	3.00	12.00	150	E04RS0253	49.50



Intermediate ledger – PC

The intermediate ledger is used in modular or tube/coupler scaffolding to support the decking in the case of long bay lengths. This enhances the load-bearing capacity and the sense of security and reduces the decking elements degree of sag. The ledger is affixed to the scaffold tube by means of the U-shaped profile and secured by wedge on the other side.

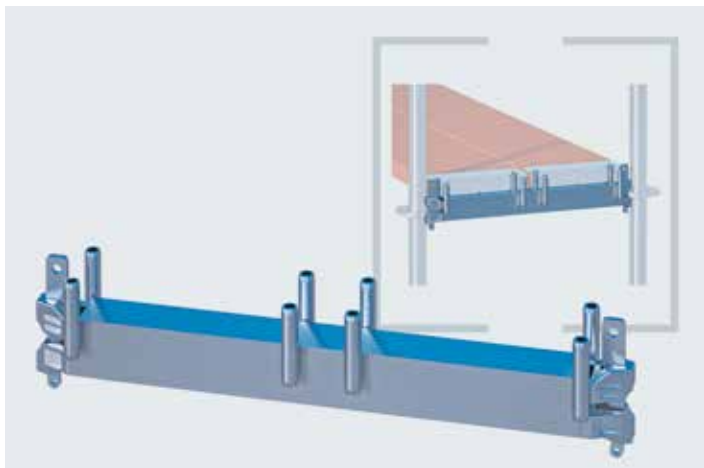
Info	H/L x B (m)	kg	Pack	Part No.	€/each
	1.10	5.10	150	E04RS0249	26.00 ①
	1.50	7.10	150	E04RS0250	31.00
	2.00	8.10	150	E04RS0251	38.80
	2.50	10.00	150	E04RS0252	44.40 ①
	3.00	12.00	150	E04RS0253	49.50



Intermediate ledger – LA 07 dimension

The intermediate ledger is used in modular or tube/coupler scaffolding to support the decking in the case of long bay lengths. This enhances the load-bearing capacity and the sense of security and reduces the decking elements degree of sag. The ledger is affixed to the scaffold tube by means of the U-shaped profile and secured by wedge on the other side.

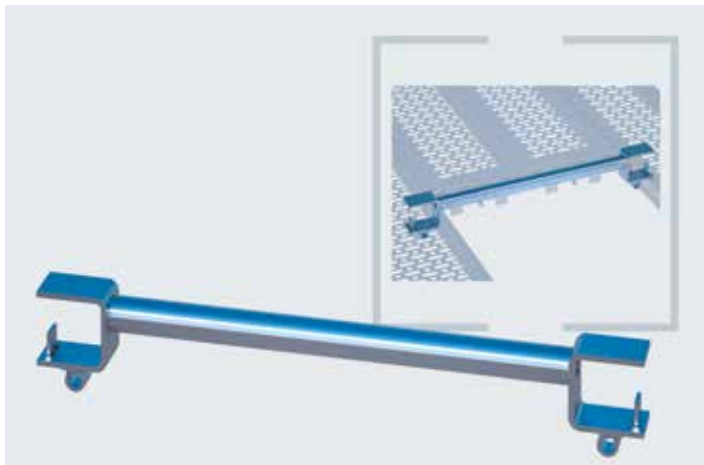
Info	H/L x B (m)	kg	Pack	Part No.	€/each
	0.73	3.60	150	E04RS0020	23.50
	1.09	5.30	150	E04RS0039	25.50
	1.40	9.10	150	E04RS0053	30.50
	1.57	7.20	150	E04RS0067	31.00
	2.07	8.30	150	E04RS0202	38.80
	2.57	10.10	150	E04RS0236	44.40 ①
	3.07	12.10	150	E04RS0237	49.50



Decking ledger – RX metric

Allows the use of decks from the SUPER 65 façade scaffolding in the modular system. This results in considerable efficiency with regard to the utilisation of your material stocks. It helps combine the technical benefits of the modular system with the advantages of façade scaffolding.

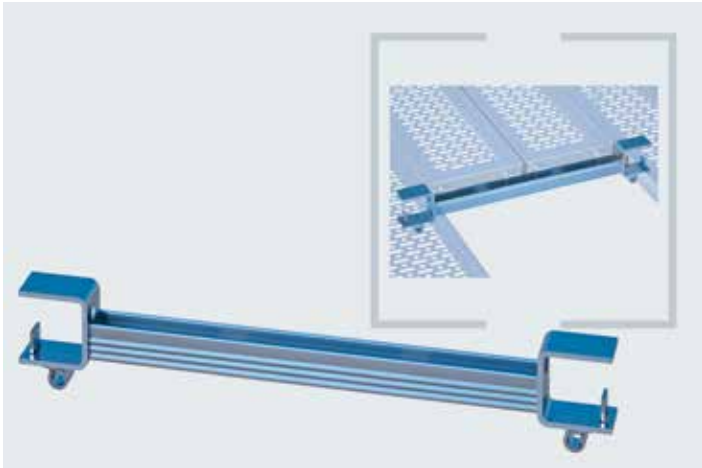
Info	H/L x B (m)	kg	Pack	Part No.	€/each
	0.67	5.35	100	08001	42.00
	1.00	7.74	100	08002	52.50



Access ledger for tube hook-up – RX metric

The access ledger creates openings for staff and material at any place, particularly important in the case of platform or birdcage scaffolds. Mounted between two steel decks. Suitable for decks with tube hook-up or system-independent decks. Combined with an access ladder where appropriate.

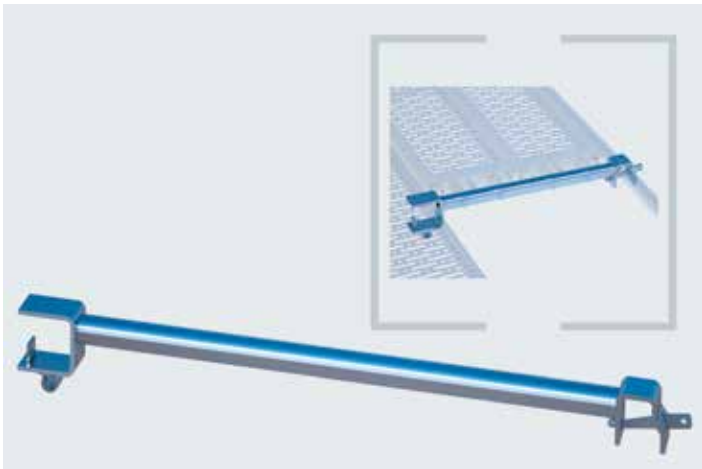
Info	H/L x B (m)	kg	Pack	Part No.	€/each
	0.30	4.40	50	E04RS0371	22.30
	0.62	5.50	50	E04RS0372	26.60



Access ledger for U-shaped hook-up – LA 07 dimension

Function the same as access ledger for tube hook-up, but with a U-shaped profile for use of system decks with U-shaped clamps.

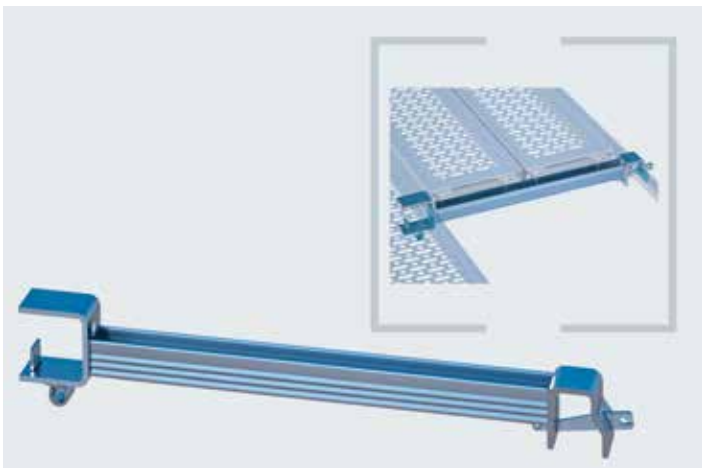
Info	H/L x B (m)	kg	Pack	Part No.	€/each
	0.32	4.10	50	E04RS0547	24.00 ①
	0.64	5.30	50	E04RS0548	32.50 ①



Access ledger COMBI for tube hook-up

The COMBI access ledger fulfils the same purpose as the access ledger but it is designed to be applied between a steel deck and a scaffold tube.

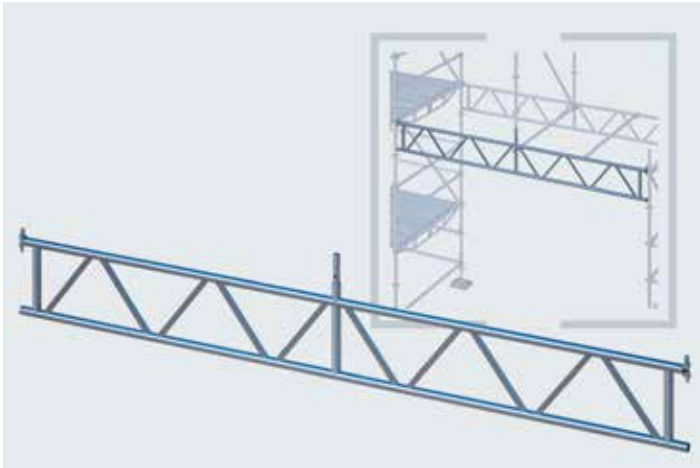
Info	H/L x B (m)	kg	Pack	Part No.	€/each
RX,PC,LA	0.33	2.80	50	E04RS0363	22.30
RX,PC,LA	0.65	4.10	50	E04RS0364	26.60



Access ledger COMBI for U-shaped hook-up – LA 07 dimension

Used just like a COMBI access ledger but with a U-shaped profile for system decks with U-shaped clamps.

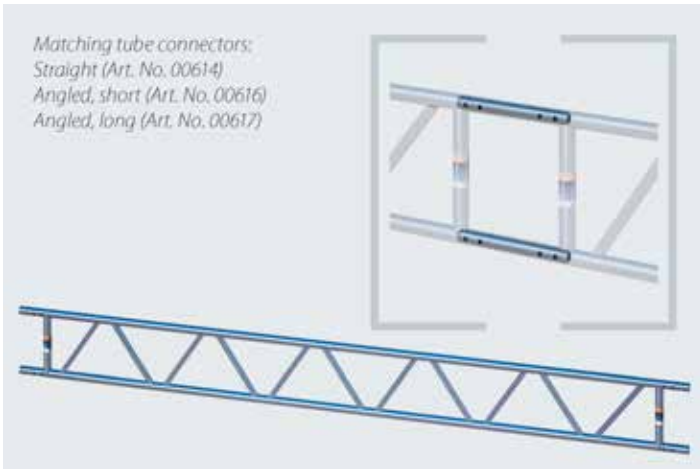
Info	H/L x B (m)	kg	Pack	Part No.	€/each
	0.32	3.00	50	E04RS0544	23.00
	0.64	5.40	50	E04RS0545	27.50 ①



RINGSKAFF lattice girder

Versatile bridging element. Is used whenever large distances within a scaffolding structure have to be bridged e.g. entrance gates, highly-frequented footpaths/pavements, pipelines, streams, porches, etc. Connection to modular rings using wedge heads. Comes with tube connector for modular standards (or vertical frames) so as to be able to continue erecting in the modular dimensions above the lattice girder. Please consult the Load Tables.

Info	H/L x B (m)	kg	Pack	Part No.	€/each
2 x 2,07 m	4.14 x 0.45	43.30	10	E04RS0240	198.00 ①
2 x 2,57 m	5.14 x 0.45	52.60	10	E04RS0241	240.90 ①
2 x 3,07 m	6.14 x 0.45	52.80	10	E04RS0242	273.90 ①
3 x 2,57 m	7.71 x 0.45	79.30	10	E04RS0259	349.00 ①

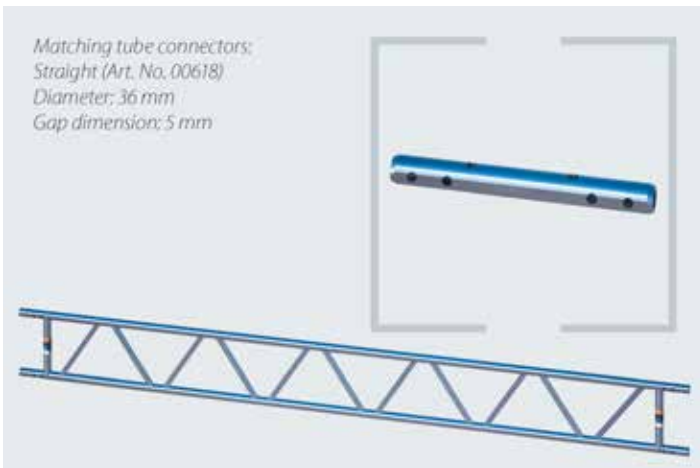


Steel lattice girder 450

System-independent: whether for bridging, birdcage scaffolds, roof structures, platforms – the lattice girder is used in innumerable practical situations. High load-bearing capacity, robust, weather-resistant, durable, Ø 48.3 mm, wall thickness 3.25 mm, installation height 450 mm, axial dimension 400 mm.

H/L x B (m)	kg	Pack	Part No.	for order volume of: €/each		
3.20 x 0.45	30.00	10	00632	1: 115.00	10: 85.00	20: 79.00
4.20 x 0.45	37.00	10	00633	1: 152.00	10: 110.50	20: 98.80
5.20 x 0.45	48.00	10	00634	1: 185.00	10: 136.50	20: 125.60
6.20 x 0.45	61.00	10	00635	1: 212.00	10: 154.50	20: 142.50
7.30 x 0.45	70.00	10	00636	1: 258.00	10: 179.80	20: 166.40
7.80 x 0.45	75.00	10	00637	1: 276.00	10: 196.50	20: 178.70

SNP

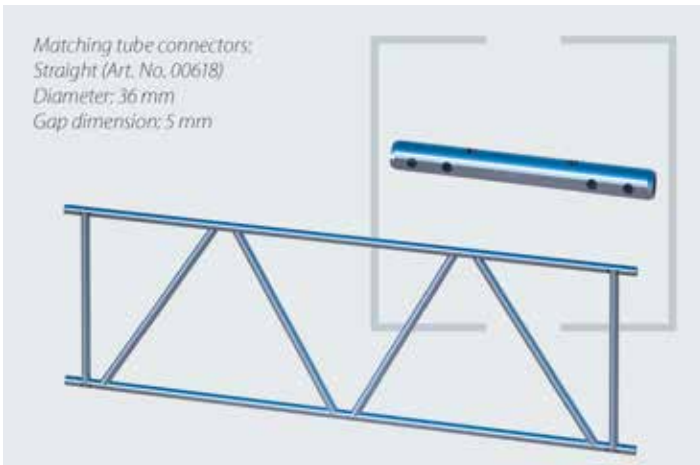


Aluminium lattice girder 450

Ø 48,3 mm, wall thickness 4 mm, axial dimension 400 mm. More than 50 % weight saving compared to steel lattice girders. So distinct advantages in terms of transport, handling and assembly. System-independent, high load-bearing capacity, robust, weather-resistant, durable.

H/L x B (m)	kg	Pack	Part No.	for order volume of: €/each		
3.20 x 0.45	13.00	10	00982	1: 145.00	10: 113.00	20: 99.80
4.20 x 0.45	17.00	10	00983	1: 188.00	10: 142.00	20: 132.50
5.20 x 0.45	21.00	10	00984	1: 219.00	10: 168.00	20: 155.00
6.20 x 0.45	25.00	10	00985	1: 259.50	10: 196.50	20: 180.50
8.20 x 0.45	33.00	10	00986	1: 345.00	10: 258.00	20: 239.00

SNP

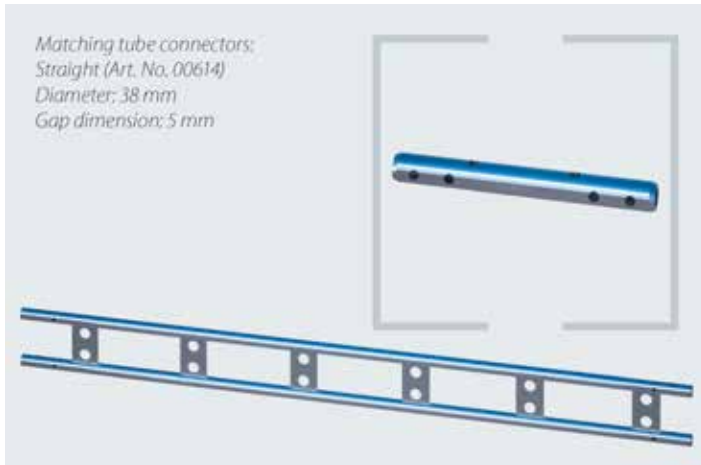


Aluminium lattice girder 1000

More than 50 % weight saving compared to steel lattice girders. So distinct advantages in terms of transport, handling and assembly. Wall thickness 4 mm, Ø 48.3 mm. Low weight. For the take-up of high loads and for the fitting of bridging – yet has a very low weight. Axial dimension 1,000 mm.

H/L x B (m)	kg	Pack	Part No.	for order volume of: €/each		
3.20 x 1.05	16.70	10	07115	1: 215.00	10: 159.00	20: 148.00 ①
4.20 x 1.05	21.90	10	07116	1: 270.00	10: 199.00	20: 185.00 ①
5.20 x 1.05	25.90	10	07117	1: 322.00	10: 235.00	20: 219.00 ①
6.20 x 1.05	30.80	10	07118	1: 382.00	10: 279.00	20: 259.00 ①

SNP



Matching tube connectors:
Straight (Art. No. 00614)
Diameter: 38 mm
Gap dimension: 5 mm

Berlin connector
Tube diameter Ø 48.3 mm.

H/L x B (m)	kg	Pack	Part No.	for order volume of: €/each		
2.00 x 0.21	16.80	10	00816	1: 79.50	10: 55.70	20: 51.70
3.00 x 0.21	25.20	10	00817	1: 112.00	10: 78.40	20: 72.80
5.00 x 0.21	42.00	10	00819	1: 182.00	10: 127.40	20: 118.30

SNP

SMART DETAILS



Working platforms – Inserted tubes as well as fitted cross tubes have exactly the same height – ideal for efficient, high-performance working platforms.



Inner standard – The Berlin connector is easy to handle and can be used as a supporting beam or to strengthen the inner standards.



Subsequently – The low installation height of 21.30 cm enables subsequent fitting within the permissible wall clearance.



Matching component parts:
Tube connector, universal
(Art. No. 08005)
Tube connector with semi-coupler
(Art. No. 00470/00471)

System girder

Applications e.g. pedestrian tunnels. Width and position of the scaffold structure variable. Decks can be fitted to upper or lower chord. Enhanced safety for pedestrians thanks to second decking level. Possible to use as a system girder in metric dimension. Widths: 1.50 m and 2.00 m. Variable lengths for rising frame or modular scaffolding – 07 dimension also possible.

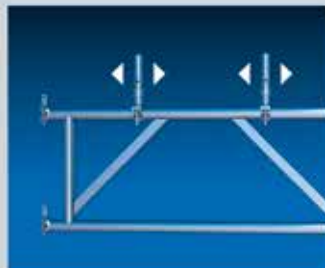
Info	H/L x B (m)	kg	Pack	Part No.	€/each
	1.50 x 0.50	17.60	10	E04RS1223	109.50
	2.00 x 0.50	24.80	10	E04RS1224	137.00

NEW

SMART DETAILS



Combination – RINGSCAFF is the preferred choice whenever public passageways are required. Any frame or modular systems can be used for additional scaffolding structures.

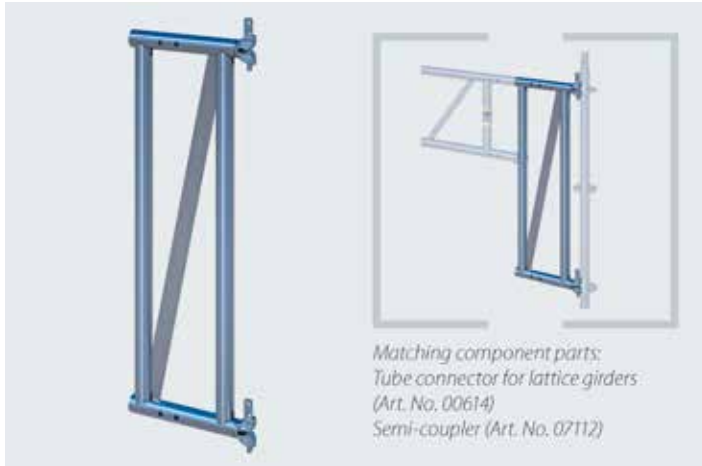


Variable – The width and position of the scaffolding can be variably adjusted.



Inclined – Even structures on inclined surfaces can be easily accomplished.





Matching component parts:
Tube connector for lattice girders
(Art. No. 00614)
Semi-coupler (Art. No. 07112)

Lattice girder adapter, universal

Optimum solution for fitting system-independent lattice girders out of aluminium or steel with an installation height of 450, 750 or 1000 mm into the RINGSKAFF system (example: a 5.20 m-long lattice girder fits into a system dimension of 6.00 m).

When used for:

lattice girder BH 1.000: 2 x 00614

lattice girder BH 450 / 750m: 1 x 00614 and 1 x 07112

Info	H/L x B (m)	kg	Pack	Part No.	€/each
	1.00	12.10	10	07114	61.80



Matching component part:
Tube connector for lattice girders
(Art. No. 00614)

Lattice girder adapter 450

The adapter allows the lattice girders with an installation height of 450 mm to be connected to the RINGSKAFF standards. Fitting by wedge head: no time-consuming coupler connections. The lattice girder's upper chord is precisely aligned with the neighbouring ledger. The load distribution into the scaffolding standards takes place at the axis of the ledger and lattice girder. Axial dimension: 400 mm; installation height: 500 mm

Info	H/L x B (m)	kg	Pack	Part No.	€/each
	0.45 x 0.50	7.00	10	07119	68.40



Matching component parts:
Hexagonal steel bolt M12 x 65, 8.8
(Art. No. 00888)
Locking pin connector (Art. No. 04662)

Tube connector with three drill holes and semi-coupler

For continuous adjustment of the adapter to various lattice girder installation heights.

Info	H/L x B (m)	kg	Pack	Part No.	€/each
AF 19		2.00	10	07112_19	21.20 ①
AF 22		2.00	10	07112_22	21.20 ①



Matching component parts:
Hexagonal steel bolt M12 x 65, 8.8
(Art. No. 00888)
Locking pin connector (Art. No. 04662)

Tube connector for lattice girder, straight

For the tight and pressure-resistant connection of RUX lattice girders for the continuing extension; Ø 38 x 5 mm.

Info	kg	Pack	Part No.	for order volume of: €/each		
L: 370 mm	2.50	20	00614	1: 14.90	10: 12.90	20: 10.90

SNP

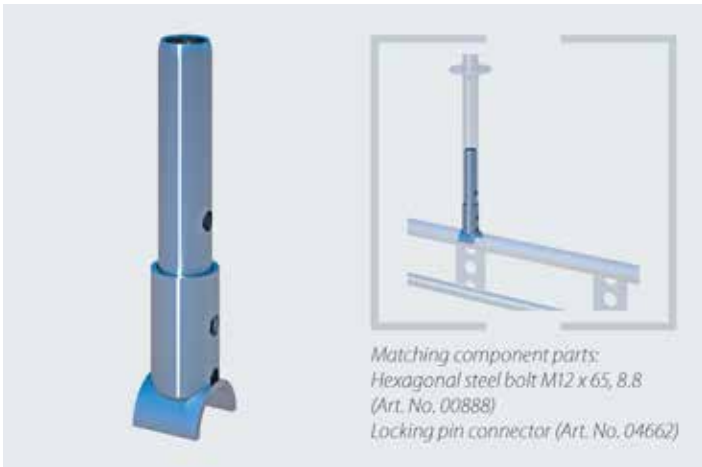


Tube connector with semi-coupler

Universal use. To fit vertical frames, modular standards or scaffold tubes to e.g. lattice girders, triangular supports, vertically-running scaffold tubes, etc. Attached with standard scaffold coupler and connected using standardised tube supports.

Info	kg	Pack	Part No.	for order volume of: €/each		
AF 19	1.80	20	00470	1: 14.00	10: 11.50	20: 9.50
AF 22	1.80	20	00471	1: 14.00	10: 11.50	20: 9.50

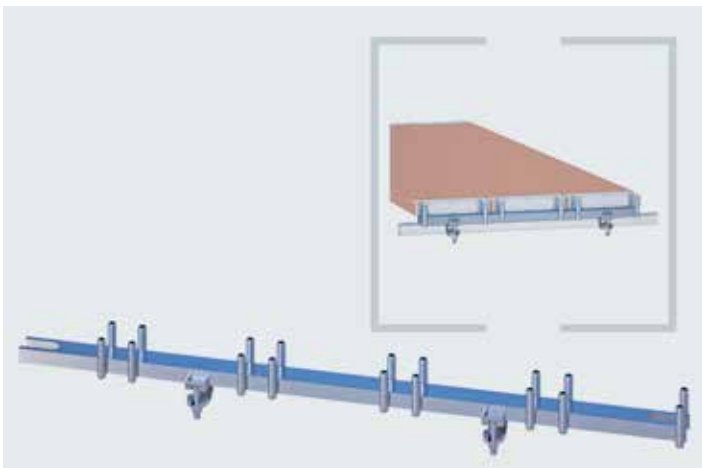
SNP



Tube connector, universal

With semi-round hook-up support. Used for double ledgers, system girders or lattice girders.

Info	H/L x B (m)	kg	Pack	Part No.	€/each
	0.27 x 0.04	0.97	20	08005	18.20 ①

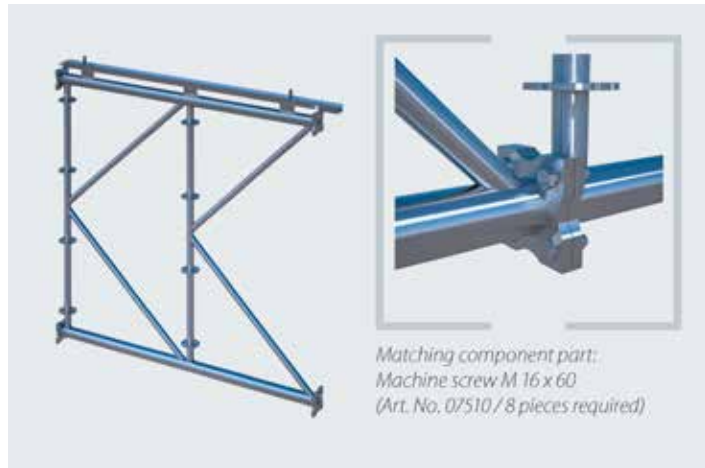


Support rail – RX metric

For the assembly of large-sized or birdcage scaffolds in combination with SUPER decks or ladder frames. Is screw-fastened to lattice girders, tubes or modular ledgers. Enables large span widths without any inconvenient and disturbing standard structures below.

Info	H/L x B (m)	kg	Pack	Part No.	€/each
1 plank 0,29 m	0.35	2.70	50	00629	38.10 ①
2 planks 0,29 m	0.65	3.70	50	00628	41.00
3 planks 0,29 m	1.00	4.40	50	00622	45.00
4 planks 0,29 m +1 plank 0,19 m	1.50	6.00	50	00625	64.00
5 planks 0,29 m +2 plank 0,19 m	2.00	7.60	50	00626	82.00
8 planks 0,29 m	2.50	9.40	50	00623	105.70

Please state AF



Matching component part:
Machine screw M 16 x 60
(Art. No. 07510 / 8 pieces required)

K-Frame

Steel girder for the take-up of extreme loads and large span widths with integrated MULTI-ROOF support for roof cassettes (e.g. Art. No. 01469) and welded-on connection flange. Ring for the attachment of RINGSKAFF ledgers and diagonals.

8 x bolt and nut M16 x 60 incl. 2 x washers are required for each K-Frame. Axial dimension 1,800 mm.

Info	H/L x B (m)	kg	Pack	Part No.	€/each
	2.00 x 1.80	75.70	10	07501	349.00
	3.00 x 1.80	108.60	10	07502	460.00
	6.00 x 1.80	208.40	10	07503	849.00

NEW

SMART DETAILS



Scaffold bridge – K-Frame as the basis for your modular or façade scaffolding saves an enormous amount of time and material quantities. Ideal when the supporting surface is not as it should be.



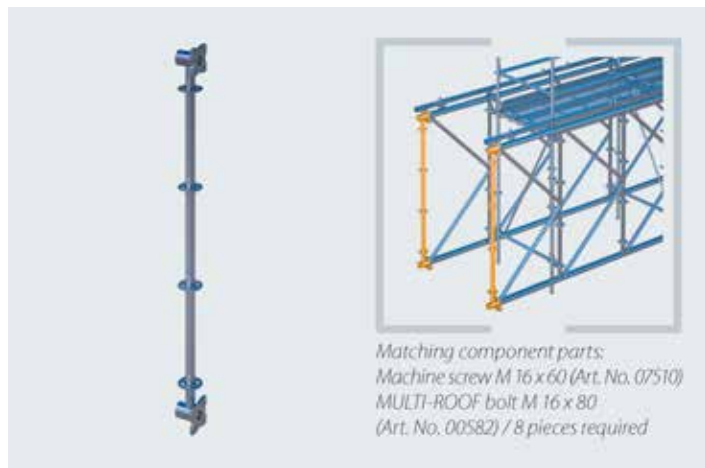
Possibilities – Pedestrian bridges are just another possible field of application for the modular girder.



Few component parts – K-Frame structures are based primarily on components that you already have in use e.g. ledgers, diagonals, Keder tarpaulins or roof cassettes.



MULTI-ROOF – K-Frame is the basic element of the modern modular MULTI-ROOF. The link will inspire you with new ideas.



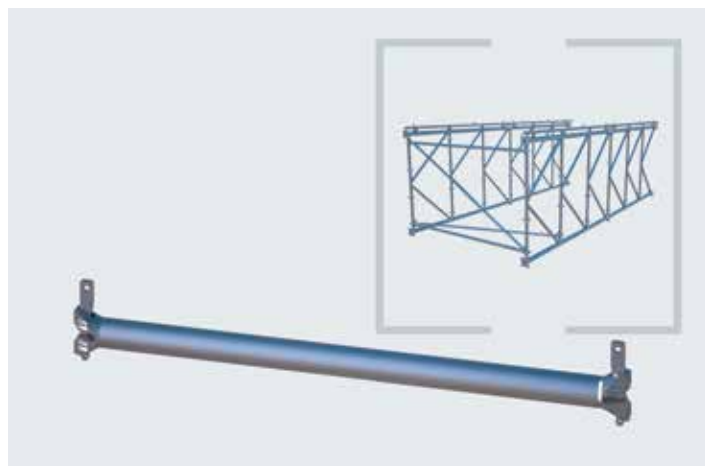
Matching component parts:
Machine screw M 16 x 60 (Art. No. 07510)
MULTI-ROOF bolt M 16 x 80
(Art. No. 00582) / 8 pieces required

K-Frame end section

Comes with 4 rings for the attachment of RINGSKAFF ledgers and diagonals. 8 x bolt and nut M16 x 80 incl. 2 x washers are required for each K-Frame end section. Axial dimension 1,800 mm.

Info	H/L x B (m)	kg	Pack	Part No.	€/each
	1.80	13.90	10	07515	99.40

NEW

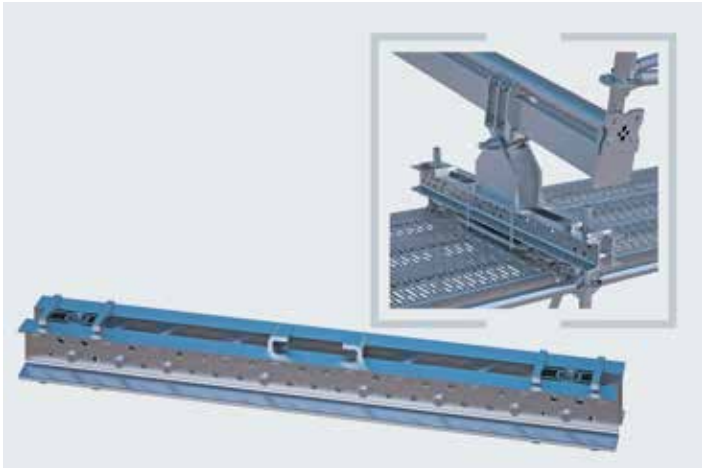


Horizontal diagonal K-Frame/MULTI-ROOF

Comes with welded-on head for attachment to RINGSKAFF rings for bracing/reinforcement and for connecting the K-Frame sections. For K-Frame bridging and MULTI-ROOF protective roofs.

Info	H/L x B (m)	kg	Pack	Part No.	€/each
	2.50 x 1.00	7.70	25	E04RS1319	45.80
	2.50 x 2.00	9.00	25	E04RS1318	49.50

NEW

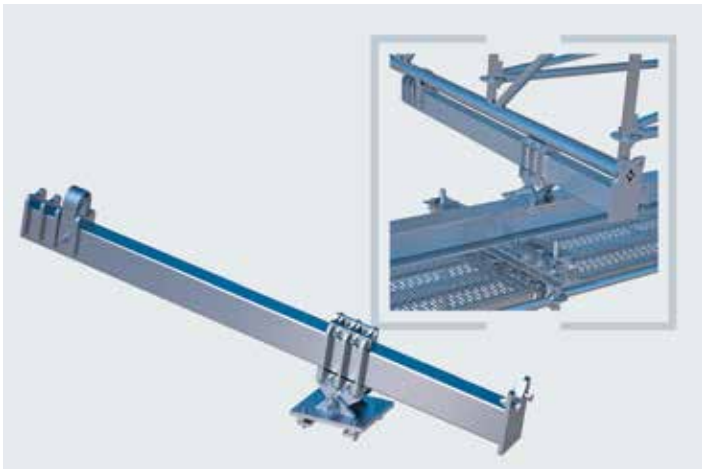


Double U-shaped support, complete

System-independent base support for mounting on the standard tube supports or the frame of the system scaffolding with 1.00 m bay widths. Basic bearing element for the attachment of supports with direct connection to the standard axis. (Art. No. 07530), Basic bearing element for the attachment of HEB girders (Art. No. 07520): bay-length independent, incl. standard attachment and clamp with spacer tube.

Info	H/L x B (m)	kg	Pack	Part No.	€/each
	1.35	38.30	10	07540	299.00

NEW



Support structure (HEB), complete

For the system-independent support of the K-Frames on the HEB support girder (Art. No. 07553).

The support angle of the roof construction can be continually adjusted thanks to the joint on the support. Moreover, the support point of the rectangular tube (reinforcement beam) can be shifted more to the inside or outside depending on the static requirements. The movement of the support in the longitudinal direction of the supporting scaffold is possible irrespective of the bay lengths.

Info	H/L x B (m)	kg	Pack	Part No.	€/each
	1.92	67.10	10	07520	355.00

NEW

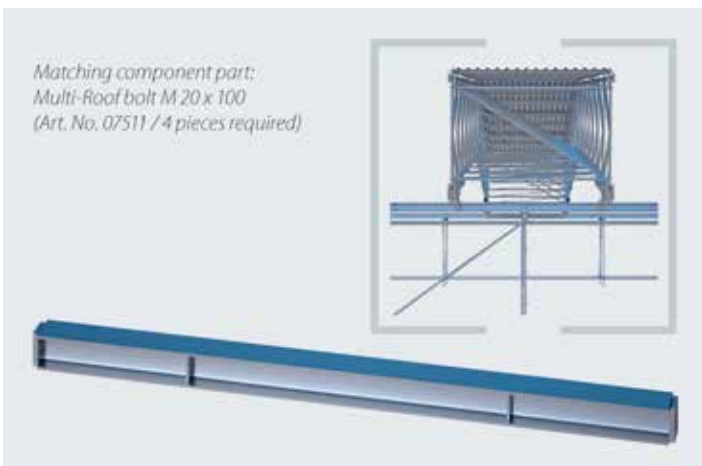


Support structure for direct connection, complete

To mount the double U-shaped support (Art. No. 07540) and for attachment of the K-Frame. The support angle of the roof construction can be continually adjusted by means of the joint. Moreover, the support point of the rectangular tube (reinforcement beam) can be shifted more to the inside or outside depending on the static requirements.

Info	H/L x B (m)	kg	Pack	Part No.	€/each
	1.92	87.90	10	07530	420.00 ①

NEW



HEB support girder

To mount the double U-shaped support (Art. No. 07540) and for attachment of the HEB support structure (Art. No. 07520).

The support can be pushed over the support girder in the longitudinal direction of the supporting scaffold. 4 x bolts M20 x 100 incl. nuts and washers are required (Art. No. 07511) for each HEB support girder.

Info	H/L x B (m)	kg	Pack	Part No.	€/each
	3.00 x 0.16	136.30	10	07553	435.00 ①
	4.00 x 0.16	181.70	10	07554	569.00 ①
	6.00 x 0.16	267.00	10	07556	835.00 ①
	9.00 x 0.16	398.80	10	07559	1,150.00 ①

NEW



MULTI-ROOF bolt M 16 x 60

Incl. 1 nut and 2 washers, for K-Frame bridging and MULTI-ROOF protective roofs. Quality class 8.8.
8 bolts are required for each K-Frame.

Info	H/L x B (m)	kg	Pack	Part No.	€/each
M16 x 60 mm		0.17	50	07510	3.25

NEW



MULTI-ROOF bolt M 16 x 80

For the triple head plate connection resulting from the combination of the fitting of the K-Frame (Art. Nos. 07501, 07502 and 07503), the K-Frame end section (Art. No. 07515) and the reinforcement beam (constituent part of the support structure [Art. Nos. 07520 and 07530]). Incl. washer and nut.
8 bolts are required for each K-Frame to enable this combined fitting.

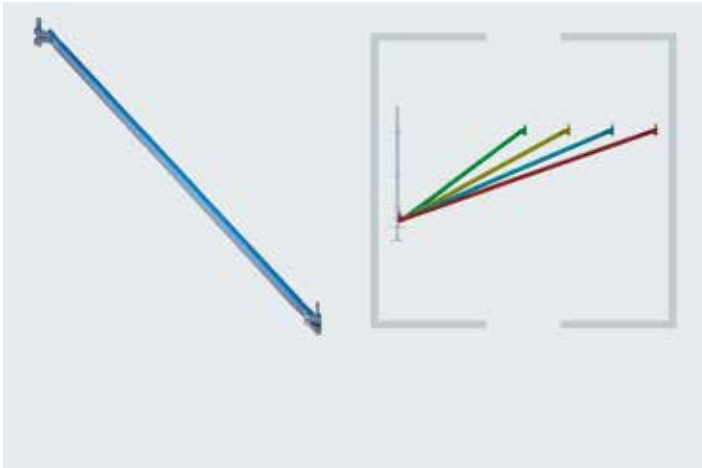
Info	H/L x B (m)	kg	Pack	Part No.	€/each
M16 x 80 mm		0.18	50	00582	2.90



MULTI-ROOF bolt M 20 x 100 for HEB girder

For a force-fit connection and the stringing together of several support girders (e.g. Art. No. 07553). Incl. washer and nut. 4 bolts are required for each connection.

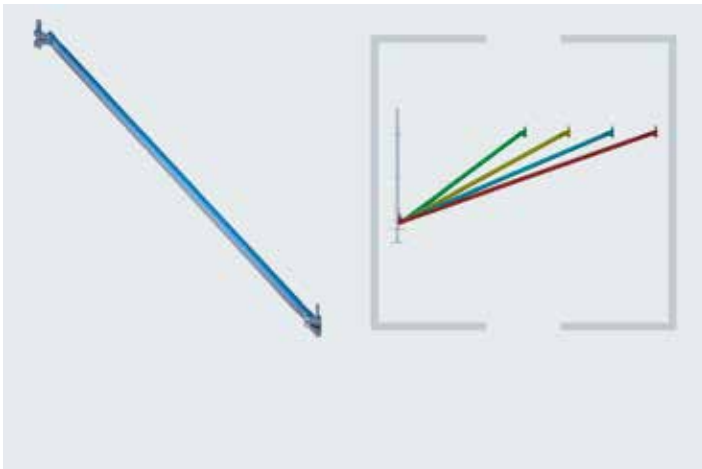
Info	H/L x B (m)	kg	Pack	Part No.	€/each
M20 x 100 mm		0.33	50	07511	12.50



Diagonal 1.0 m – RX metric

Indispensable for the stability and perpendicular assembly of any modular scaffolding structure. Rapid, screw-free attachment over 2 wedge heads. Available for the logical modular dimensions of the RINGSCAFF scaffolding system as well as for compatible alternatives.

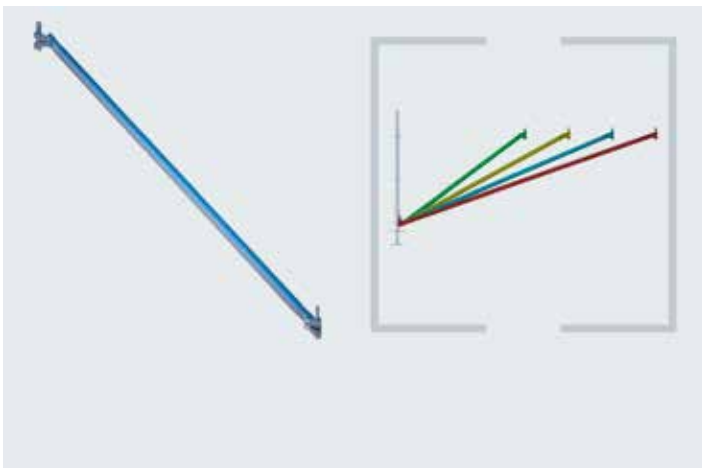
Info	H/L x B (m)	kg	Pack	Part No.	€/each
	1.50 x 1.00	5.70	150	E04RS0287	33.00
	2.00 x 1.00	6.90	150	E04RS0286	36.00
	2.50 x 1.00	8.00	150	E04RS0285	41.40
	3.00 x 1.00	9.60	150	E04RS0315	43.15 ①



Diagonal 1.0 m – PC

Indispensable for the stability and perpendicular assembly of any modular scaffolding structure. Rapid, screw-free attachment over 2 wedge heads. Available for the logical modular dimensions of the RINGSCAFF scaffolding system as well as for compatible alternatives.

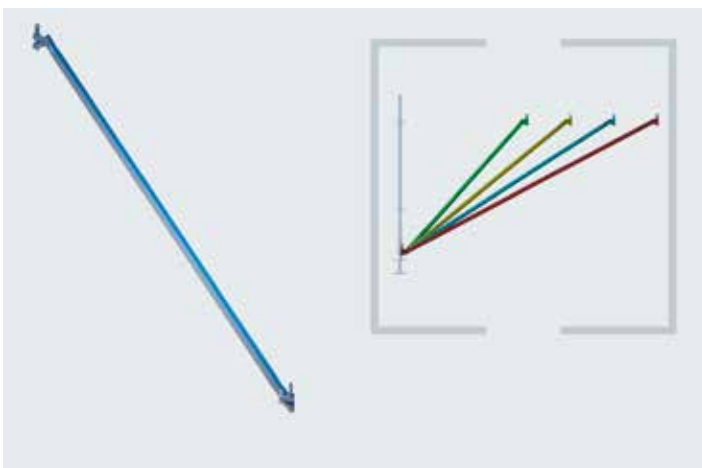
Info	H/L x B (m)	kg	Pack	Part No.	€/each
	1.50 x 1.00	5.70	150	E04RS0287	33.00
	2.00 x 1.00	6.90	150	E04RS0286	36.00
	2.50 x 1.00	8.00	150	E04RS0285	41.40
	3.00 x 1.00	9.60	150	E04RS0315	43.15 ①



Diagonal 1.0 m – LA 07 dimension

Indispensable for the stability and perpendicular assembly of any modular scaffolding structure. Rapid, screw-free attachment over 2 wedge heads.

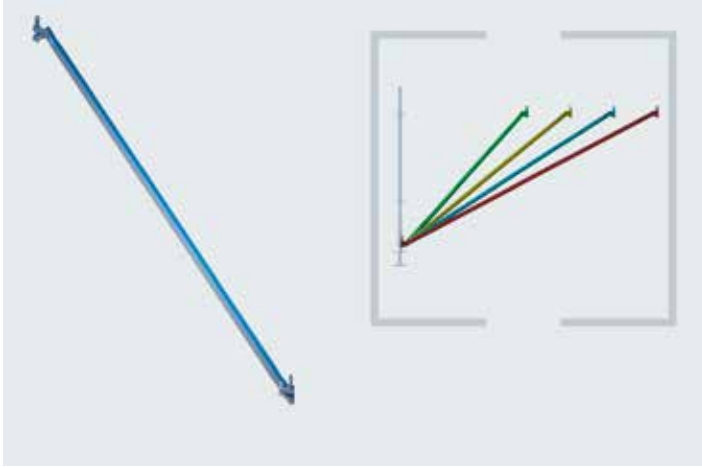
Info	H/L x B (m)	kg	Pack	Part No.	€/each
	1.09 x 1.00	4.90	150	E04RS0328	30.95
	1.40 x 1.00	5.50	150	E04RS0329	35.50
	1.57 x 1.00	5.90	150	E04RS0330	37.40
	2.07 x 1.00	7.10	150	E04RS0331	39.10
	2.57 x 1.00	8.20	150	E04RS0332	39.40
	3.07 x 1.00	9.80	150	E04RS0333	44.70



Diagonal 1.5 m – RX metric

Indispensable for the stability and perpendicular assembly of any modular scaffolding structure. Rapid, screw-free attachment over 2 wedge heads. The length dimensions correspond to the bay lengths. The bay height for all bay lengths is 1.50 m.

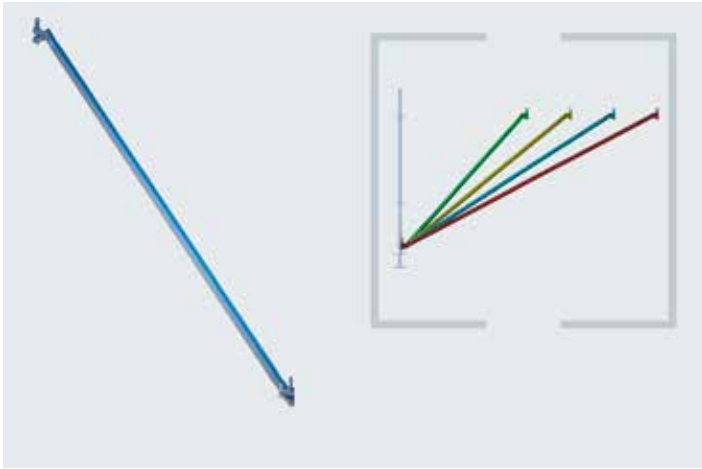
Info	H/L x B (m)	kg	Pack	Part No.	€/each
	1.50 x 1.50	7.50	150	E04RS0323	36.20
	2.00 x 1.50	8.00	150	E04RS0276	37.40
	2.50 x 1.50	9.30	150	E04RS0322	39.80 ①
	3.00 x 1.50	10.30	150	E04RS0316	44.20



Diagonal 1.50 m - PC

Indispensable for the stability and perpendicular assembly of any modular scaffolding structure. Rapid, screw-free attachment over 2 wedge heads. The length dimensions correspond to the bay lengths. The bay height for all bay lengths is 1.50 m.

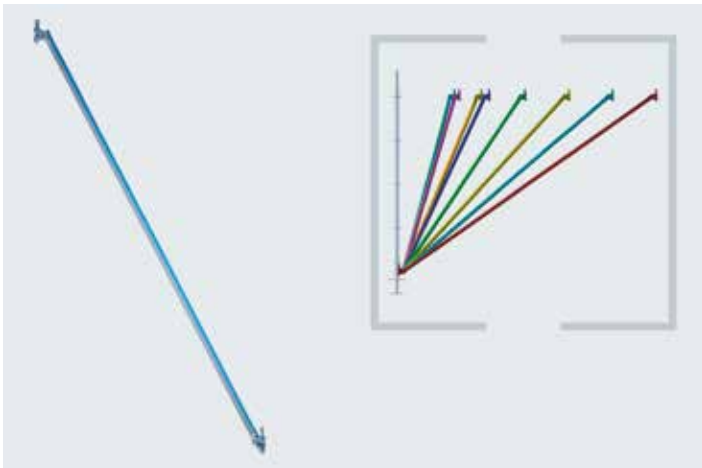
Info	H/L x B (m)	kg	Pack	Part No.	€/each
	1.50 x 1.50	7.50	150	E04RS0323	36.20
	2.00 x 1.50	8.00	150	E04RS0276	37.40
	2.50 x 1.50	9.30	150	E04RS0322	39.80
	3.00 x 1.50	10.30	150	E04RS0316	44.20



Diagonal 1.5 m – LA 07 dimension

Indispensable for the stability and perpendicular assembly of any modular scaffolding structure. Rapid, screw-free attachment over 2 wedge heads. The length dimensions correspond to the bay lengths. The bay height for all bay lengths is 1.50 m.

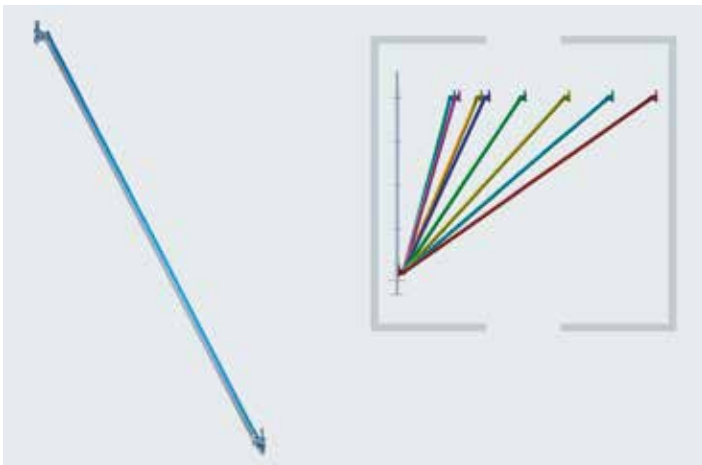
Info	H/L x B (m)	kg	Pack	Part No.	€/each
	1.09 x 1.50	6.80	150	E04RS0334	32.95
	1.40 x 1.50	7.20	150	E04RS0320	34.20
	1.57 x 1.50	7.60	150	E04RS0335	34.90
	2.07 x 1.50	8.20	150	E04RS0336	37.40
	2.57 x 1.50	9.60	150	E04RS0337	39.80
	3.07 x 1.50	10.50	150	E04RS0338	44.20



Diagonal 2.0 m – RX metric

Indispensable for the stability and perpendicular assembly of any modular scaffolding structure. Rapid, screw-free attachment over 2 wedge heads. The length dimensions correspond to the bay lengths. The bay height for all bay lengths is 2.00 m.

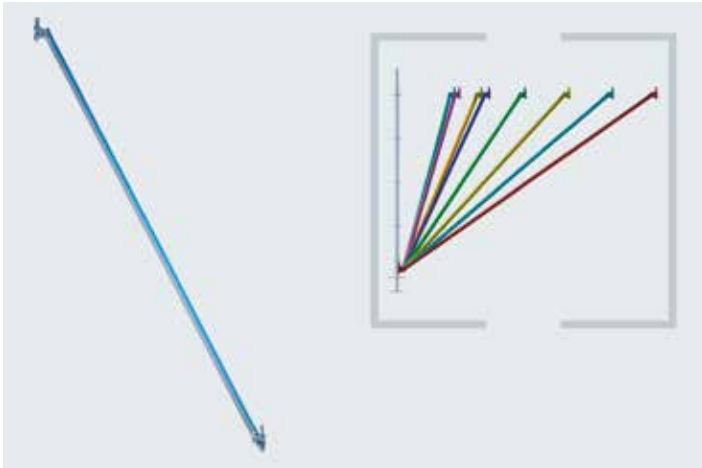
Info	H/L x B (m)	kg	Pack	Part No.	€/each
	0.67 x 2.00	7.20	150	E04RS0486	32.20
	1.00 x 2.00	7.50	150	E04RS0281	35.20
	1.50 x 2.00	8.00	150	E04RS0131	36.50
	2.00 x 2.00	8.90	150	E04RS0134	38.80
	2.50 x 2.00	9.90	150	E04RS0133	40.50
	3.00 x 2.00	11.00	150	E04RS0135	44.20



Diagonal 2.0 m – PC

Indispensable for the stability and perpendicular assembly of any modular scaffolding structure. Rapid, screw-free attachment over 2 wedge heads. The length dimensions correspond to the bay lengths. The bay height for all bay lengths is 2.00 m.

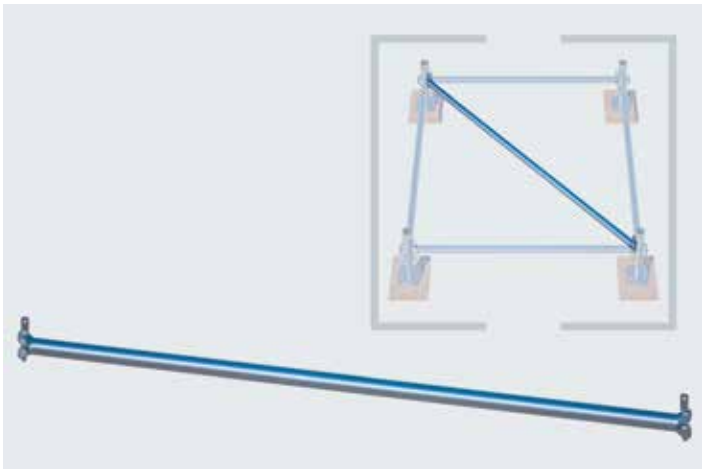
Info	H/L x B (m)	kg	Pack	Part No.	€/each
	0.75 x 2.00	7.30	150	E04RS0213	33.00
	1.10 x 2.00	7.50	150	E04RS0220	35.20
	1.50 x 2.00	8.00	150	E04RS0131	36.50
	2.00 x 2.00	8.90	150	E04RS0134	38.80
	2.50 x 2.00	9.90	150	E04RS0133	40.50
	3.00 x 2.00	11.00	150	E04RS0135	44.20



Diagonal 2.0 m – LA 07 dimension

Indispensable for the stability and perpendicular assembly of any modular scaffolding structure. Rapid, screw-free attachment over 2 wedge heads. The length dimensions correspond to the bay lengths. The bay height for all bay lengths is 2.00 m.

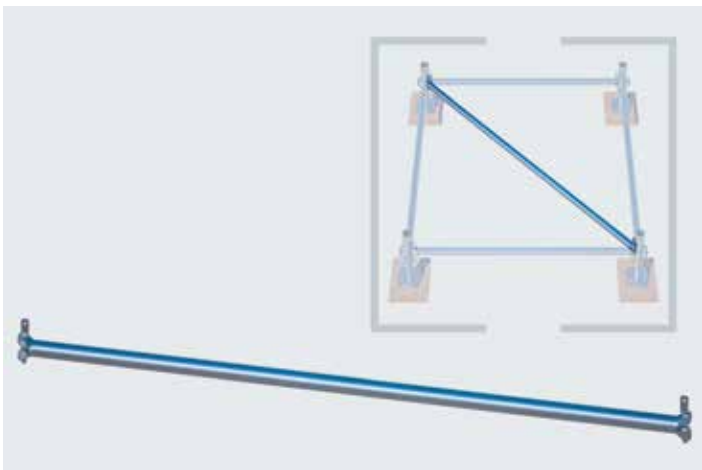
Info	H/L x B (m)	kg	Pack	Part No.	€/each
	0.73 x 2.00	7.20	150	E04RS0017	34.50
	1.09 x 2.00	7.50	150	E04RS0038	36.20
	1.40 x 2.00	8.20	150	E04RS0051	36.70
	1.57 x 2.00	8.10	150	E04RS0065	37.20
	2.07 x 2.00	9.00	150	E04RS0077	38.80
	2.57 x 2.00	10.00	150	E04RS0092	41.50
	3.07 x 2.00	11.00	150	E04RS0102	44.20



Horizontal ledger – RX metric

For square layouts of scaffold structures, often modular towers. Provides stability and torsional rigidity. Affixed by means of the securely welded wedge heads. For RINGSCAFF dimensions and compatible systems. Indispensable for modular towers and props as well as suspended structures.

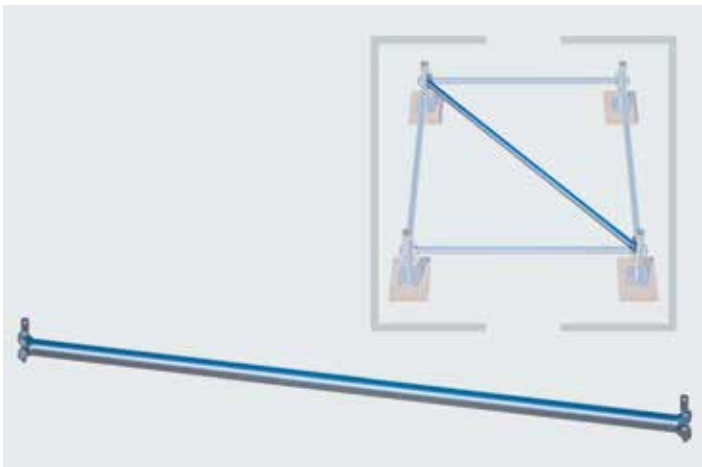
Info	H/L x B (m)	kg	Pack	Part No.	€/each
RX,PC	1.00 x 1.00	4.60	150	E04RS1095	29.00 ①
RX,PC	1.50 x 1.50	6.60	150	E04RS0860	33.00
RX,PC	2.00 x 2.00	8.50	150	E04RS0865	36.00
RX,PC	2.50 x 2.50	10.50	150	E04RS0946	43.30



Horizontal ledger – PC

For square-shaped base layouts of scaffolding structures, often modular towers. Ensures stability and torsional rigidity. Affixed by means of securely welded wedge heads. For RINGSCAFF dimensions and compatible systems. Essential for modular towers and supports as well as for suspended structures.

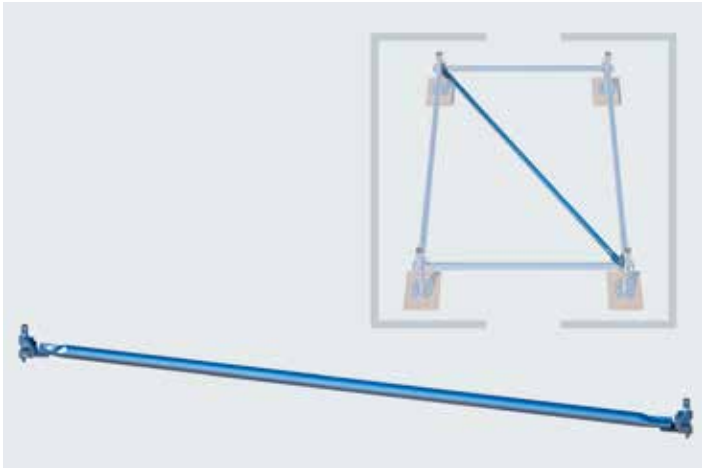
Info	H/L x B (m)	kg	Pack	Part No.	€/each
RX,PC	1.00 x 1.00	4.60	150	E04RS1095	29.00 ①
RX,PC	1.50 x 1.50	6.60	150	E04RS0860	33.00
RX,PC	2.00 x 2.00	8.50	150	E04RS0865	36.00
RX,PC	2.50 x 2.50	10.50	150	E04RS0946	43.30



Horizontal ledger – LA 07 dimension

For square-shaped base layouts of scaffolding structures, often modular towers. Ensures stability and torsional rigidity. Affixed by means of securely welded wedge heads. For RINGSCAFF dimensions and compatible systems. Essential for modular towers and supports as well as for suspended structures.

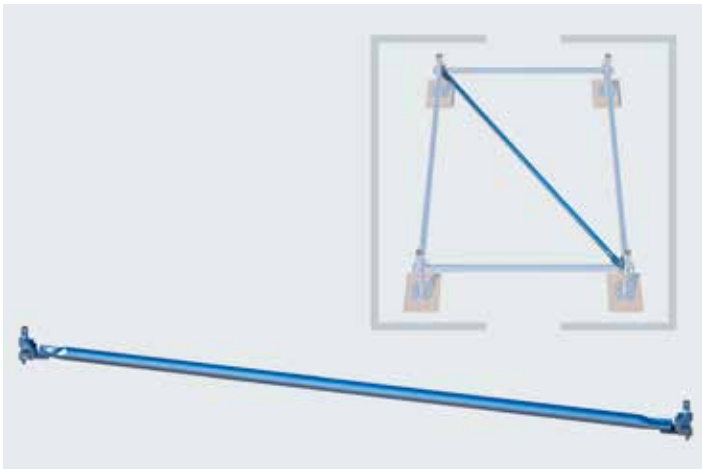
Info	H/L x B (m)	kg	Pack	Part No.	€/each
LA	1.40 x 1.40	6.20	150	E04RS0854	33.00
LA	1.57 x 1.57	6.70	150	E04RS1080	34.00
LA	2.07 x 2.07	8.60	150	E04RS1081	37.50
LA	2.57 x 2.57	10.60	150	E04RS1082	44.80



Horizontal diagonal – RX metric

For square-shaped base layouts of scaffolding structures: modular towers, supports suspended structures. Ensures stability and torsional rigidity. For RINGSKAFF dimensions and compatible systems.

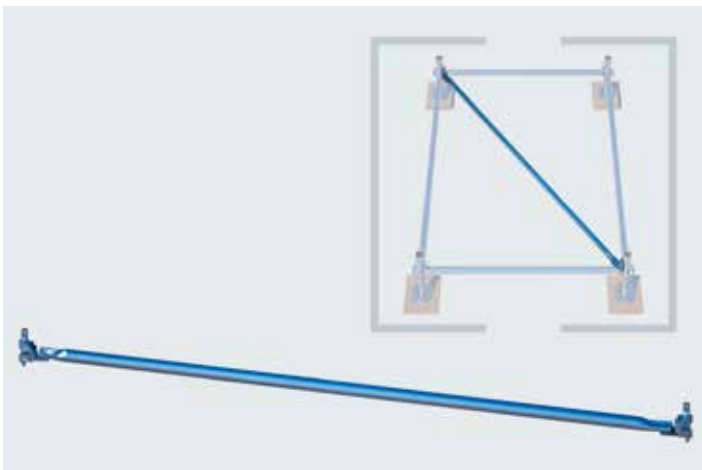
Info	H/L x B (m)	kg	Pack	Part No.	€/each
	1.50 x 1.00	6.20	150	E04RS0857	39.20
	2.00 x 1.00	7.40	150	E04RS0861	41.00
	2.00 x 1.50	8.10	150	E04RS0864	42.70
	2.50 x 1.00	8.60	150	E04RS0970	44.00
	2.50 x 2.00	9.90	150	E04RS1104	43.90
	3.00 x 1.00	9.90	150	E04RS0971	48.00
	3.00 x 2.50	11.50	150	E04RS1103	50.50



Horizontal diagonal – PC

For square-shaped base layouts of scaffolding structures: modular towers, supports suspended structures. Ensures stability and torsional rigidity. For RINGSKAFF dimensions and compatible systems.

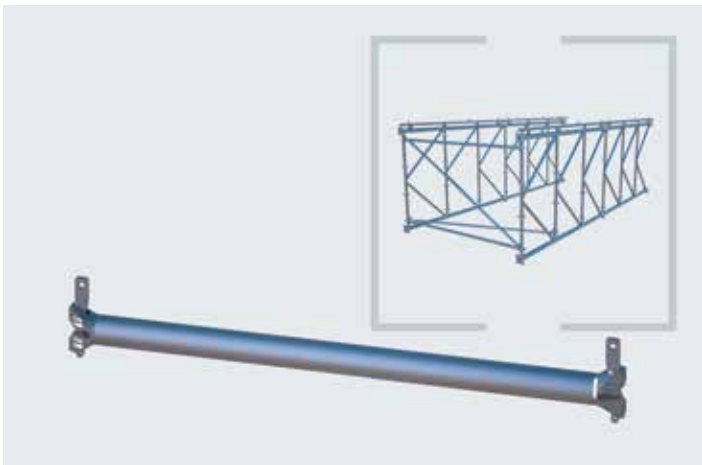
Info	H/L x B (m)	kg	Pack	Part No.	€/each
	1.50 x 1.00	6.20	150	E04RS0857	39.20
	1.50 x 1.10	6.40	150	E04RS0901	39.80
	2.00 x 1.00	7.40	150	E04RS0861	41.00
	2.00 x 1.10	7.50	150	E04RS0862	42.00
	2.00 x 1.50	8.10	150	E04RS0864	42.70
	2.50 x 1.00	8.60	150	E04RS0970	44.00
	2.50 x 2.00	9.90	150	E04RS1104	43.90
	3.00 x 1.00	9.90	150	E04RS0971	48.00
	3.00 x 2.50	11.50	150	E04RS1103	50.50



Horizontal diagonal – LA 07 dimension

For square-shaped base layouts of scaffolding structures: modular towers, supports suspended structures. Ensures stability and torsional rigidity. For RINGSKAFF dimensions and compatible systems.

Info	H/L x B (m)	kg	Pack	Part No.	€/each
	1.40 x 1.10	6.10	150	E04RS0851	39.50
	1.50 x 1.40	6.90	150	E04RS0859	40.80
	2.00 x 1.40	8.00	150	E04RS0863	43.30
	2.07 x 1.09	7.50	150	E04RS0972	42.70
	2.57 x 0.73	8.50	150	E04RS0973	44.80



Horizontal diagonal K-Frame/MUTLI-ROOF

Comes with welded-on head for attachment to RINGSKAFF rings for bracing/ reinforcement and for connecting the K-Frame sections. For K-Frame bridging and MULTI-ROOF protective roofs.

Info	H/L x B (m)	kg	Pack	Part No.	€/each
	2.50 x 1.00	7.70	25	E04RS1319	45.80
	2.50 x 2.00	9.00	25	E04RS1318	49.50

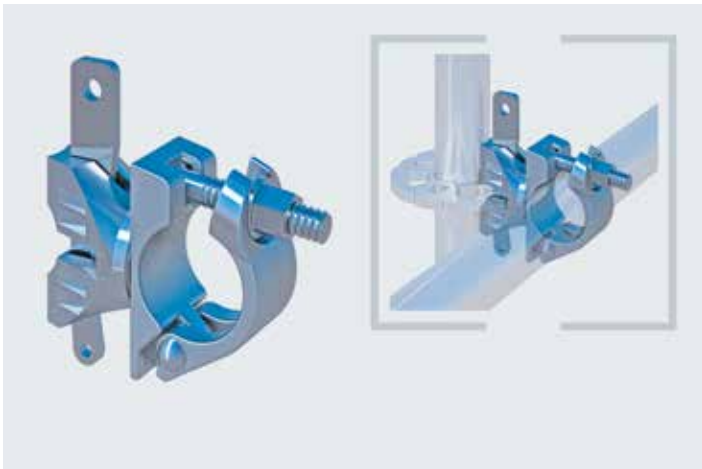
NEW



Wedge head coupler, double cast

To connect two parallel modular standards. Diverse application options e.g. for vertical reinforcement, to join individual scaffold modules to circular structures. Can also be used to secure the standards.

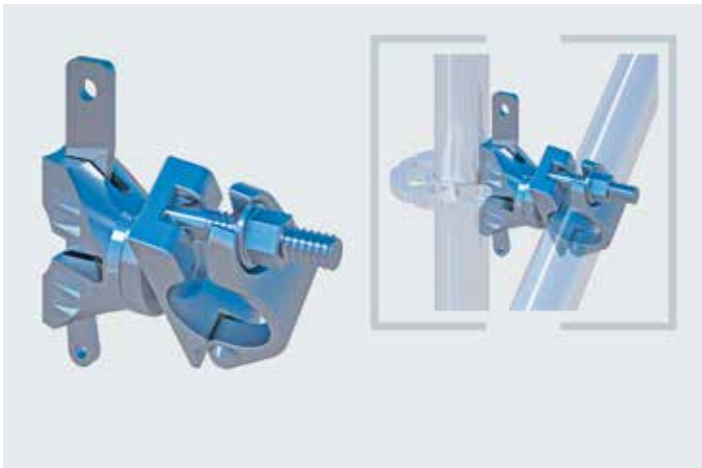
Info	H/L x B (m)	kg	Pack	Part No.	€/each
	0.11	1.10	150	E04RS1337	15.50



Wedge head with semi-coupler, rigid

For the attachment of scaffold tubes and lattice girders to modular standards in the horizontal direction. For the combination of tube and modular scaffolding structures. Can also be used to additionally reinforce modular scaffolding.

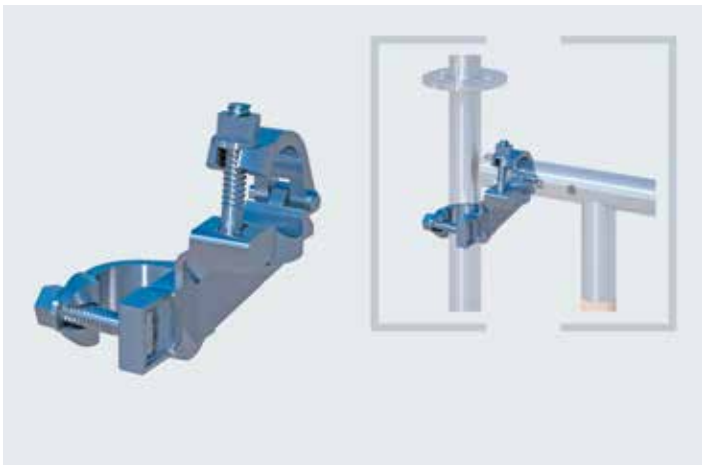
Info	H/L x B (m)	kg	Pack	Part No.	€/each
AF 19		1.20	150	E04RS5101	16.40
AF 22		1.20	150	E04RS5102	16.40



Wedge head with semi-coupler, pivotable

Allows the attachment of scaffold tubes and lattice girders to modular standards in any direction. Particularly suitable for the flexible mounting of diagonal struts outside the modular dimensions.

Info	H/L x B (m)	kg	Pack	Part No.	€/each
AF 19		1.20	150	E04RS5103	18.50
AF 22		1.20	150	E04RS5104	18.50

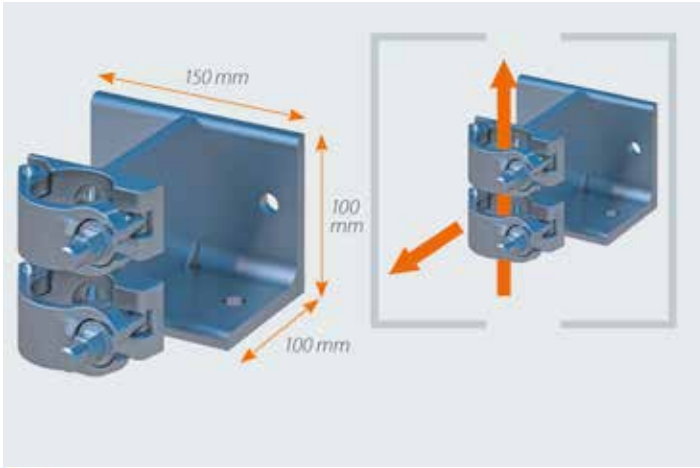


Lattice girder coupler

Suitable for the right-angled connection of lattice girders and vertical tubes. Tightening torque of the collar nuts 50 Nm. Corresponds to EN 74.

Info	kg	Pack	Part No.	for order volume of: €/each		
AF 19	1.60	150	E04RS1518	1: 22.60	10: 19.50	25: 17.50
AF 22	1.60	150	E04RS0559	1: 22.60	10: 19.50	25: 17.50

SNP



Wall/Ceiling coupler

Universal element for the attachment of scaffolding structures to ceilings or walls. High load-bearing values thanks to double coupler design. Highly efficient when assembling ceiling or wall scaffolding in cases where the area below the scaffold has to remain entirely free. Tightening torque of the collar nuts 50 Nm. Corresponds to EN 74.

Max. slip load +/- 9.09 kN

Resultant anchor load at max. utilisation:

D = Z = 16.00 kN, V = 6.5 kN in reinforced concrete

Max. head tear-off load +/- 17 kN

Resultant anchor load: 8.5 kN

Info	kg	Pack	Part No.	for order volume of: €/each		
AF 19	4.40	20	07212	1: 26.30	10: 21.00	25: 18.50
AF 22	4.40	20	07214	1: 26.30	10: 21.00	25: 18.50

SNP

SMART DETAILS



Wall mobile – Thanks to the diverse connection options, tubes and girders can be securely affixed to walls and ceilings both vertically as well as horizontally.

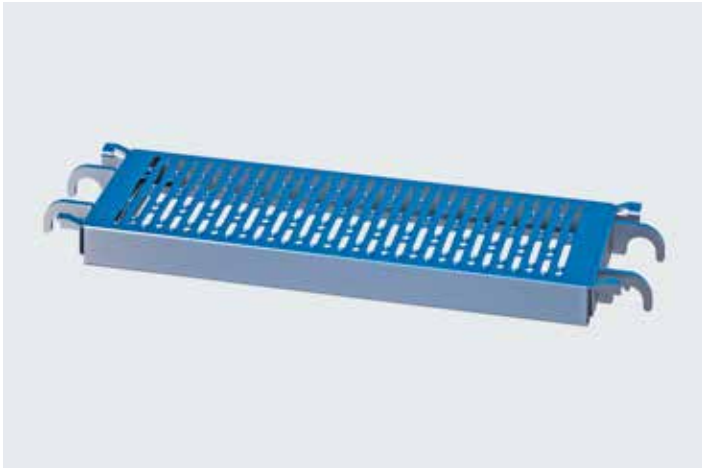


Tear-off load – The maximum head tear-off load of the wall/ceiling coupler is 17 kN.



Slip load – Add-on components are secured against slip up to a max. of 9.10 kN.

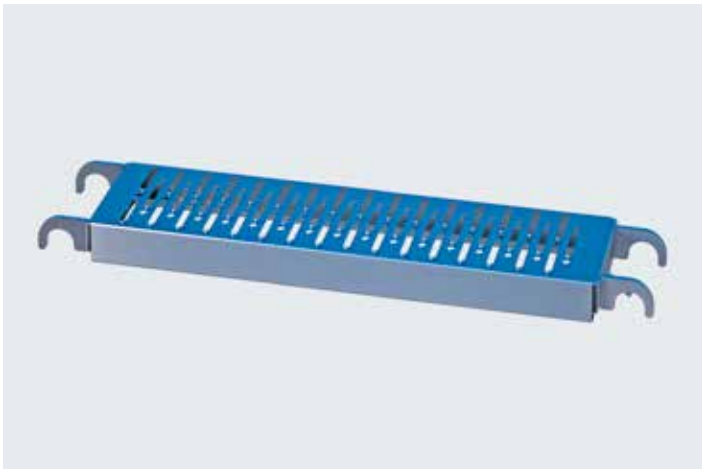




Steel deck 0.29 m for tube hook-up – RX metric

Comes with tube hook-up for modular ledgers or system-independent scaffold tubes. The indestructible scaffold deck. Resistant to even the very highest physical demands, weather influences and chemical substances. The perforated surface only allows a minimum amount of building and blasting material to collect. Optimal stackability. Comes with integrated deck retainer to secure against lift.

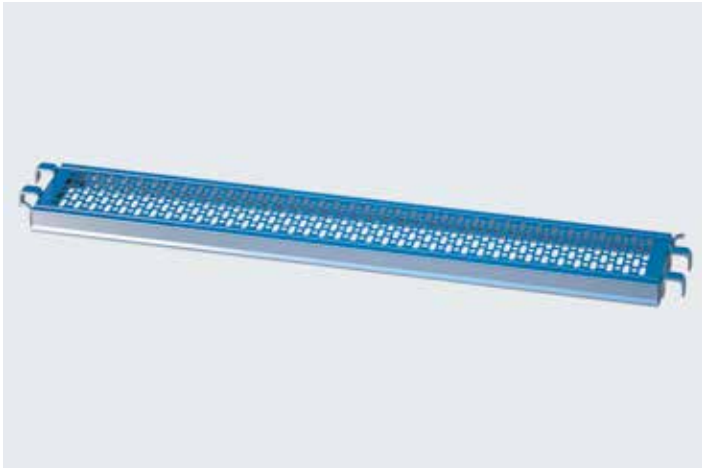
Info	H/L x B (m)	kg	Pack	Part No.	€/each
LC6	0.65 x 0.29	4.90	52	01692	44.80
LC6	0.67 x 0.29	5.70	52	01677	44.80
LC6	1.00 x 0.29	8.40	52	01693	49.90
LC6	1.50 x 0.29	11.80	52	01694	55.50
LC6	2.00 x 0.29	15.80	52	01695	63.90
LC5	2.50 x 0.29	18.80	52	01696	76.80
LC4	3.00 x 0.29	22.00	52	01697	85.50



Compensation deck 0.23 m for tube hook-up – RX metric

The ideal addition to the steel deck with tube hook-up when erecting large-sized scaffold platforms. As a filler element it allows the creation of gap-free working areas.

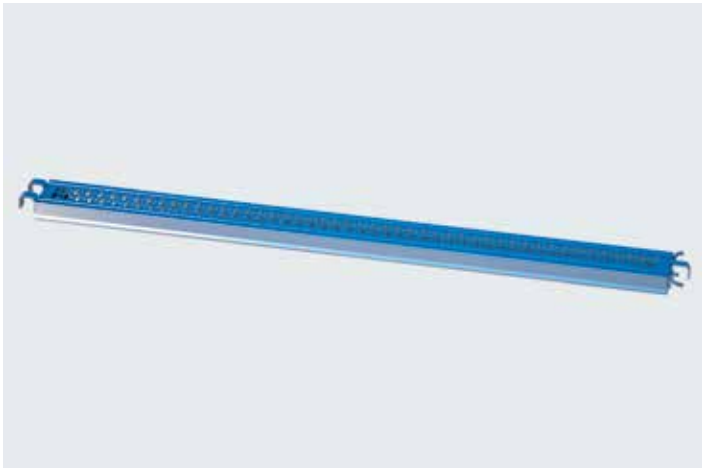
Info	H/L x B (m)	kg	Pack	Part No.	€/each
LC6	1.00 x 0.23	5.50	52	01699	49.90
LC6	1.50 x 0.23	10.20	52	01700	55.50
LC6	2.00 x 0.23	13.20	52	01701	63.90
LC5	2.50 x 0.23	16.90	52	01702	76.80
LC3	3.00 x 0.23	19.00	52	01703	85.50



Steel deck 0.32 m for tube hook-up – PC

Comes with welded support clamps and integrated deck retainer. The indestructible scaffold deck. Resistant to even the very highest physical demands, weather influences and chemical substances. The perforated surface only allows a minimum amount of building and blasting material to collect.

Info	H/L x B (m)	kg	Pack	Part No.	€/each
LC6	0.75 x 0.32	8.00	45	E04PF0009	42.80
LC6	1.00 x 0.32	10.20	45	E04PF0017	46.50
LC6	1.10 x 0.32	10.20	45	E04PF0001	46.50
LC6	1.50 x 0.32	13.00	45	E04PF0002	59.50
LC6	2.00 x 0.32	16.60	45	E04PF0003	63.90
LC5	2.50 x 0.32	19.90	45	E04PF0004	74.50
LC4	3.00 x 0.32	23.30	45	E04PF0005	85.70



Compensation deck 0.14 m for tube hook-up – PC

The ideal addition to the steel deck with tube hook-up when erecting large-sized scaffold platforms. As a filler element it allows the creation of gap-free working areas.

Info	H/L x B (m)	kg	Pack	Part No.	€/each
LC6	1.00 x 0.14	5.90	60	E04PF0025	49.00 ①
LC6	1.10 x 0.14	6.50	60	E04PF0015	49.00 ①
LC6	1.50 x 0.14	8.90	60	E04PF0016	49.90
LC6	2.00 x 0.14	12.00	60	E04PF0006	50.50
LC5	2.50 x 0.14	14.80	60	E04PF0007	58.00
LC4	3.00 x 0.14	17.60	60	E04PF0008	65.40



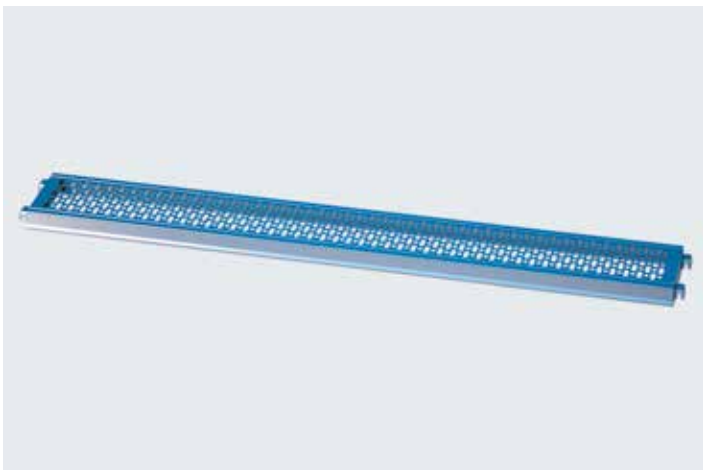
Steel deck 0.32 m (round hole) for tube hook-up – LA 07 dimension
Comes with welded support clamps and integrated deck retainer. The indestructible scaffold deck. Resistant to even the very highest physical demands, weather influences and chemical substances. The perforated surface only allows a minimum amount of building and blasting material to collect.

Info	H/L x B (m)	kg	Pack	Part No.	€/each
LC6	0.73 x 0.32	7.30	45	E04RS0883	41.00
LC6	1.09 x 0.32	9.10	45	E04RS0884	46.00
LC6	1.40 x 0.32	12.20	45	E04RS0273	53.70
LC6	1.57 x 0.32	11.80	45	E04RS0886	53.70
LC6	2.07 x 0.32	15.20	45	E04RS0878	61.50
LC5	2.57 x 0.32	18.20	45	E04RS0876	70.00
LC4	3.07 x 0.32	21.20	45	E04RS0879	79.30



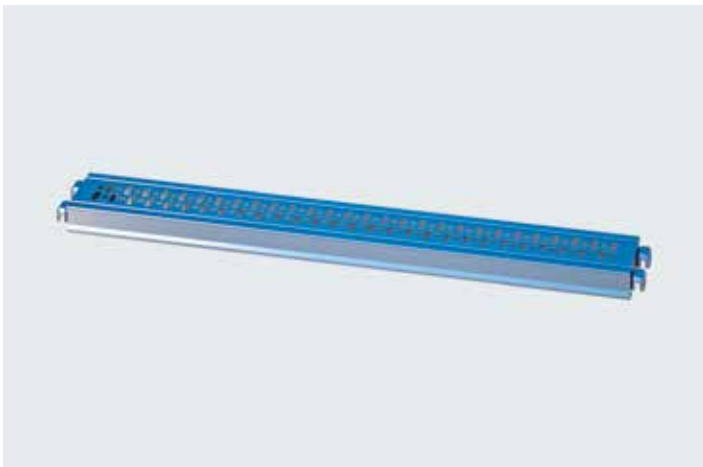
Compensation deck 0.19 m for tube hook-up – LA 07 dimension
The ideal addition to the steel deck with tube hook-up when erecting large-sized scaffold platforms. As a filler element it allows the creation of gap-free working areas.

Info	H/L x B (m)	kg	Pack	Part No.	€/each
LC6	0.73 x 0.19	4.80	60	E04RS0908	41.00
LC6	1.09 x 0.19	7.20	60	E04RS0909	45.00
LC6	1.57 x 0.19	10.30	60	E04RS0911	48.70
LC6	2.07 x 0.19	13.60	60	E04RS0912	54.40
LC5	2.57 x 0.19	16.90	60	E04RS0913	62.70
LC4	3.07 x 0.19	20.20	60	E04RS0914	71.50



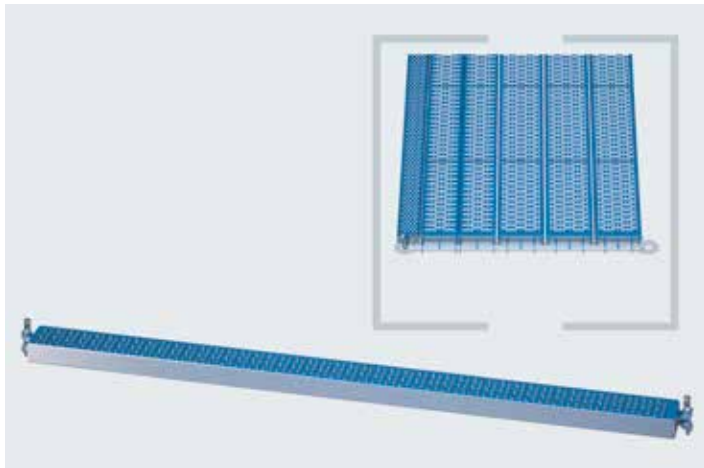
Steel deck 0.32 m for U-shaped hook-up - LA 07 dimension
For FRAMESCAFF and compatible scaffolding systems. Optimal stackability. Integrated deck retainers to prevent lift. Can also be used in catch scaffolds and roof safety systems as per DIN 4420. Anti-slip and durable, perforated surface that only allows a minimum amount of building and blasting material to collect. At 3.07 m length suitable for scaffold group 4 = 3.00 kN/m². At 2.57 m length suitable for scaffold group 5 = 4.50 kN/m².

Info	H/L x B (m)	kg	Pack	Part No.	€/each
LC6	0.73 x 0.32	5.90	45/60	E04RS0941	45.80
LC6	1.09 x 0.32	9.70	45/60	E04RS0887	46.70
LC6	1.57 x 0.32	11.30	45/60	E04RS0942	48.00
LC6	2.07 x 0.32	15.60	45/60	E04RS0888	53.80
LC5	2.57 x 0.32	18.70	45/60	E04RS0943	62.20
LC4	3.07 x 0.32	21.50	45/60	E04RS0944	70.50



Compensation deck 0.19 m for U-shaped hook-up - LA 07 dimension
The ideal addition to the steel deck with tube hook-up when erecting large-sized scaffold platforms. As a filler element it allows the creation of gap-free working areas.

Info	H/L x B (m)	kg	Pack	Part No.	€/each
LC6	0.73 x 0.19	4.10	60	E04RS0608	33.50 ①
LC6	1.09 x 0.19	5.60	60	E04RS0609	39.80 ①
LC6	1.57 x 0.19	8.20	60	E04RS0611	41.00
LC6	2.07 x 0.19	10.20	60	E04RS0612	47.70
LC5	2.57 x 0.19	13.20	60	E04RS0613	55.80
LC4	3.07 x 0.19	15.30	60	E04RS0614	64.80 ①



Compensation deck 0.14 with wedge head – RX metric

To close the gap between the decking level and the bracket decking. Fitted directly to the rings on the standards instead of a modular ledger. For a perfect working area without any tripping hazards or gaps. Reduces the risk of material or tools falling down.

Info	H/L x B (m)	kg	Pack	Part No.	€/each
LC6	1.00 x 0.14	5.00	80	E04RS1211	37.00
LC6	1.50 x 0.14	7.50	80	E04RS1212	44.50
LC6	2.00 x 0.14	10.00	80	E04RS1213	49.90 ①
LC4	2.50 x 0.14	12.50	80	E04RS1214	55.20 ①
LC3	3.00 x 0.14	15.00	80	E04RS1215	62.00 ①

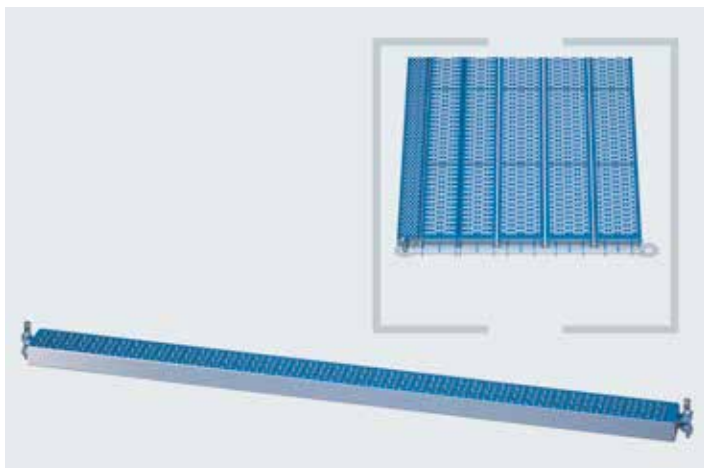
SMART DETAILS

Gap fillers – RINGSCAFF compensation decks replace tube ledgers and close gaps for every imaginable application.

Asymmetric – The asymmetric axis enables the use of either the short or long protrusion of the deck.

Profile – The profile of the component once again underlines the asymmetry and makes it into a kind of all-rounder.

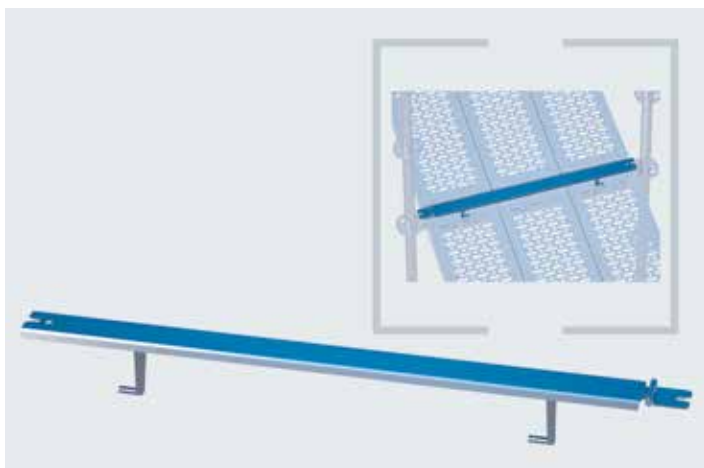
SMART CLIP



Compensation deck 0.14 with wedge head – LA 07 dimension

To close the gap between the decking level and the bracket decking. Fitted directly to the rings on the standards instead of a modular ledger. For a perfect working area without any tripping hazards or gaps. Reduces the risk of material or tools falling down.

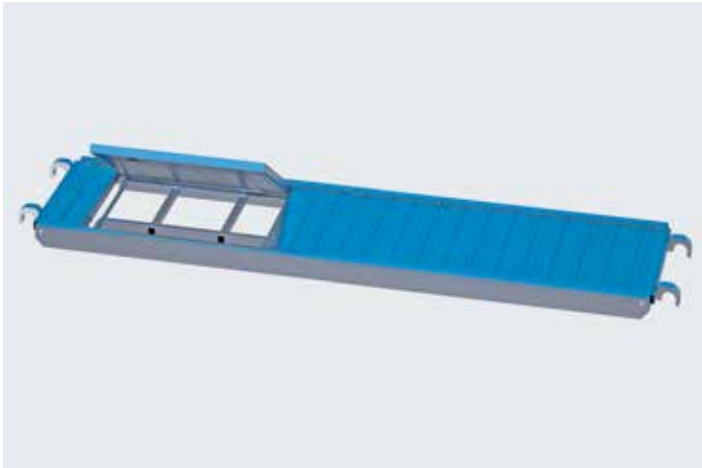
Info	H/L x B (m)	kg	Pack	Part No.	€/each
LC6	0.73 x 0.14	3.65	80	E04RS1216	34.00 ①
LC6	1.09 x 0.14	5.45	80	E04RS1217	37.00 ①
LC6	1.40 x 0.14	7.00	80	E04RS1218	44.50 ①
LC6	1.57 x 0.14	7.85	80	E04RS1219	44.50 ①
LC6	2.07 x 0.14	10.35	80	E04RS1220	49.90 ①
LC4	2.57 x 0.14	12.85	80	E04RS1221	55.20 ①
LC3	3.07 x 0.14	15.35	80	E04RS1222	62.00 ①



Retainer for steel deck – LA 07 dimension

Secures the steel deck for U-shaped hook-up with a width of 0.32 m against unintentional lift.

Info	H/L x B (m)	kg	Pack	Part No.	€/each
LA	0.73	1.30	1	E04RS0594	15.90
LA	1.09	1.80	1	E04RS0595	17.50
LA	1.57	3.00	1	E04RS0597	33.00
LA	2.07	7.50	1	E04RS0598	41.00
LA	2.57	8.90	1	E04RS0599	46.50
LA	3.07	11.90	1	E04RS0600	49.50



Aluminium ladder frame with integrated ladder

For hook-up to tubes, surface and trapdoor made of extruded aluminium hollow profiles

Info	H/L x B (m)	kg	Pack	Part No.	€/each
RX,PC / LC4	2.50 x 0.59	21.00	10	05124	319.00
RX,PC / LC3	3.00 x 0.59	24.50	10	05125	385.00

metric



Aluminium ladder frame without integrated ladder for tube hook-up

For the safe and DIN-conform inner ascent. For tube hook-up. For use in RINGSKAFF modular scaffolding or tube/coupler systems. Self-locking hatch thanks to integrated drawstrings. Three robust hinges protect the hatch permanently against any undesired excessive strain. Anti-slip surface. Without an integrated ladder to enable greater flexibility in the height of the levels. Safety latches prevent unintentional opening of the hatch. High-grade manufacturing ensures long-term use at building sites.

Info	H/L x B (m)	kg	Pack	Part No.	€/each
RX,PC / LC4	2.00 x 0.59	15.00	10	05123	229.00

metric



Steel ladder frame without ladder for tube hook-up

Together with intermediate and access ledgers, it enables a convenient ladder ascent at any point within the decked area.

Info	H/L x B (m)	kg	Pack	Part No.	€/each
RX,PC / LC6	1.00 x 0.60	15.00	10	04827	149.00

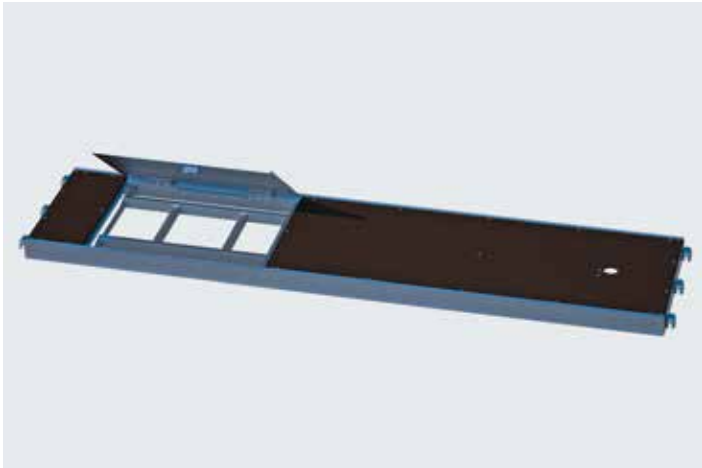
metric



Access ladder for 1 level

Is generally used with ladder frames without integrated ladder or at any place to bridge a normal scaffold level of 2.00 m. It may be removed when not in use for safety reasons or to prevent theft.

Info	H/L x B (m)	kg	Pack	Part No.	€/each
	2.16 x 0.40	9.40	20	07100	45.90

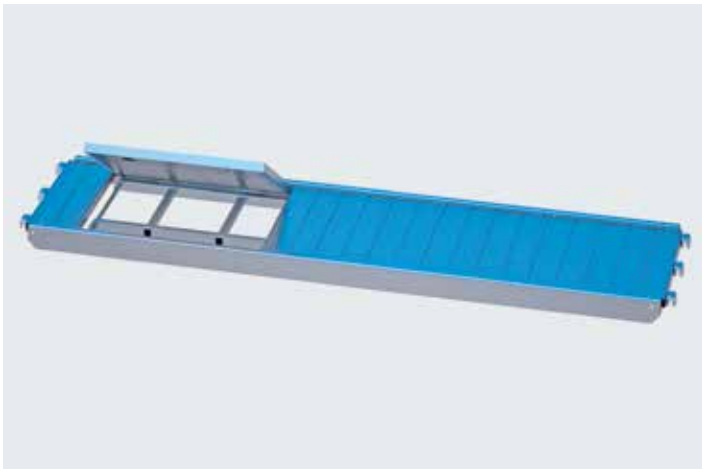


Aluminium ladder frame with integrated ladder for U-shaped hook-up
 Waterproof, anti-slip with plywood surface BFU 100-G. Robust head section with steel clamps. Extremely light and simple to fit, yet very solid. Includes safety latches for the access hatch.

Load:
 3 kN/m² at 2.50 m length
 2 kN/m² at 3.00 m length

Info	H/L x B (m)	kg	Pack	Part No.	€/each
LA/LC3	2.57 x 0.61	21.00	10	E04RS0467	259.00
LA/LC3	3.07 x 0.61	24.50	10	E04RS0468	287.80

07 dimension



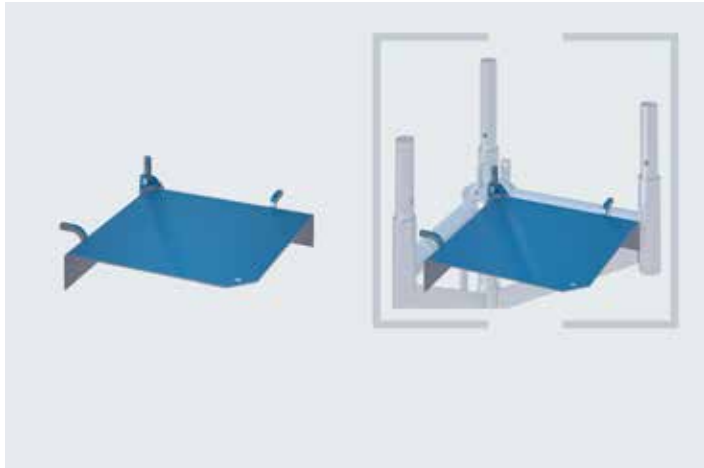
Aluminium ladder frame entirely out of aluminium with integrated ladder for U-shaped hook-up

Anti-slip aluminium surface. Robust head section with steel clamps. Includes safety latches for the hatch and ladder.

Load:
 3 kN/m² at 2.50 m length
 2 kN/m² at 3.00 m length

Info	H/L x B (m)	kg	Pack	Part No.	€/each
LC3	2.57 x 0.61	23.00	10	06090	309.00
LC3	3.07 x 0.61	27.00	10	06091	345.00

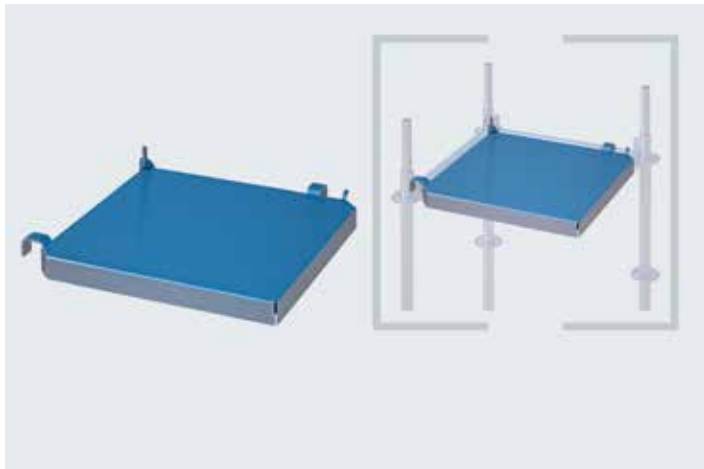
07 dimension



Corner plate, 1-deck

Closes the corners resulting from the use of single deck brackets with tube hook-up and thereby ensures an even and continuous working area. Attachment by means of wedge head directly to the modular rings. Rapid, screw-free fitting.

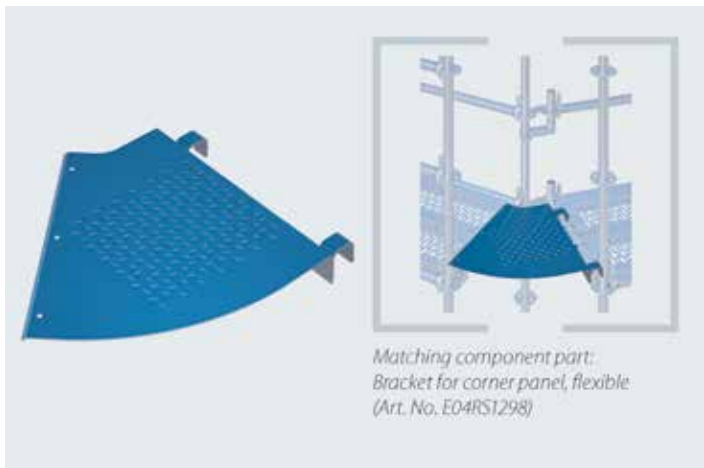
Info	H/L x B (m)	kg	Pack	Part No.	€/each
LC3	0.39 x 0.39	5.10	40	E04RS0690	42.80



Corner plate, 2-deck

Closes the corners resulting from the use of single deck brackets with tube hook-up and thereby ensures an even and continuous working area. Attachment by means of wedge head directly to the modular rings. Rapid, screw-free fitting.

Info	H/L x B (m)	kg	Pack	Part No.	€/each
LC3	0.73 x 0.73	7.90	30	E04RS0687	138.50



Corner panel, flexible

To bridge scaffold corners up to 45°. Flexible solution to match the scaffold structure to the building layout e.g. for circular scaffolding. For an even working surface in the crossover area without any tripping hazards. Tube hook-up on one side and secured against lift.


Info	H/L x B (m)	kg	Pack	Part No.	€/each
	0.58	9.20	25	E04RS1297	55.00

SMART DETAILS

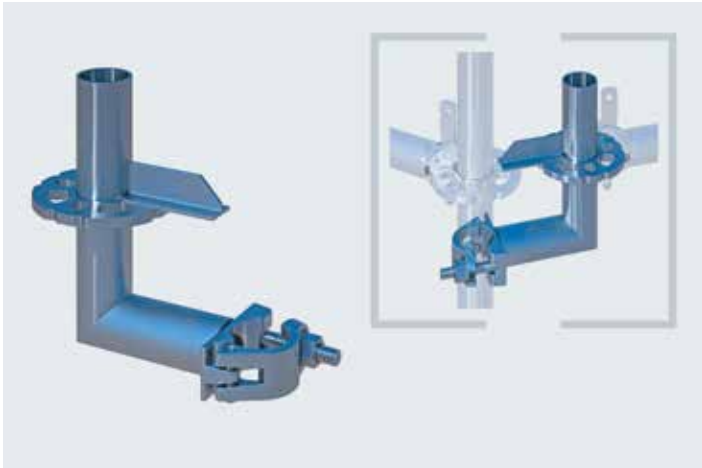
0° to 45° – Ensures the covering of gaps in the decking level up to an angle of 45° resulting from the end-to-end fitting of individual scaffold sections.

Inner and outer – The corner panel can be used for both inner as well as outer corners.

Possibilities – The various structural scaffolding options available are only limited by the max. angle of the scaffold sections to one another.



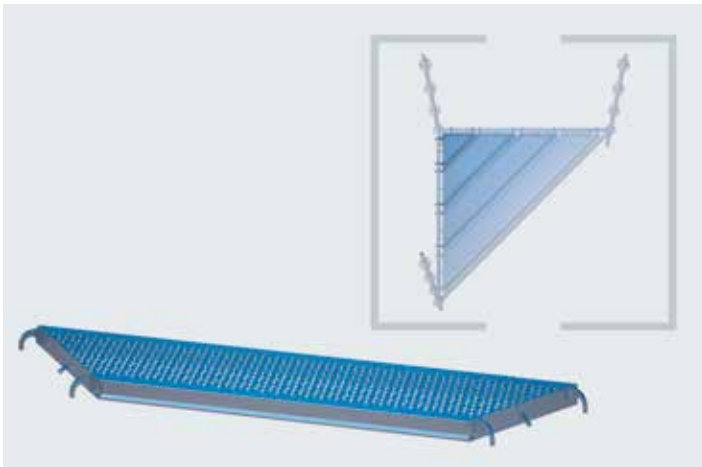
SMART CLIP



Bracket for corner panel, flexible

Is needed together with the corner deck to fit the three-piece side protection. Connection of the bracket at any angle with the scaffold coupler. Also used for linking individual scaffold modules or standards mounted parallel to one another.

Info	H/L x B (m)	kg	Pack	Part No.	€/each
AF 19	0.21 x 0.15	2.60	25	E04RS1298_19	17.00
AF 22	0.21 x 0.15	2.60	25	E04RS1298_22	17.00



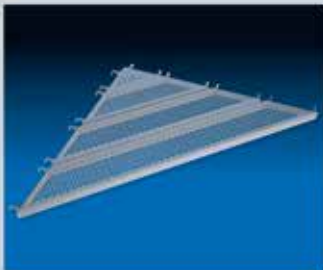
Corner deck

To match the scaffold structure to the facility that needs to be scaffolded e.g. curved structures, pipelines, columns or similar. For the closing of scaffold corners without any tripping hazards. Tube hook-up and secured against slip. Flexible, reusable system solution avoids intensive efforts to individually fit the scaffolding.

Info	H/L x B (m)	kg	Pack	Part No.	€/each
LC3	0.54 x 0.32	4.77	20	E04RS1191	51.75
LC3	1.20 x 0.32	8.87	20	E04RS1192	68.40
LC3	1.89 x 0.32	13.53	20	E04RS1193	87.40
LC3	2.58 x 0.32	18.19	20	E04RS1194	105.30

metric

SMART DETAILS

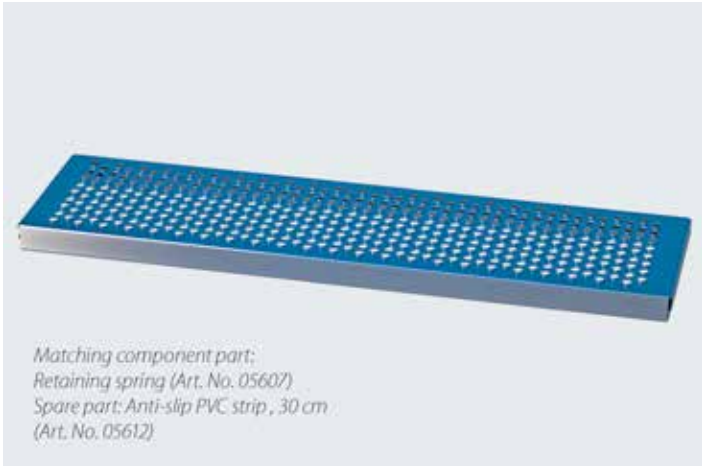


Perfect working surface – Scafom-rux corner panel creates a genuine working area with a high load-bearing capacity both for inner as well as outer corners.



Close to things – You just won't get any nearer. You can work safely right up to the building structure itself, and this in decking width.





Steel deck – system-independent

The alternative to system-independent scaffold boards. Robust, durable and resilient both against mechanical loads as well as chemical or weather-related influences. The ideal solution when fire protection requirements are particularly demanding. Perforated anti-slip surface. Firmly integrated anti-slip section ensures a secure fit on scaffold tubes and ledgers.

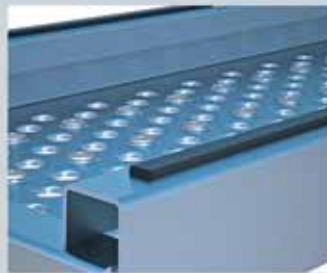
H/L x B (m)	kg	Pack	Part No.	for order volume of: €/each		
1.00 x 0.19	4.60	80	05622	1: 33.20	50: 23.00	200: 21.50
1.50 x 0.19	6.40	80	05623	1: 39.20	50: 26.95	200: 25.20
2.00 x 0.19	8.60	80	05624	1: 45.30	50: 31.00	200: 29.00
2.50 x 0.19	13.60	80	05625	1: 58.00	50: 38.80	200: 36.50
3.00 x 0.19	16.20	80	05636	1: 67.00	50: 48.60	200: 46.00
1.00 x 0.26	5.40	80	05608	1: 34.20	50: 24.00	200: 22.50
1.50 x 0.26	7.80	80	05609	1: 39.90	50: 27.70	200: 25.90
2.00 x 0.26	10.20	80	05610	1: 45.80	50: 31.50	200: 29.50
2.50 x 0.26	16.00	80	05611	1: 59.60	50: 39.80	200: 37.50
3.00 x 0.26	19.60	80	05606	1: 68.50	50: 49.60	200: 47.00
1.00 x 0.30	5.80	80	05612	1: 34.20	50: 24.00	200: 22.50
1.50 x 0.30	8.40	80	05613	1: 39.90	50: 27.70	200: 25.90
2.00 x 0.30	11.00	80	05614	1: 45.80	50: 31.50	200: 29.50
2.50 x 0.30	17.60	80	05617	1: 59.60	50: 39.80	200: 37.50
3.00 x 0.30	21.20	80	05628	1: 68.50	50: 49.60	200: 47.00

SNP

SMART DETAILS



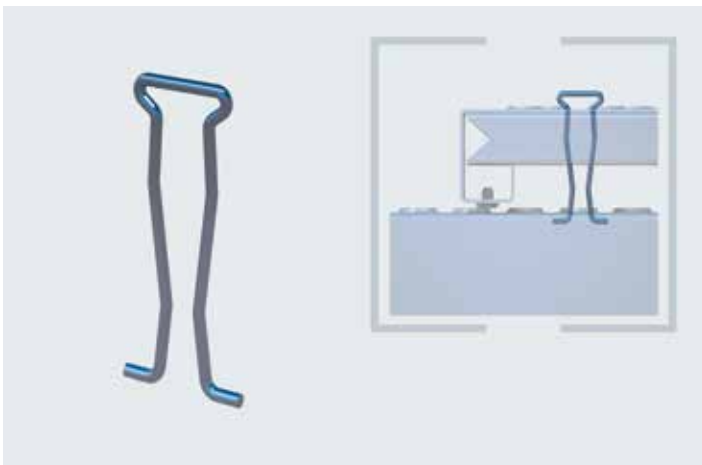
Industry – The stable yet light steel deck allows support widths of up to 2.70 m. Ideal for industrial applications where certain material types e.g. wood cannot be used.



Anti-slip – In comparison to wood or steel decks, the integrated plastic strip ensures a secure hold on the supporting structure.



Secure – When scaffolding is installed inside buildings, additional securing of the decks is frequently unnecessary.

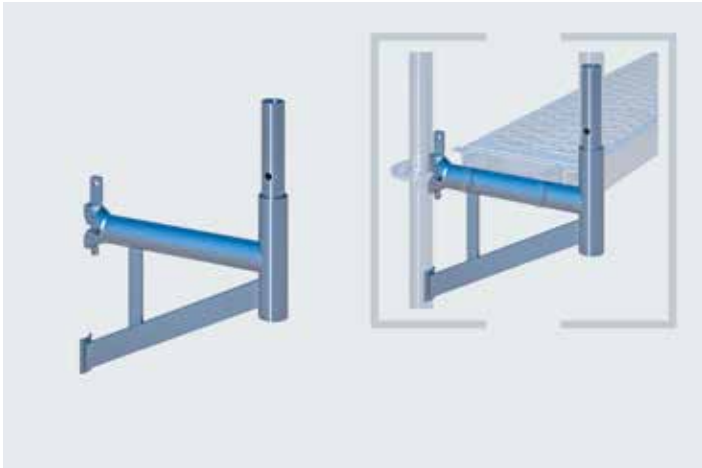


Retaining spring for system-independent steel decks

Robust steel wire, hot-galvanised, to secure the system-independent steel decks against lift.

H/L x B (m)	kg	Pack	Part No.	for order volume of: €/each		
0.06 x 0.01	0.01	250	05607	1: 0.39	100: 0.30	500: 0.26

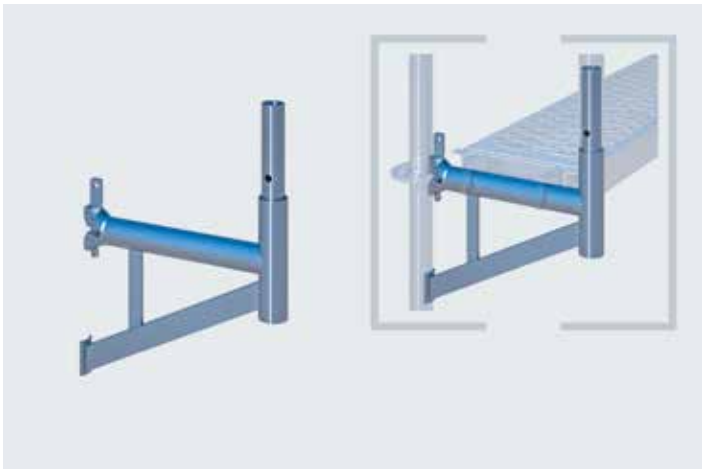
SNP



Steel bracket for tube hook-up – RX metric

For decks with tube hook-up. For the widening of a scaffold bay on both sides by one deck width at any position in the scaffold. Comes with connection pieces for modular standards or guardrail posts to enable fitting of the three-piece side protection. Recommendable for wall protrusions and recesses as well as for the uppermost scaffolding level in the case of roof projections, guttering, etc. It can also be used for the front-end extension of a scaffold bay. Attached with wedge head directly to the modular rings. Available in various modular dimension widths for different scaffolding systems.

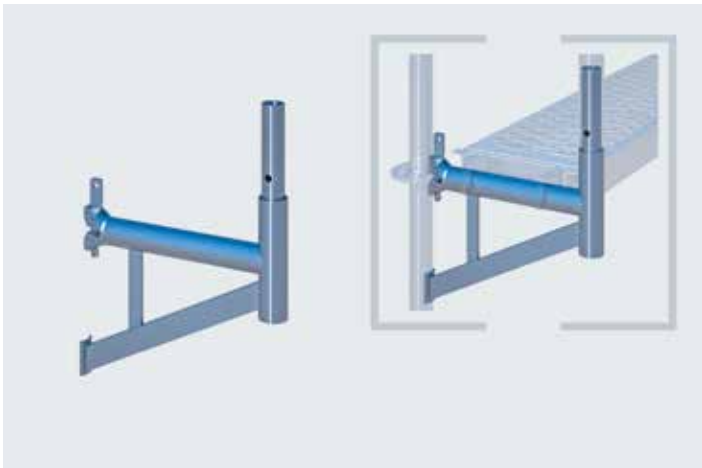
Info	H/L x B (m)	kg	Pack	Part No.	€/each
	0.38	3.60	50	E04RS0543	29.00
	0.67	5.80	50	E04RS0485	33.50



Steel bracket for tube hook-up – PC

For decks with tube hook-up. To widen the scaffold bay on both sides by one deck width at any position in the scaffold. Comes with connecting pieces for modular standards or guardrail posts to fit the three-piece side protection. Recommendable for wall protrusions and recesses as well as for the uppermost scaffolding level in the case of roof projections, guttering, etc. It can also be used for the front-end extension of a scaffold bay. Attached with wedge head directly to the modular rings. Available in various width dimensions for different scaffold systems.

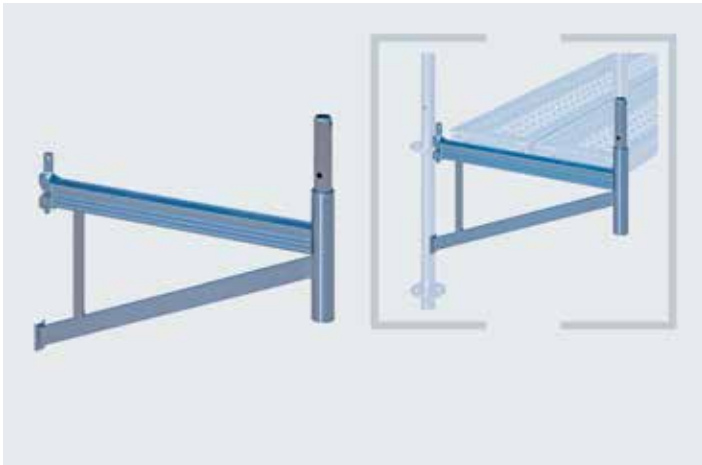
Info	H/L x B (m)	kg	Pack	Part No.	€/each
	0.38	3.60	50	E04RS0543	29.00
	0.75	6.60	50	E04RS0015	36.60



Steel bracket for tube hook-up – LA 07 dimension

For decks with tube hook-up. For the widening of a scaffold bay on both sides by one deck width at any position in the scaffold. Comes with connection pieces for modular standards or guardrail posts to enable fitting of the three-piece side protection. Recommendable for wall protrusions and recesses as well as for the uppermost scaffolding level in the case of roof projections, guttering, etc. It can also be used for the front-end extension of a scaffold bay. Attached with wedge head directly to the modular rings. Available in various modular dimension widths for different scaffolding systems.

Info	H/L x B (m)	kg	Pack	Part No.	€/each
	0.38	3.60	50	E04RS0543	29.00
	0.73	6.80	50	E04RS0018	34.40
	1.09	11.50	50	E04RS0270	59.00



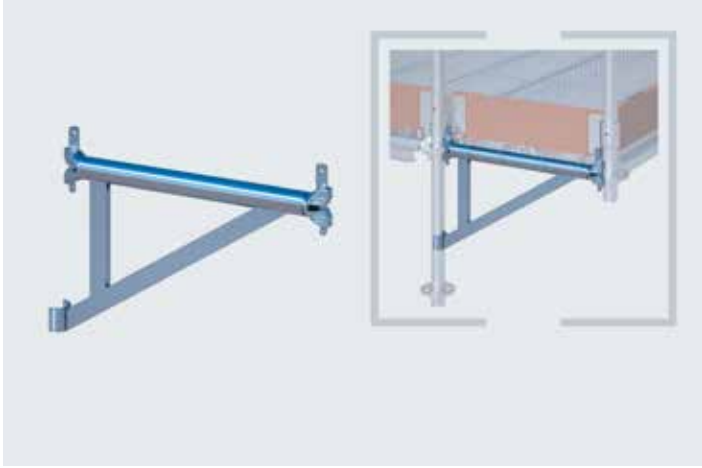
Steel bracket for U-shaped hook-up – LA 07 dimension

For decks with tube hook-up. For the widening of a scaffold bay on both sides by one deck width at any position in the scaffold. Comes with connection pieces for modular standards or guardrail posts to enable fitting of the three-piece side protection. Recommendable for wall protrusions and recesses as well as for the uppermost scaffolding level in the case of roof projections, guttering, etc. It can also be used for the front-end extension of a scaffold bay. Attached with wedge head directly to the modular rings. Available in various modular dimension widths for different scaffolding systems.

Max. q-load: 4.60 kN/m

Max. point load: 1.50 kN/m

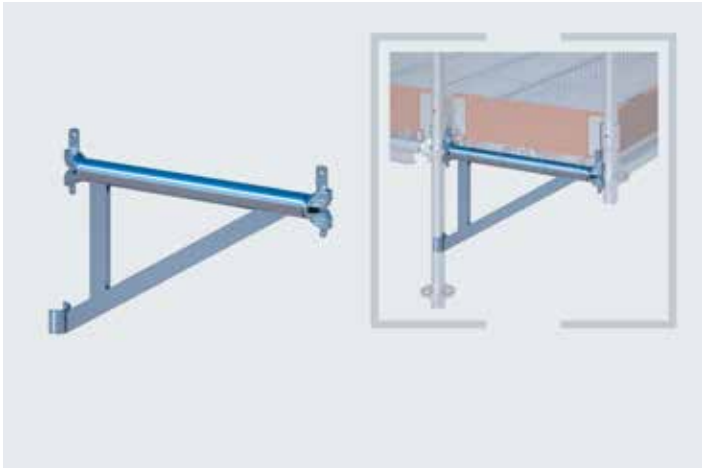
Info	H/L x B (m)	kg	Pack	Part No.	€/each
	0.39	3.80	50	E04RS0449	29.60
	0.73	6.80	50	E04RS0417	34.80



Steel bracket with 2 wedge heads for tube hook-up – RX metric

For decks with tube hook-up. For the widening of a scaffold bay on both sides at any position in the scaffold. Comes with a wedge head on each side for modular standards to enable fitting of the three-piece side protection or to connect two scaffold modules. Recommendable for wall protrusions and recesses as well as for the uppermost scaffolding level in the case of roof projections, guttering, etc. It can also be used for the front-end extension of a scaffold bay. Attached with wedge head directly to the modular rings.

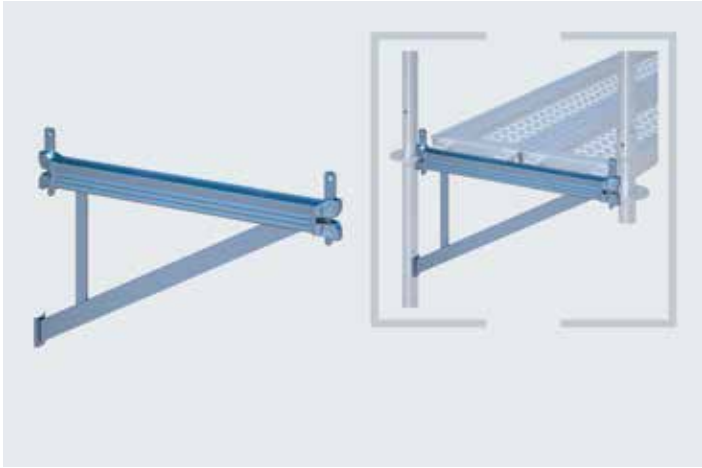
Info	H/L x B (m)	kg	Pack	Part No.	€/each
	0.50	5.00	50	E04RS5105	33.90
	0.67	5.60	50	E04RS5106	39.90



Steel bracket with 2 wedge heads for tube hook-up – PC

For decks with tube hook-up. For the widening of a scaffold bay on both sides at any position in the scaffold. Comes with a wedge head on each side for modular standards to enable fitting of the three-piece side protection or to connect two scaffold modules. Recommendable for wall protrusions and recesses as well as for the uppermost scaffolding level in the case of roof projections, guttering, etc. It can also be used for the front-end extension of a scaffold bay. Attached with wedge head directly to the modular rings.

Info	H/L x B (m)	kg	Pack	Part No.	€/each
	0.50	5.00	50	E04RS5105	33.90
	0.74	6.00	50	E04RS5107	41.90



Steel bracket with 2 wedge heads for U-shaped hook-up – LA 07 dimension

Fulfills the same purpose as the steel bracket for tube hook-up with two wedge heads, but comes with a U-shaped profile for decks with the corresponding clamp sections.

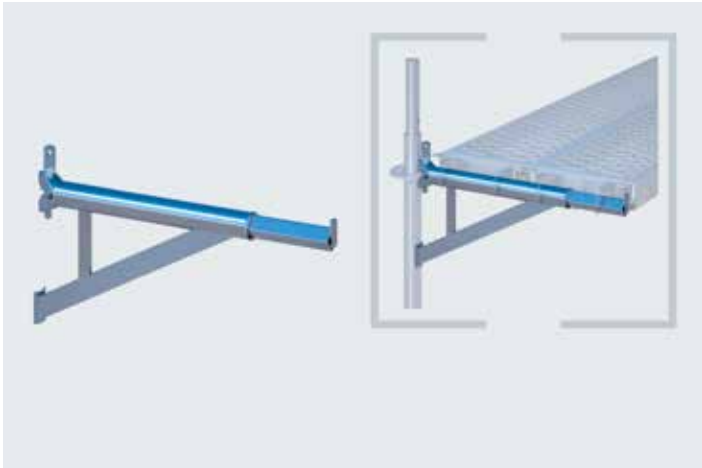
Info	H/L x B (m)	kg	Pack	Part No.	€/each
	0.73	5.70	50	E04RS0527	46.00



Steel bracket with 3 wedge heads for tube hook-up – metric

For decks with tube hook-up. For the widening or extension of a scaffold bay on both sides by one metre. Comes with a wedge head on each side for modular standards to enable fitting of the three-piece side protection or to connect two scaffold modules. Recommendable for wall protrusions and recesses as well as for the uppermost scaffolding level in the case of roof projections, guttering, etc. It can also be used for the front-end extension of a scaffold bay. Attached with wedge head directly to the modular rings.

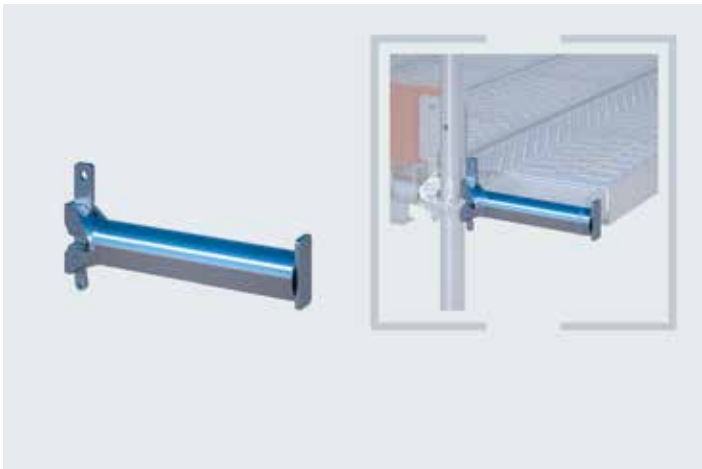
Info	H/L x B (m)	kg	Pack	Part No.	€/each
RX,PC	1.00	12.00	30	E04RS0662	61.90 ①



Telescopic bracket for tube hook-up

Bracket for individual adjustment to the deck width: adjustment range 0.30 m to 0.48 m. Attached to the modular rings by means of wedge heads. For decks with tube hook-up or system-independent scaffold boards.

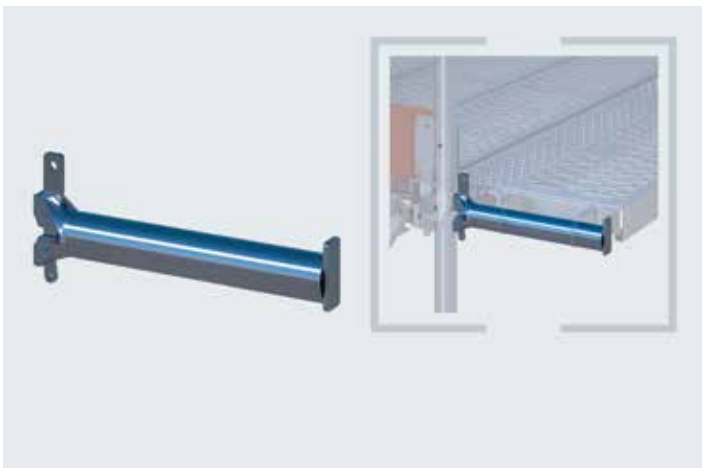
Info	H/L x B (m)	kg	Pack	Part No.	€/each
RX,LA,PC		4.20	50	E04RS0605	34.50



Bracket ledger, short for tube hook-up

For the rapid assembly and disassembly of widened scaffolding from 0.14 to 0.23 m. Closes oversized wall clearances and other safety gaps. Helpful component when attaching façade elements or thick-layered thermal insulation. For decks with tube hook-up or system-independent scaffold boards. Attached with wedge head directly to the modular standards.

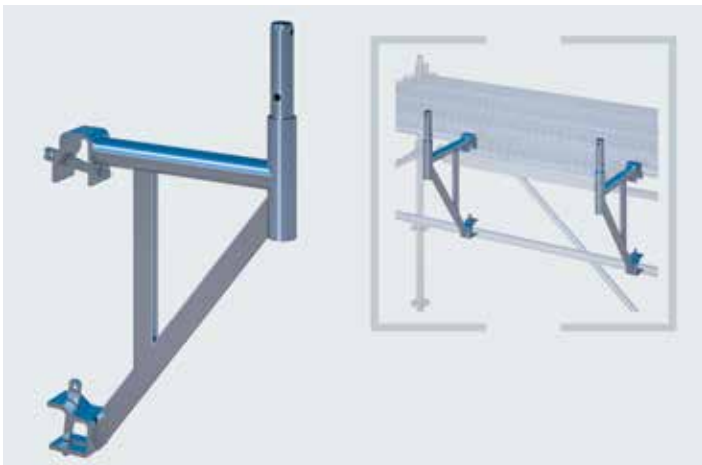
Info	H/L x B (m)	kg	Pack	Part No.	€/each
	0.23	1.30	50	E04RS5109	18.50



Bracket ledger, long for tube hook-up

Used according to the same principle as the short bracket ledger, but for decks of 0.29 m or 0.32 m with tube hook-up.

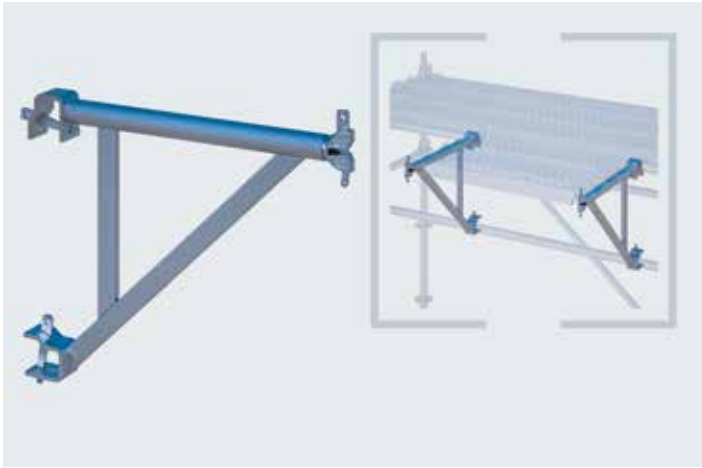
Info	H/L x B (m)	kg	Pack	Part No.	€/each
	0.36	1.60	50	E04RS5108	19.90



RINGSCAFF bracket for intermediate position 0.39 m for tube hook-up

1-deck version. The bracket can be attached to RINGSCAFF ledgers at any position in any scaffold bay due to the system-independent wedge connection. It is therefore quite simple for niches or recesses to be scaffolded.

Info	H/L x B (m)	kg	Pack	Part No.	€/each
RX,LA,PC	0.39	6.10	25	E04RS1279	34.90

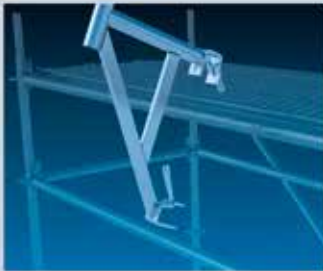


RINGSKAFF bracket for intermediate position 0.66 m for tube hook-up – RX metric

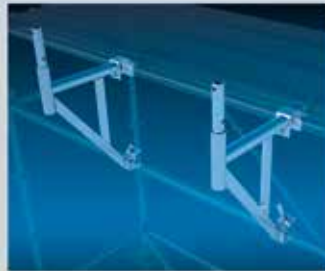
2-deck version. The bracket can be attached to RINGSKAFF ledgers at any position in any scaffold bay due to the system-independent wedge connection. It is therefore quite simple for niches or recesses to be scaffolded.

Info	H/L x B (m)	kg	Pack	Part No.	€/each
	0.66	6.20	25	E04RS1278	53.80

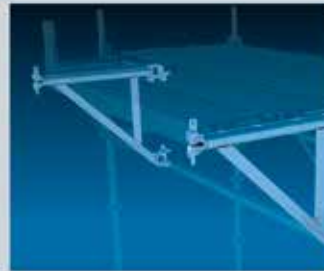
SMART DETAILS



More or less system-independent – The wedge connections enable the brackets to be mounted on any desired ledgers, tubes or lattice girders.

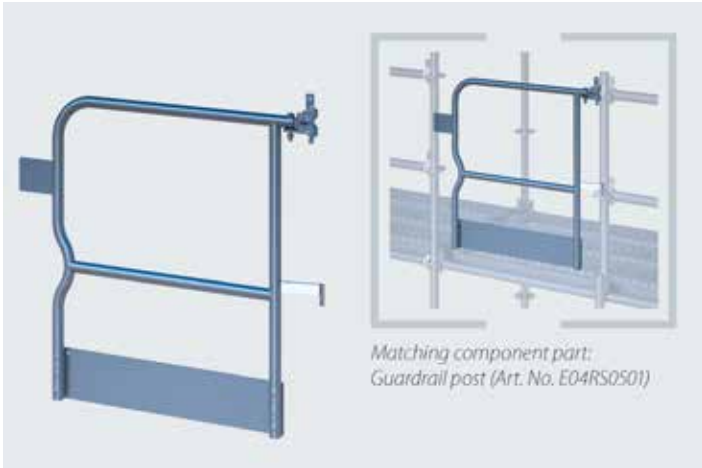


Closing gaps – Niches and recesses can be optimally considered – either single or 2-deck.



Always fits – The position of the brackets can always be freely selected. The choice of different types of decking allows for even greater flexibility.





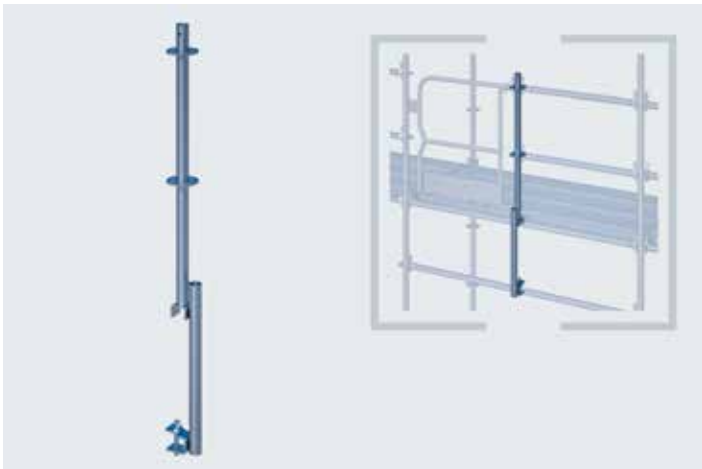
Matching component part:
Guardrail post (Art. No. E04RS0501)

Double safety gate

The safety gate completes the side protection with an integrated toe board and can be used wherever exits through front-mounted stairway or ladder ascents need to be implemented.

The component part is either fitted to a guardrail post or alternatively to a 2.00 m standard for safety gate. In this respect the standard or post serves as a hinge or slampost.

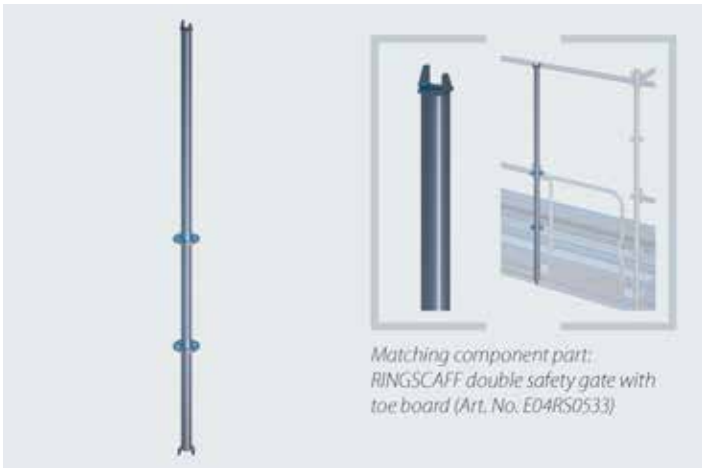
Info	H/L x B (m)	kg	Pack	Part No.	€/each
self-closing	0.90 x 0.80	10.20	1	E04RS0533	79.00



Guardrail post

For the secure attachment of the safety gate e.g. when front-mounted stairways are fitted. The guardrail post either serves as a hinge or slampost for the safety gate. Similarly, the guardrail post can be used as an intermediate standard in a scaffolding already assembled.

Info	H/L x B (m)	kg	Pack	Part No.	€/each
	1.70	8.70	50	E04RS0501	47.90



Matching component part:
RINGSCAFF double safety gate with
toe board (Art. No. E04RS0533)

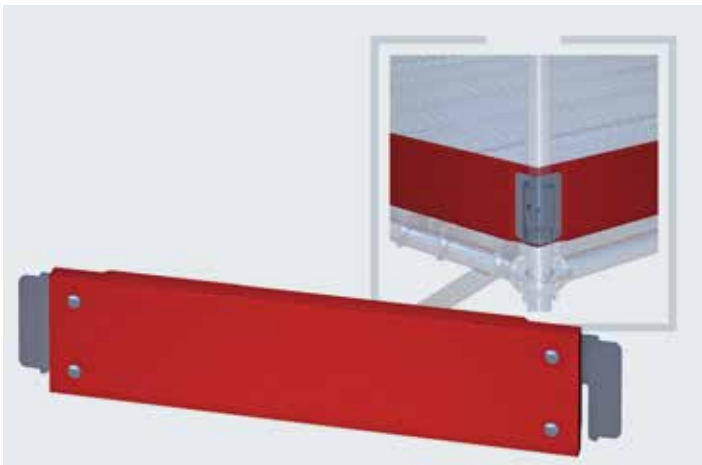
Standard 2.00 m for safety gate

The standard 2.00 m can be used as an alternative to the guardrail post when fitting the safety gate e.g. as would be necessary in the case of front-mounted stairway ascents. In this respect it serves as a hinge or slampost for the safety gate.

Additionally, the standard can simply be applied as an intermediate standard in a scaffolding already assembled. In this respect the standard is held at the top and bottom by ledgers running in a transverse direction and in the middle by a ledger running in the longitudinal direction.

The strengthening of ledgers or their support on a second ledger and thereby the shortening of the span width are similarly reasons for using this standard.

Info	H/L x B (m)	kg	Pack	Part No.	€/each
	2.00	9.00	10	E04RS0921	48.90

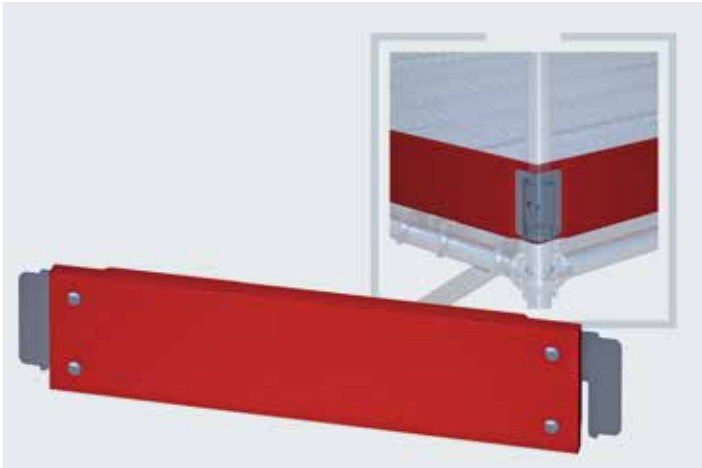


Wooden toe board – RX metric

Prevents tools and material from unintentionally falling from the scaffolding. It is always an integral part of the three-piece side protection. Is used in combination with decks for tube hook-up and mounted between the modular standards screw-free. Impregnated wood with replaceable metal fittings.

Info	H/L x B (m)	kg	Pack	Part No.	€/each
	0.67	2.70	100	E04RS0487	13.00
	1.00	3.90	100	E04RS0503	13.80
	1.50	5.30	100	E04RS0255	15.20
	2.00	7.00	100	E04RS0256	17.30
	2.50	8.60	100	E04RS0257	19.40
	3.00	10.10	100	E04RS0258	20.80

Embossing possible

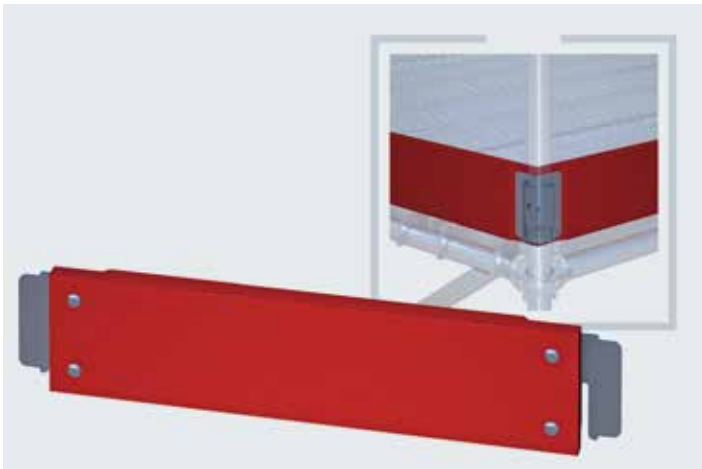


Wooden toe board – PC

Prevents tools and material from unintentionally falling from the scaffolding. It is always an integral part of the three-piece side protection. Is used in combination with decks for tube hook-up and mounted between the modular standards screw-free. Impregnated wood with replaceable metal fittings.

Info	H/L x B (m)	kg	Pack	Part No.	€/each
	0.75	2.70	100	E04RS0517	13.00
	1.10	3.80	100	E04RS0254	13.80
	1.50	5.30	100	E04RS0255	15.20
	2.00	7.00	100	E04RS0256	17.30
	2.50	8.60	100	E04RS0257	19.40
	3.00	10.10	100	E04RS0258	20.80

Embossing possible

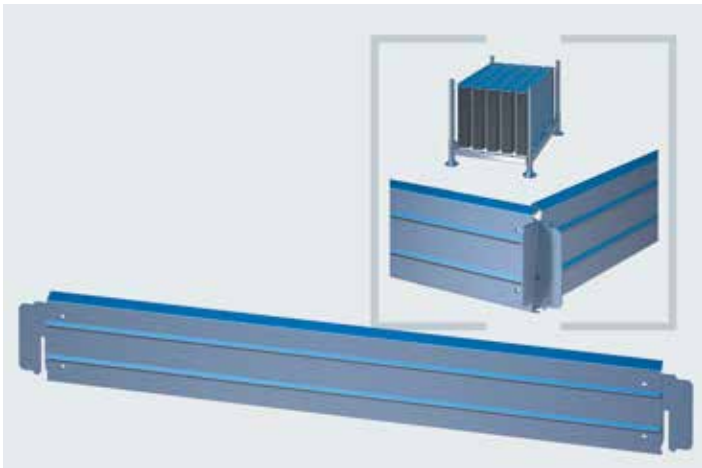


Wooden toe board – LA 07 dimension

Prevents tools and material from unintentionally falling from the scaffolding. It is always an integral part of the three-piece side protection. Is used in combination with decks for tube hook-up and mounted between the modular standards screw-free. Impregnated wood with replaceable metal fittings.

Info	H/L x B (m)	kg	Pack	Part No.	€/each
	0.73	2.80	100	E04RS0016	13.00
	1.09	3.90	100	E04RS0037	13.80
	1.40	4.90	100	E04RS0054	14.80
	1.57	5.50	100	E04RS0064	14.80
	2.07	7.20	100	E04RS0076	15.90
	2.57	8.80	100	E04RS0091	17.70
	3.07	10.30	100	E04RS0101	18.60

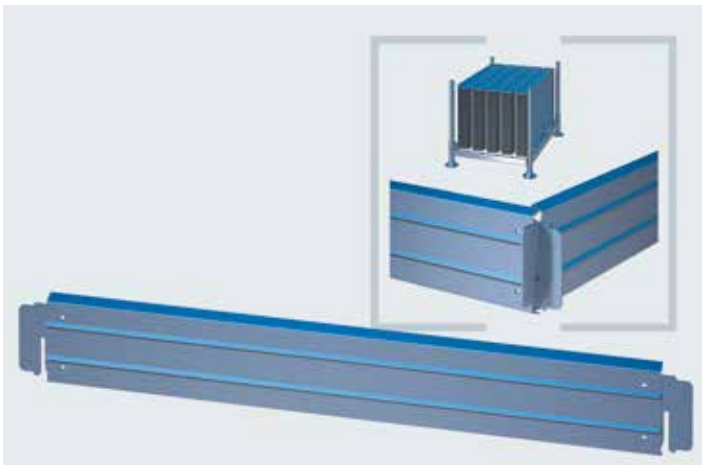
Embossing possible



Steel toe board – RX metric

Robust, durable and resilient both against mechanical loads as well as chemical or weather-related influences. Prevents tools and material from unintentionally falling from the scaffolding. It is always an integral part of the three-piece side protection. The ideal solution when fire protection requirements are particularly demanding to complement steel decks for tube hook-up.

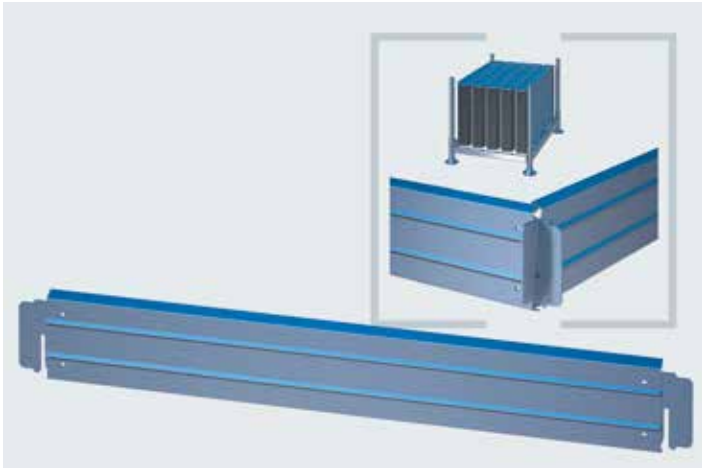
Info	H/L x B (m)	kg	Pack	Part No.	€/each
	0.67	2.50	100	E04RS0660	13.90
	1.00	3.40	100	E04RS0661	15.95
	1.50	4.80	100	E04RS0645	18.90
	2.00	6.50	100	E04RS0646	23.70
	2.50	8.10	100	E04RS0647	28.40
	3.00	9.40	100	E04RS0648	33.00



Steel toe board – PC

Robust, durable and resilient both against mechanical loads as well as chemical or weather-related influences. Prevents tools and material from unintentionally falling from the scaffolding. It is always an integral part of the three-piece side protection. The ideal solution when fire protection requirements are particularly demanding to complement steel decks for tube hook-up.

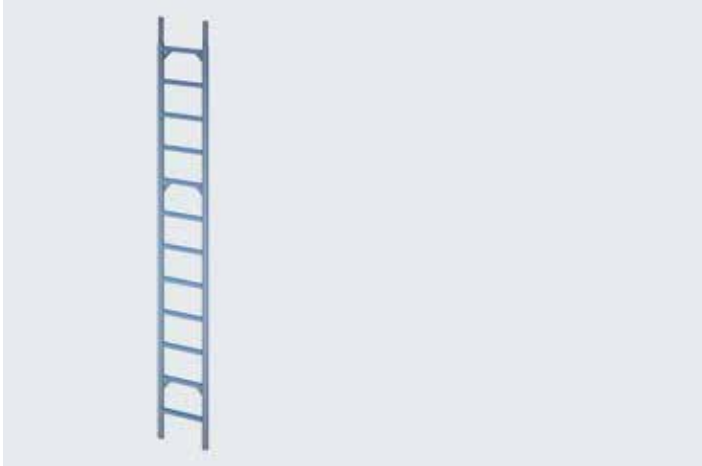
Info	H/L x B (m)	kg	Pack	Part No.	€/each
	1.10	3.50	100	E04RS0644	15.95
	1.50	4.80	100	E04RS0645	18.90
	2.00	6.50	100	E04RS0646	23.70
	2.50	8.10	100	E04RS0647	28.40
	3.00	9.40	100	E04RS0648	33.00



Steel toe board – LA 07 dimension

Robust, durable and resilient both against mechanical loads as well as chemical or weather-related influences. Prevents tools and material from unintentionally falling from the scaffolding. It is always an integral part of the three-piece side protection. The ideal solution when fire protection requirements are particularly demanding to complement steel decks for tube hook-up.

Info	H/L x B (m)	kg	Pack	Part No.	€/each
	0.73	2.60	100	E04RS0631	13.90
	1.09	3.50	100	E04RS0632	15.95
	1.40	4.90	100	E04RS0633	16.90
	1.57	4.90	100	E04RS0634	19.50
	2.07	6.60	100	E04RS0635	26.90
	2.57	8.20	100	E04RS0636	31.50
	3.07	9.50	100	E04RS0637	36.50



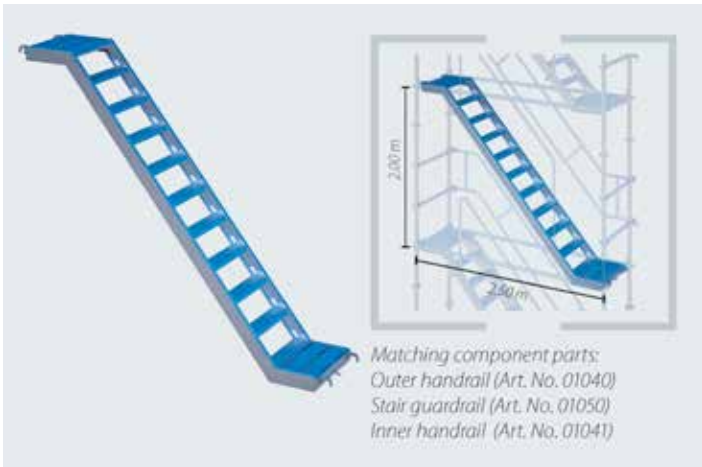
Vertical steel ladder with tube connectors

The simplest and most proven solution for scaffold ascent for every type of scaffolding. Ladders can be extended using the integrated tube connectors. They can be attached at any position in the scaffolding by means of standard scaffold couplers.

Ø 48.3 mm, distance between rungs 22 cm, axial dimension 380 mm.

H/L x B (m)	kg	Pack	Part No.	for order volume of: €/each		
2.00 x 0.43	16.30	10	E04RS1272	1: 89.00	10: 67.00	20: 58.00
3.00 x 0.43	23.60	10	E04RS1273	1: 128.00	10: 93.00	20: 80.50
4.00 x 0.43	38.40	10	E04RS1274	1: 164.50	10: 120.00	20: 105.00

SNP



Aluminium stairway 2.00 m with platform for tube hook-up

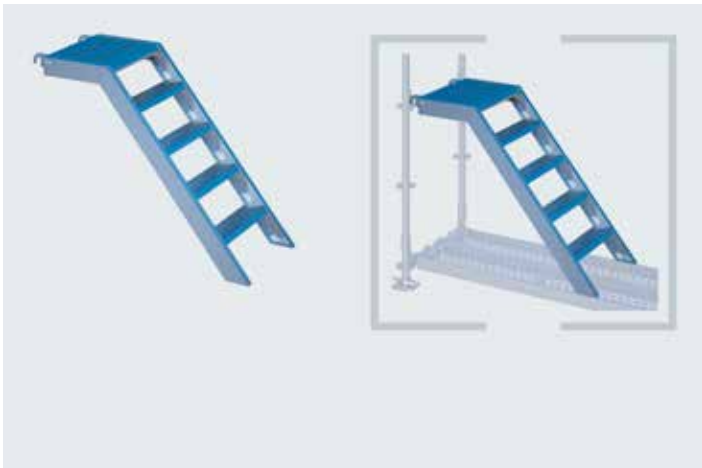
Bay height: 2.00 m; for bay length 2.50 m.

The convenient outer ascent. The ideal alternative to inner ladder access, particularly for scaffolds with long standing time, high levels of material transport and various trades. Universally applicable in modular or tube/coupler scaffolds thanks to tube hook-up. To enable regulation-conform scaffold access as per TRBS 2121. Low weight due to aluminium design. Space-saving stackability for transport and storage.

Load of up to 2 kN/m².

Info	H/L x B (m)	kg	Pack	Part No.	€/each
RX,PC	2.50 x 0.60	20.00	10	00979	379.00

metric

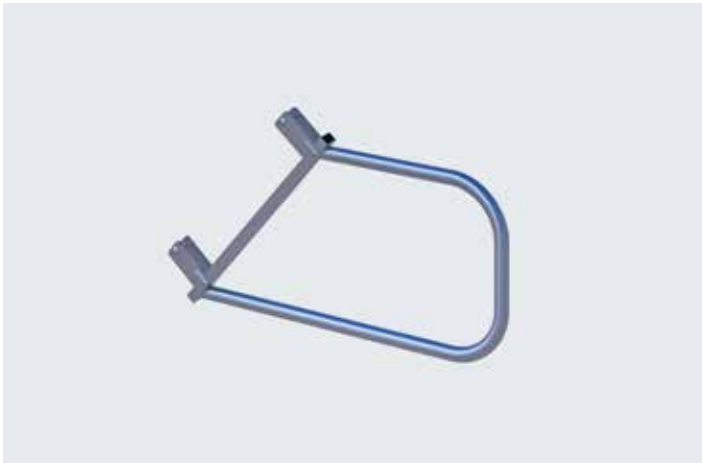


Aluminium stairway 1.00 m with platform for tube hook-up

Connecting element. Entry stairs with approx. 1.00 m height for the first level or exit stairs for the crossover to the building. Comes with tube hook-up for modular or tube/coupler scaffolds. Load of up to 2 kN/m²; for bay heights of 1.00 m.

Info	H/L x B (m)	kg	Pack	Part No.	€/each
RX,PC	1.00 x 0.60	12.00	10	00981	232.00

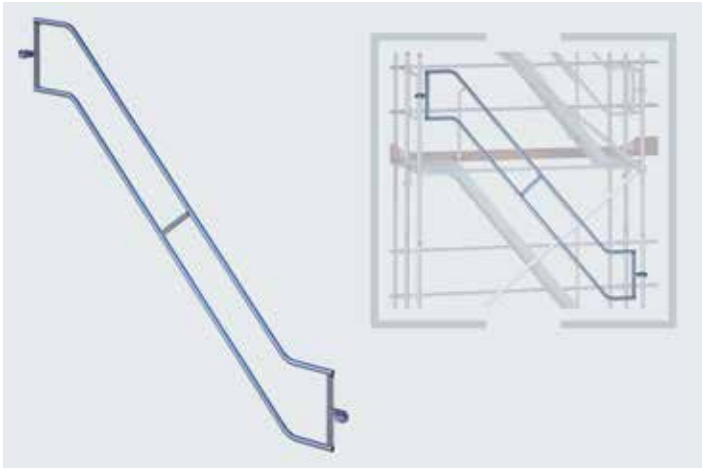
metric



Aluminium stair guardrail

Is attached to the stairway support and is a substitute for the stairway inner handrail when stairs run unidirectional (parallel).

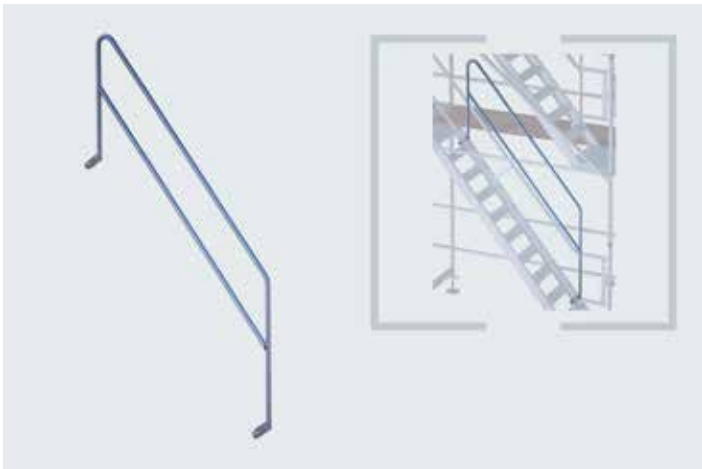
Info	H/L x B (m)	kg	Pack	Part No.	€/each
RX,PC,FS	0.60	3.00	10	01050	99.50



Outer handrail for aluminium stairway 2.00 m with platform

Steel handrail for aluminium stairway 2.00 m with platform. Attached using the integrated semi-couplers to the vertical tubes or modular standards. For bay lengths of 2.50 m.

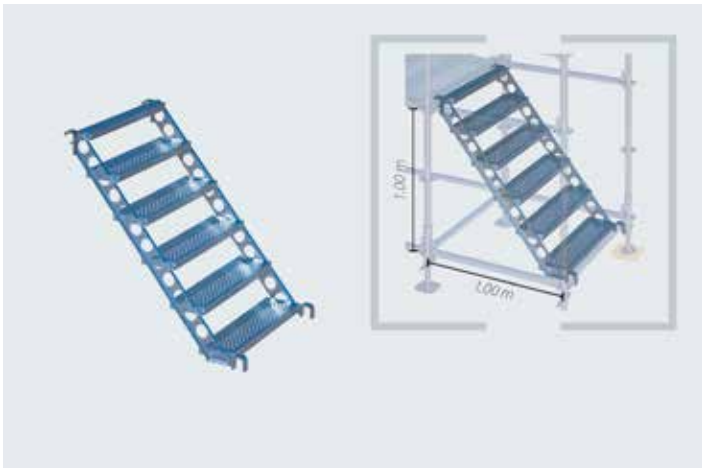
Info	H/L x B (m)	kg	Pack	Part No.	€/each
AF 19/RX,PC	3.45	16.00	25	01040_19	98.80
AF 22/RX,PC	3.45	16.00	25	01040_22	98.80



Inner handrail for aluminium stairway 2.00 m with platform

Steel handrail for aluminium stairway 2.00 m with platform. Attached to the stairway support using the clamping bracket with screw connection.

Info	H/L x B (m)	kg	Pack	Part No.	€/each
AF 19/RX,PC	2.15	12.40	25	01041_19	84.00
AF 22/RX,PC	2.15	12.40	25	01041_22	84.00

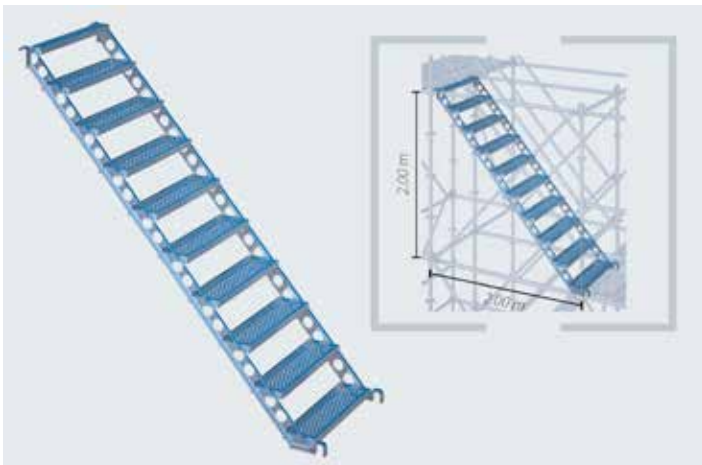


Steel site stairway 1.00 m for tube hook-up

Connecting element. Complements the steel site stairway 2.00 m. Entry stairs with approx. 1.00 m height for the first level or exit stairs for the crossover to the building. Comes with tube hook-up for modular or tube/coupler scaffolds. Load of up to 2 kN/m².

Info	H/L x B (m)	kg	Pack	Part No.	€/each
RX,PC	1.00 x 0.84	22.10	10	E04RS1268	215.00

metric



Steel site stairway 2.00 m for tube hook-up

For the convenient ascent in scaffolds or stair towers out of modular scaffolding. Offers sufficient space and enables convenient transportation of tools or bulky material. Durable and robust steel structure. For scaffold bays of 2.00 m length and a height level of 2.00 m. Side protection or handrail out of system diagonals or system-independent tube/coupler material. Load of up to 2 kN/m².

Info	H/L x B (m)	kg	Pack	Part No.	€/each
RX,PC	2.00 x 0.84	41.00	10	E04RS1004	335.00

metric



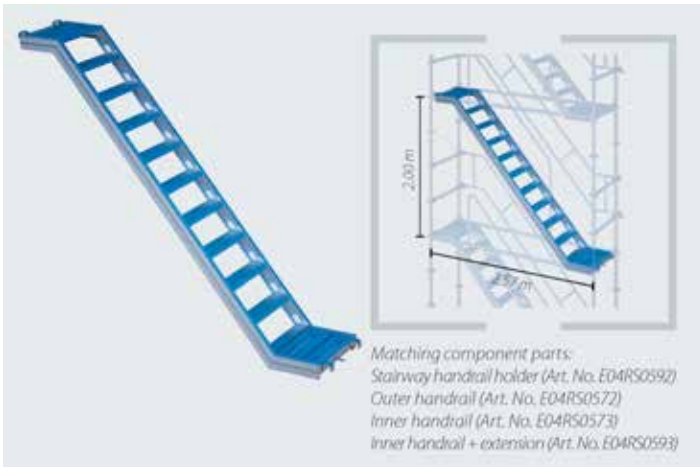
Steel site stairway 2.07 m for tube hook-up

For the convenient ascent in scaffolds or stair towers out of modular scaffolding. Offers sufficient space and enables convenient transportation of tools or bulky material. Durable and robust steel structure.

Level height: 2.00 m, bay length: 2.07 m, for tube hook-up. Design like the steel site stairway 2.00 m. Load of up to 2 kN/m².

Info	H/L x B (m)	kg	Pack	Part No.	€/each
LA	2.07 x 0.88	43.00	10	E04RS0965	339.00

07 dimension



Aluminium platform stairway 0.64 m for tube hook-up – LA 07 dimension

Bay length: 2.57 m

Bay height: 2,00 m

Load of up to 2 kN/m²

Info	H/L x B (m)	kg	Pack	Part No.	€/each
LA	2.57 x 0.64	23.00	10	E04RS0571	379.00



Aluminium platform stairway 0.64 m for U-shaped hook-up - LA 07 dimension

To enable regulation-conform scaffold access as per TRBS 2121. Anti-slip steps. Low weight thanks to aluminium design. Space-saving stackability for transport and storage.

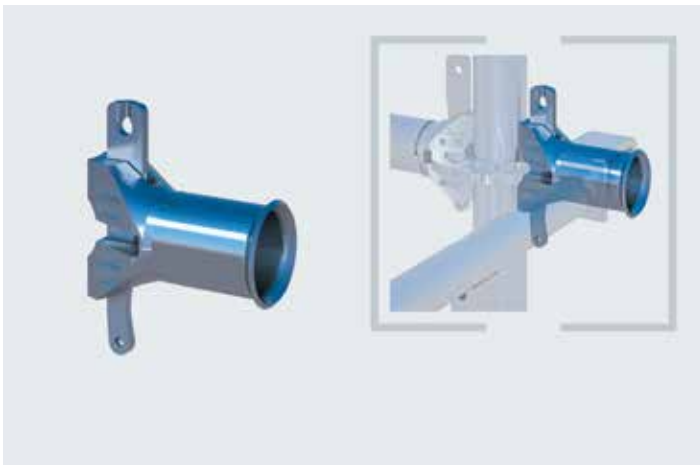
Bay length: 2.57 m

Bay height: 2.00 m

Load up to 2 kN/m²

Info	H/L x B (m)	kg	Pack	Part No.	€/each
	2.57 x 0.64	23.00	10	E04RS0589	365.00

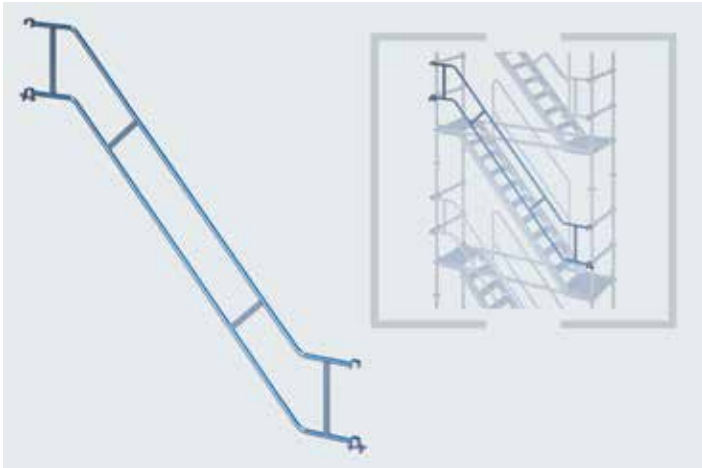
07 dimension



Stairway handrail holder

For outer stairway handrails.

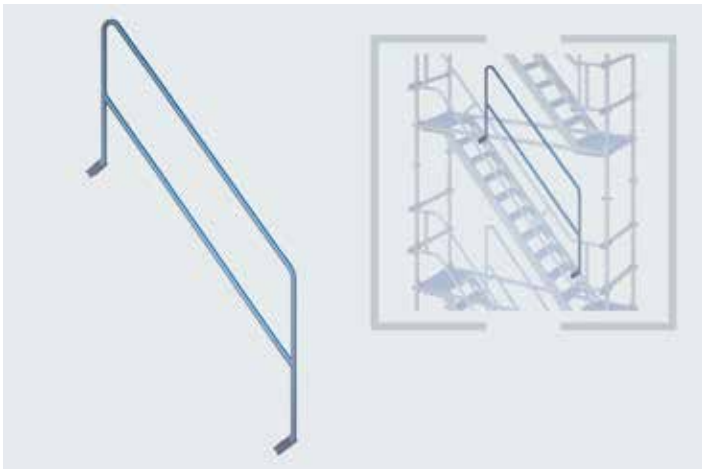
Info	H/L x B (m)	kg	Pack	Part No.	€/each
LA	0.11	0.75	50	E04RS0592	9.90



Outer stairway handrail

For aluminium platform stairway 0.64 m (H: 2.00 m x L: 2.57 m x W: 0.64 m) for tube hook-up (Art. No. E04RS0571) or for U-shaped hook-up (Art. No. E04RS0589).

Info	H/L x B (m)	kg	Pack	Part No.	€/each
LA	2.57 x 0.64	13.80	25	E04RS0572	99.50

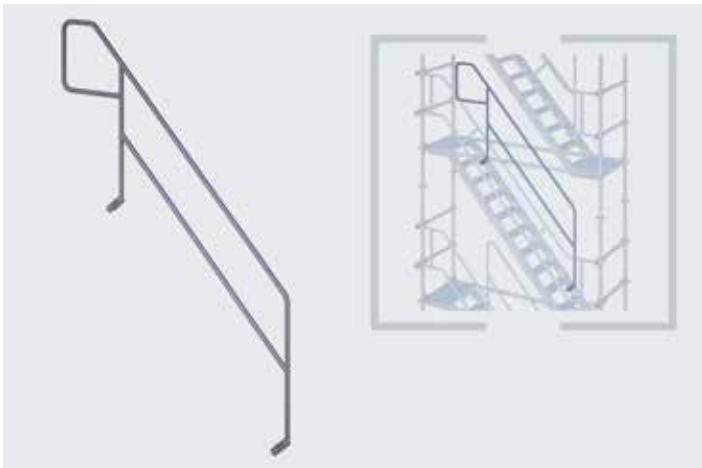


Inner stairway handrail

For aluminium platform stairway 0.64 m (H: 2.00 m x L: 2.57 m x W: 0.64 m) for tube hook-up (Art. No. E04RS0571) or for U-shaped hook-up (Art. No. E04RS0589).

Attached to the stairway support using the clamping bracket with screw connection.

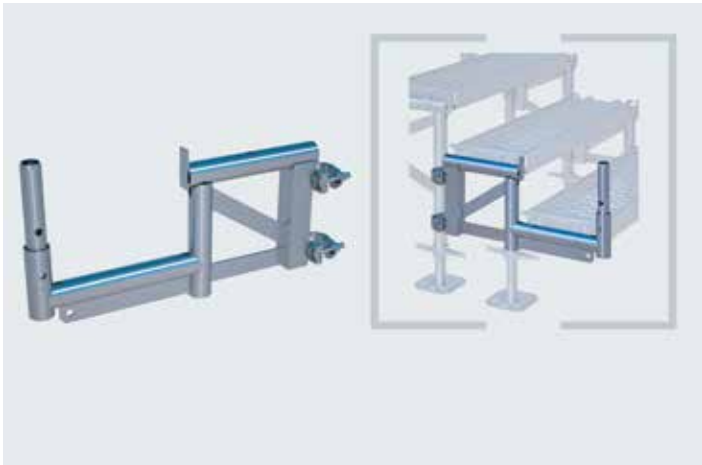
Info	H/L x B (m)	kg	Pack	Part No.	€/each
LA	2.57 x 0.64	10.90	25	E04RS0573	89.00



Inner stairway handrail with extension

For aluminium platform stairway 0.64 m (H: 2.00 m x L: 2.57 m x W: 0.64 m) for tube hook-up (Art. No. E04RS0571) or for U-shaped hook-up (Art. No. E04RS0589).

Info	H/L x B (m)	kg	Pack	Part No.	€/each
LA	2.57 x 0.64	13.70	25	E04RS0593	99.50 ①



Stair bracket lead-off adapter for tube hook-up

For the DIN-conform fitting of temporary stairs, in particular for intermediate heights and to enable access to the scaffold.

The scaffold stairs are flexible in height and width. Various stair widths of up to 3.07 m can be constructed with the use of decks (system-independent) for tube hook-up. The extension steps are implemented with stair brackets for tube hook-up. 2 lead-off adapters as well as 2 base jacks 0.30 m are required for each stairway. The decks are secured against lift by retainers integrated into the decks.

Info	H/L x B (m)	kg	Pack	Part No.	€/each
AF 19	0.68 x 0.32	7.70	10	01943_19	62.50
AF 22	0.68 x 0.32	7.70	10	01943_22	62.50



Stair bracket for tube hook-up

Extension steps for the scaffold stairway are created with stair brackets for decks with tube hook-up. They are positioned on the lead-off adapters for the first extension step and they can be flexibly supplemented in height and width (system-independent). Handrails can be fitted using either tubes or diagonals. 2 stair brackets are needed for each extension step. Step height approx. 160 mm to 190 mm. The decks are secured against lift by retainers integrated into the decks.

Info	H/L x B (m)	kg	Pack	Part No.	€/each
AF 19	0.30 x 0.48	4.90	50	01944_19	39.70
AF 22	0.30 x 0.48	4.90	50	01944_22	39.70

SMART DETAILS



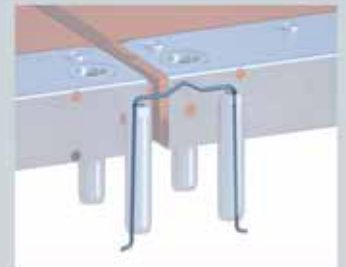
Flexible – This safe and convenient scaffold access allows step widths of between 0.65 m and 3.00 m and is an interesting alternative to system-independent solutions.



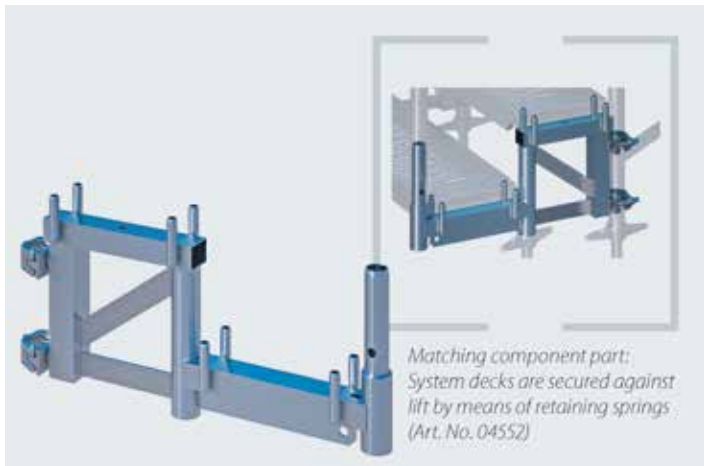
Matching component part – The lead-off adapter provides the ideal access and is correspondingly combined with stair brackets to match the height difference.



Alternative – We also offer the stair brackets and lead-off adapters for decks with tube hook-up (Art. Nos. 01943/01944)



Safe – Decks are secured against lift either by the integrated deck retainers or by retaining springs (Art. No. 04552) in the case of system decks.

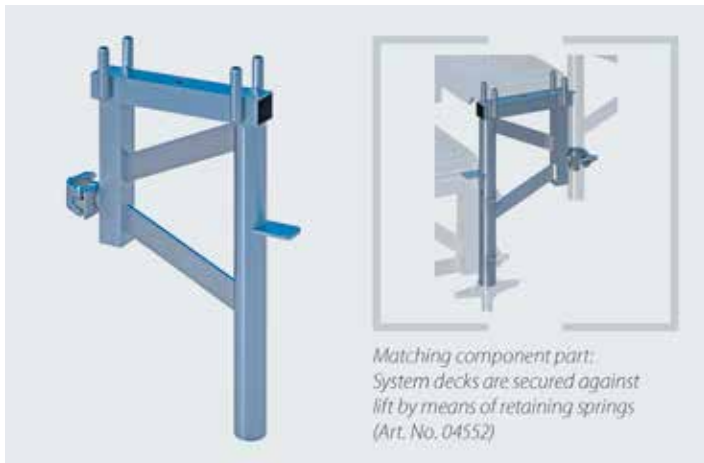


Matching component part:
System decks are secured against lift by means of retaining springs (Art. No. 04552)

Stair bracket lead-off adapter for system decks

For the DIN-conform fitting of temporary stairs, in particular for intermediate heights and to enable access to the scaffold. The scaffold stairs are flexible in height and width. Stair widths of 0.65 m to 3.00 m can be constructed with the use of SUPER system decks. The extension steps are implemented with stair brackets. 2 lead-off adapters as well as 2 base jacks are required for each stairway. SUPER system decks are secured against lift by locking springs (Art. No. 04552).

Info	H/L x B (m)	kg	Pack	Part No.	€/each
AF 19	0.68 x 0.32	8.00	10	01941_19	69.20
AF 22	0.68 x 0.32	8.00	10	01941_22	69.20

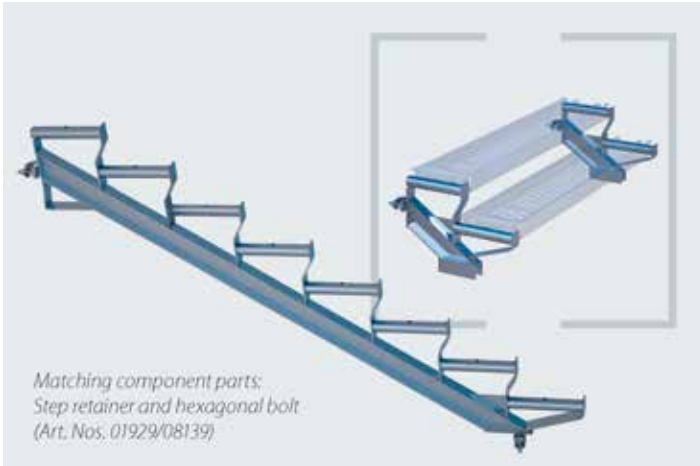


Matching component part:
System decks are secured against lift by means of retaining springs (Art. No. 04552)

Stair bracket for system decks

Extension steps for the scaffold stairway are created with stair brackets for SUPER system decks. They are positioned on the lead-off adapters for the first extension step and they can be flexibly supplemented in height and width. Guardrails can be fitted using either tubes or diagonals. 2 stair brackets are needed for each extension step. SUPER system decks are secured against lift by locking springs (Art. No. 04552).

Info	H/L x B (m)	kg	Pack	Part No.	€/each
AF 19	0.30 x 0.48	5.00	50	01942_19	44.60
AF 22	0.30 x 0.48	5.00	50	01942_22	44.60



Matching component parts:
Step retainer and hexagonal bolt
(Art. Nos. 01929/08139)

Universal stair stringer

For the erection of large-dimensioned stairway structures such as emergency, substitute or provisional stairways, temporary stair towers or for convenient scaffold ascent with tools and material. Stairway out of steel decks for tube hook-up with a width of 0.29 m or 0.32 m. Stairway inclination corresponds to a scaffold bay length of 3.00 m.

Info	H/L x B (m)	kg	Pack	Part No.	€/each
2 steps, AF 19	3.00 x 0.50	10.00	20	01931_19	48.00
2 steps, AF 22	3.00 x 0.50	10.00	20	01931_22	48.00
5 steps, AF 19	3.00 x 1.00	25.30	20	01920_19	118.00
5 steps, AF 22	3.00 x 1.00	25.30	20	01920_22	118.00
8 steps, AF 19	3.00 x 1.50	34.70	20	01932_19	177.50
8 steps, AF 22	3.00 x 1.50	34.70	20	01932_22	177.50
11 steps, AF 19	3.00 x 2.00	47.50	20	01921_19	259.00
11 steps, AF 22	3.00 x 2.00	47.50	20	01921_22	259.00

SMART DETAILS



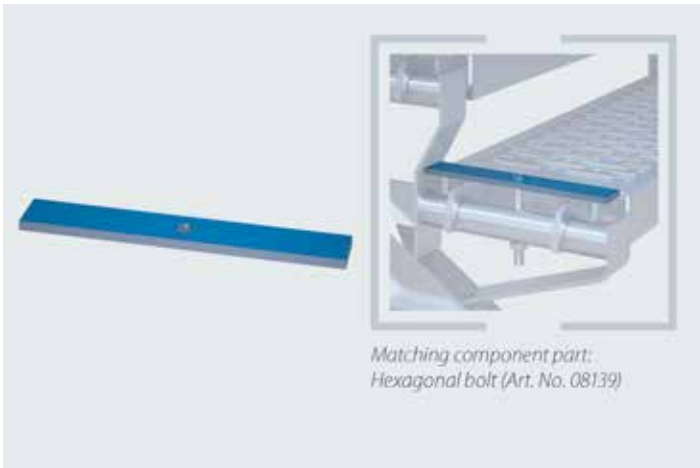
System-independent – The stair stringers can be fitted to various ledger lengths or system-independent component parts.



Height-flexible – Height combinations can be freely selected. This means that different stair heights can be combined – a specific advantage when considering access and exit options.



Emergency stairway – Universal stairway structures are highly resilient, secure against vandalism and proven as emergency escape routes.



Matching component part:
Hexagonal bolt (Art. No. 08139)

Step retainer

For securing the decks when using universal stair stringers. Prevents slippage or lifting of the individual steps

Info	H/L x B (m)	kg	Pack	Part No.	€/each
	0.26 x 0.04	0.67	20	01929	4.80

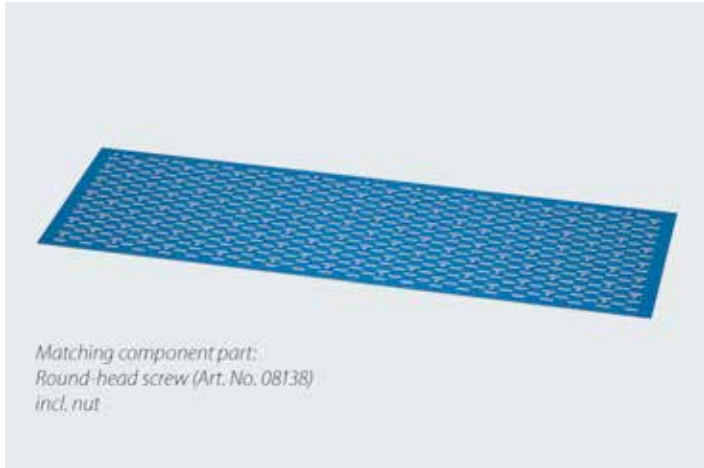


Delivery includes self-locking nut

Hexagonal bolt M12 x 100 for step retainer

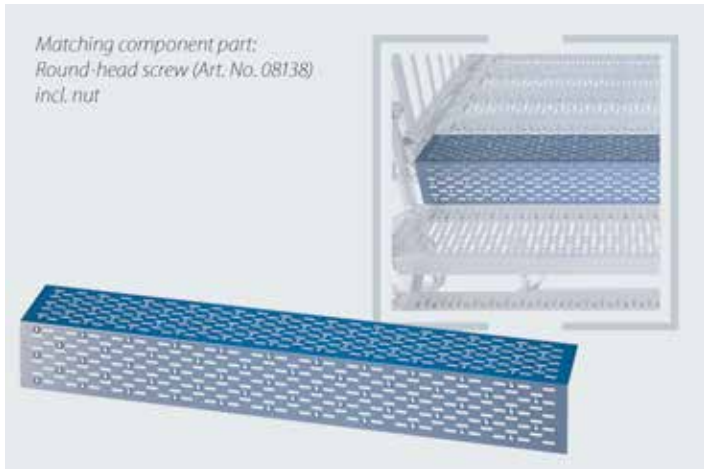
Needed for attaching the step retainer. The self-locking nut is included.

Info	H/L x B (m)	kg	Pack	Part No.	€/each
L: 100 mm		0.11	50	08139	0.97



Cover plate, flat
To cover gaps. Plate thickness 2 mm.

Info	H/L x B (m)	kg	Pack	Part No.	€/each
	0.85 x 0.45	4.90	1	08134	27.00
	1.35 x 0.45	7.90	1	08132	38.50



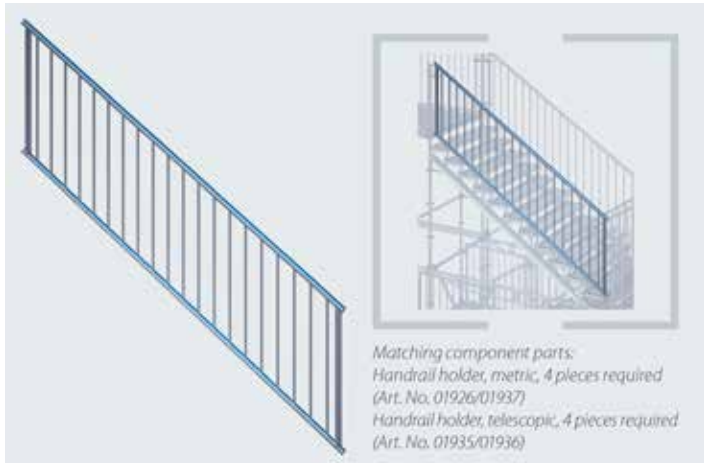
Cover plate, angled
To cover the steps. Plate thickness 2 mm.

Info	H/L x B (m)	kg	Pack	Part No.	€/each
	0.88 x 0.36	4.40	1	08135	21.40
	1.38 x 0.36	6.80	1	08130	32.50



Round-head screw
M6 x 25, DIN 603-MU-4.6, for the covering plate incl. large-diameter washer 6.4 x 25 and nut.

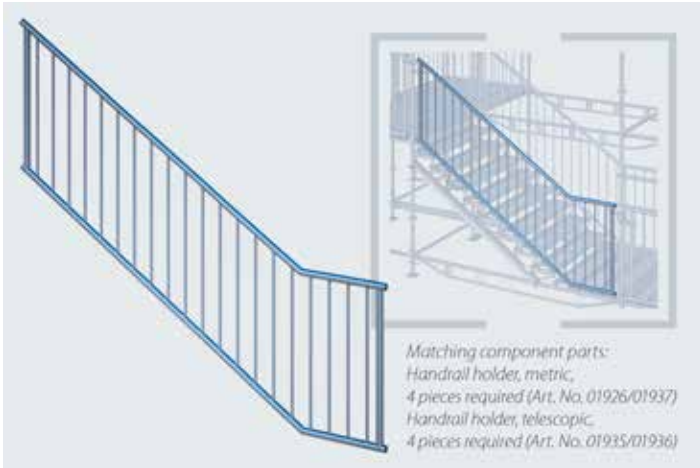
Info	H/L x B (m)	kg	Pack	Part No.	€/each
	0.02 x 0.01	0.02	200	08138	0.25



Handrail for universal stair stringer, 2.00 m x 3.00 m., inclined

Handrail type: inclined, long
Exit height: 2.00 m / 11 steps
Installation height: 1.10 m
Distance between the filling struts: 135 mm
Handrail holders required: 4 pieces
The system-independent solution for use in site and emergency exit stairways together with the universal stair stringer. Fitting is implemented with vandalism-secure screw connections and handrail holders as well as with metric handrail holders with tele-function for non-metric applications (07 and 09 dimensions).

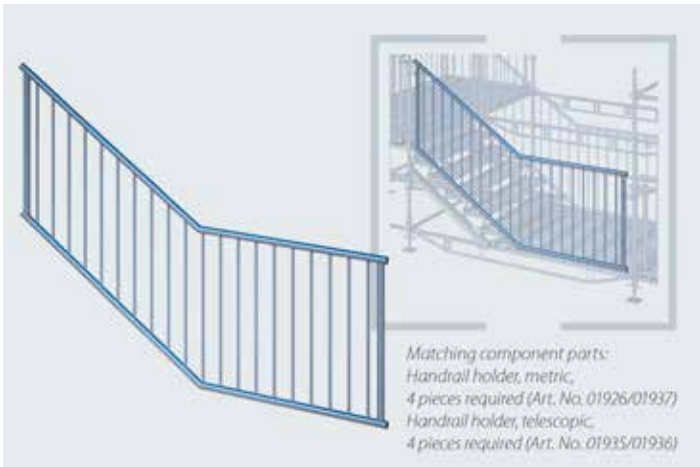
Info	H/L x B (m)	kg	Pack	Part No.	€/each
	2.00 x 3.00	40.00	10	01925	216.50



Handrail for universal stair stringer, 1.50 m x 3.00 m., inclined, angled

Handrail type: inclined with end kink (buckled)
Exit height: 1.50 m / 8 steps
Installation height: 1.10 m
Distance between the filling struts: 135 mm
Handrail holders required: 4 pieces
The system-independent solution for use in site and emergency exit stairways together with the universal stair stringer. Fitting is implemented with vandalism-secure screw connections and handrail holders as well as with metric handrail holders with tele-function for non-metric applications (07 and 09 dimensions).

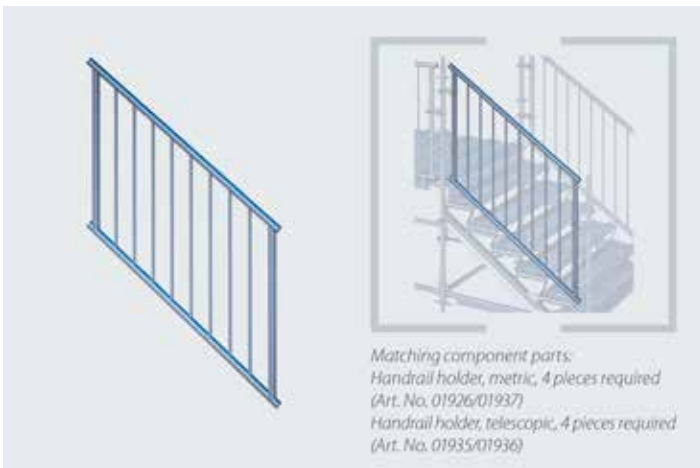
Info	H/L x B (m)	kg	Pack	Part No.	€/each
	1.50 x 3.00	48.00	10	01933	227.00



Handrail for universal stair stringer, 1.00 m x 3.00 m., inclined, angled

Handrail type: inclined with middle kink (buckled)
Exit height: 1.00 m / 5 steps
Installation height: 1.10 m
Distance between the filling struts: 135 mm
Handrail holders required: 4 pieces
The system-independent solution for use in site and emergency exit stairways together with the universal stair stringer. Fitting is implemented with vandalism-secure screw connections and handrail holders as well as with metric handrail holders with tele-function for non-metric applications (07 and 09 dimensions).

Info	H/L x B (m)	kg	Pack	Part No.	€/each
	1.00 x 3.00	48.00	10	01922	198.50



Handrail for universal stair stringer, 1.00 m x 1.50 m., inclined

Handrail type: inclined, short
Exit height: 1.00 m / 5 steps
Installation height: 1.10 m
Distance between the filling struts: 135 mm
Handrail holders required: 4 pieces
The system-independent solution for use in site and emergency exit stairways together with the universal stair stringer. Fitting is implemented with vandalism-secure screw connections and handrail holders as well as with metric handrail holders with tele-function for non-metric applications (07 and 09 dimensions).

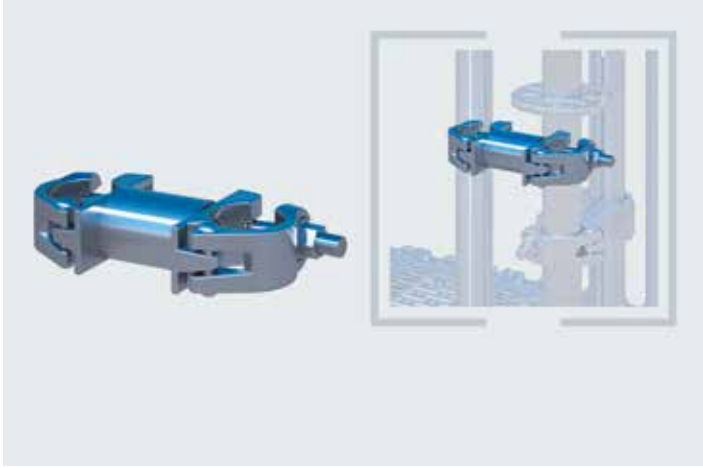
Info	H/L x B (m)	kg	Pack	Part No.	€/each
	1.00 x 1.50	25.00	10	01934	118.00



Handrail for universal stair stringer, straight

Handrail type: straight
Bays: 1.00 m / 1.50 m
(07 dimension / 09 dimension)
Installation height: 1.10 m
Distance between the filling struts: 135 mm
Handrail holders required: 2 pieces
The system-independent solution for use in site and emergency exit stairways together with the universal stair stringer. Fitting is implemented with vandalism-secure screw connections and handrail holders as well as with metric handrail holders with tele-function for non-metric applications (07 and 09 dimensions).

Info	H/L x B (m)	kg	Pack	Part No.	€/each
	1.10 x 1.00	18.00	10	01923	79.00
	1.10 x 1.50	25.00	10	01924	118.00



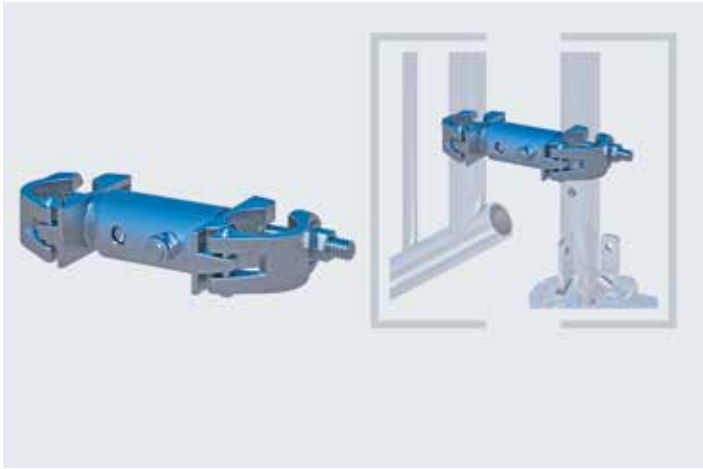
Handrail holder, metric

Suitable for metric scaffold bays.

Tightening torque of the collar nuts 50 Nm. Version corresponds to EN 74. Axial dimension: 128 mm.

Info	H/L x B (m)	kg	Pack	Part No.	€/each
RX / AF 19	0.13	1.60	20	01926	15.80
RX / AF 22	0.13	1.60	20	01937	15.80

metric



Handrail holder, tele

Suitable for 07/09 scaffold bay dimensions.

Tightening torque of the collar nuts 50 Nm. Version corresponds to EN 74. Axial dimension up to 163 mm.

Info	H/L x B (m)	kg	Pack	Part No.	€/each
PC,LA/AF 19	0.16	2.13	20	01935	16.20
PC,LA/AF 22	0.16	2.13	20	01936	16.20

07 dimension

Matching component part:
SCAFFGUARD aluminium rail
(Art. No. 07200)



Self-adhesive reflective foil, roll 90 mm x 50 m, red/white

Foil suitable as a warning sign e.g. for pedestrian tunnels. Fits into SCAFFGUARD aluminium rails (Art. No. 07200) for instance.

H/L x B (m)	kg	Pack	Part No.	for order volume of: €/each		
50.00 x 0.09	1.90	1	07240	1: 159.00	10: 128.00	25: 116.00

SNP NEW

Duralok mesh box, complete

Duralok stacking rack incl. base panel and side mesh sections. Comes with 4 crane lugs.

Info	H/L x B (m)	kg	Pack	Part No.	€/each
	1.25 x 0.85	109.40	1	E08SR0033	319.00 ①

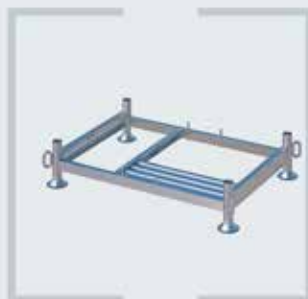


Duralok stacking rack, collapsible

Simple principle – numerous uses. Space-saving when not in use as it is collapsible. Consists of a base frame and four insertion tubes (diameter 48.3 mm). The insertion tubes can be substituted by longer ones when need be. Designed for fork-lift loading and crane transport. Stackable thanks to the large circular feet that also prevent any sinking into soft ground and protect the contact surface. Payload 1,500 kg; with 4 crane lugs. Rollers 10 kN (Art. No. 05507) can be used to make the rack manoeuvrable. Duralok side sections (Art. No. E08SR0035) for small parts available as an option.

H/L x B (m)	kg	Pack	Part No.	for order volume of: €/each		
1.25 x 0.85	45.60	20	E08SR0032	1: 210.00	10: 130.00	50: 119.00

SNP



Matching component parts:
Side mesh section (Art. No. E08SR0035)
Front mesh section (Art. No. E08SR0036)
Base panel (Art. No. E08SR0038)

SMART DETAILS



Logistics optimised – stackable,
- Fork-lift removal possible due to offset transoms
- Optional use of castors for the feet

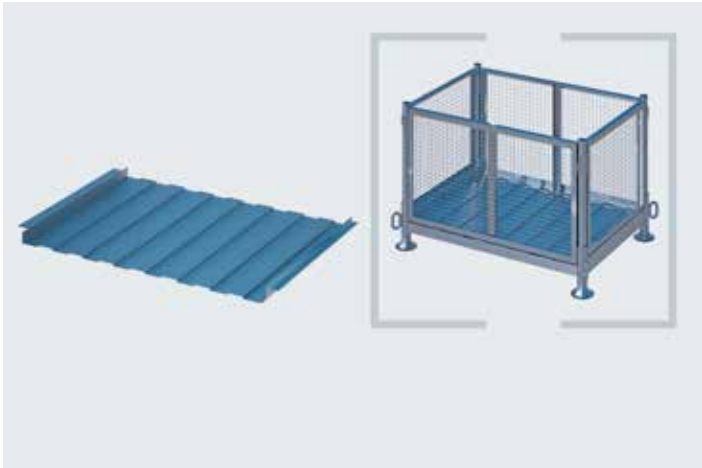


Versatile – The stacking pallet can be adapted to almost any application purpose with add-on component parts.



Complete remodelling – Additional insertion wall sections make a compact mesh box out of the light stacking pallet.



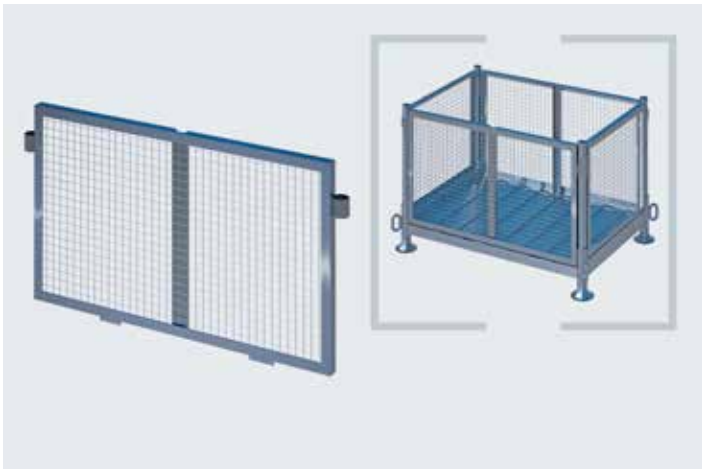


Duralok base panel

Reinforced base panel. As a spare part or for making a mesh box out of a Duralok stacking rack.

Info	H/L x B (m)	kg	Pack	Part No.	€/each
	1.25 x 0.85	19.50	1	E08SR0038	①

Price on request

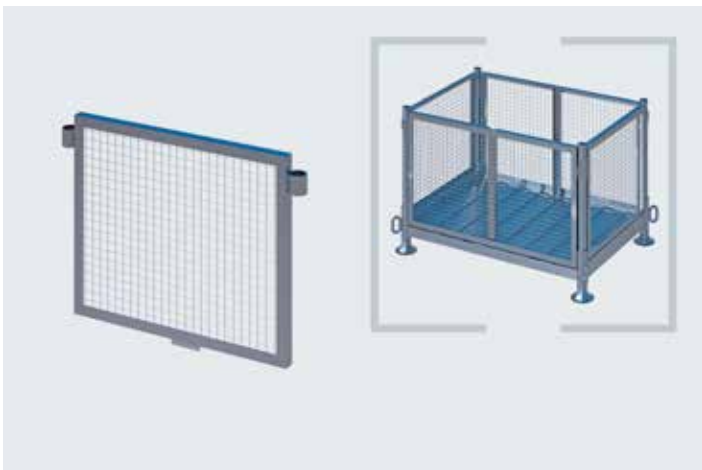


Duralok side mesh section

As a spare part or for making a mesh box out of a Duralok stacking rack.

Info	H/L x B (m)	kg	Pack	Part No.	€/each
	1.25	12.50	1	E08SR0035	①

Price on request

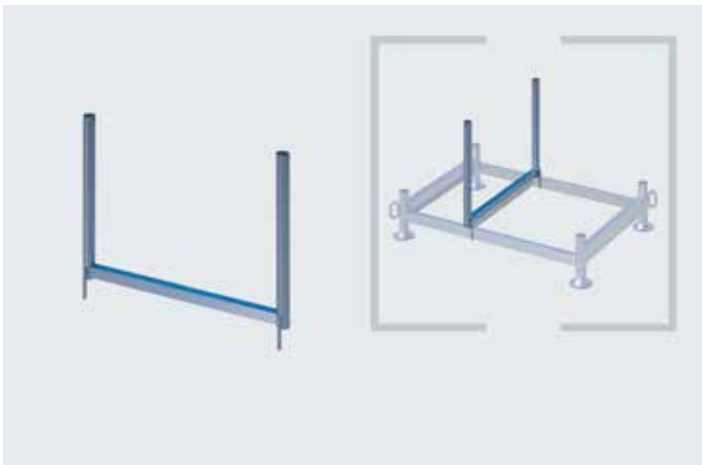


Duralok front mesh section

As a spare part or for making a mesh box out of a Duralok stacking rack.

Info	H/L x B (m)	kg	Pack	Part No.	€/each
	0.85	8.50	1	E08SR0036	①

Price on request

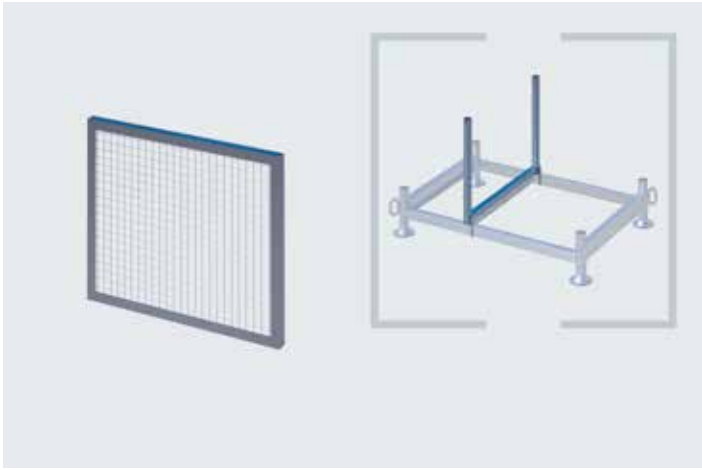


Central insertion frame

An intermediate element for the Duralok stacking rack for the storage and secure transport of short scaffold parts.

H/L x B (m)	kg	Pack	Part No.	for order volume of: €/each		
0.85	7.00	1	E08SR0034	1: 22.90	5: 18.50	10: 16.90 ①

SNP



Duralok central mesh section
Partition wall for Duralok mesh box.

Info	H/L x B (m)	kg	Pack	Part No.	€/each
	0.80	7.90	1	E08SR0037	21.90 ①



Blocks of concrete ballast

Enormous diversity, looks good, perfect product design.
Uses: scaffold ballast, protective barrier, cable bridge, advertising medium, building-site safety etc.

The numerous connection alternatives as well as the product design, allowing for a combination of several blocks to a much larger unit, enable a diverse range of applications for events and construction sites. Optimally used as a ballast for freestanding scaffold structures. Here, too, given the many connection possibilities, new options present themselves for making effective use of ballast.

Blocks are available in 600 kg and 1,000 kg alternatives.
Concrete quality: high-performance min. C55/67
Density of normal concrete: 2.4 kg/dm
Surface: exposed concrete
Recommendation: combine a max. of 3 blocks vertically

Features:

- Crane lugs, fork-lift capability
- Spindles or castors can be fitted
- Vertical combination since the blocks interlock with one another or from inserting scaffold tubes through the central scaffold tube opening
- Horizontal connection with scaffold tubes
- Combinable with scaffolding elements such as e.g. lattice girders
- An adapter plate for the central attachment of square elements is optionally available

Advertising:

Can be supplied in RAL colours
Stickers with company logo available

H/L x B (m)	kg	Pack	Part No.	for order volume of: €/each		
0.80 x 0.80	600.00	1	07047	1: 585.00	10: 425.00	20: 375.00
0.90 x 0.90	1,000.00	1	07046	1: 695.00	10: 495.00	20: 445.00

SNP

NEW

SMART DETAILS



Modular – The blocks ideally interlock with one another and can be combined vertically or horizontally to form stable units by using the integrated tube holding fixtures.



Practical – Blocks can be adapted to every scaffolding situation thanks to their many connection options and add-on possibilities – fork-lift optimised. Blocks have a weight

of one tonne and can be perfectly integrated into a company's corporate design through stickers bearing the company's logo or by applying individual colouring.





Underlay pad for base jack

Fitted with reflectors, out of plastic material.
H: 0.265 mm x L: 0.235 mm x W: 0.01 mm

Info	kg	Pack	Part No.	for order volume of: €/each		
	0.20	80	05632	1:	3.40	10: 2.45 50: 2.10

SNP



Protective cap for coupler connections

Fitted with reflectors, out of plastic material.

Info	kg	Pack	Part No.	for order volume of: €/each		
	0.12	30	05629	1:	3.80	10: 3.20 50: 2.85

SNP



Protective cap for tube ends

Fitted with reflector, Ø 48.3 mm tube.

Info	kg	Pack	Part No.	for order volume of: €/each		
L: 46 mm	0.03	30	05633	1:	2.95	10: 2.20 50: 1.75

SNP



Protective cap for tube ends without reflector

For tubes with an outer diameter of 48.3 mm. To cover up the cut edges.

Info	kg	Pack	Part No.	for order volume of: €/each		
	0.02	30	05634	1:	0.49	10: 0.35 50: 0.29

SNP



Protective cap for tube ends - grey

Out of grey plastic material, for tubes with Ø 48.3 mm.

Info	kg	Pack	Part No.	for order volume of: €/each		
	0.01	100	01220	1:	1.60	10: 1.20 50: 0.95

SNP



Protective cap for standard rings

Comes with opening for ledgers.

Info	kg	Pack	Part No.	for order volume of: €/each		
	0.06	30	05631	1:	3.40	10: 2.45 50: 1.90

SNP



Protective cap for standard rings, complete

Set consists of 2 caps.

Info	kg	Pack	Part No.	for order volume of: €/each		
	0.09	30	05630	1:	3.40	10: 2.45 50: 1.90

SNP



K++ proof of ownership

Individual and simple proof of ownership for new and existing material. Most stickers can be removed from smooth surfaces quite simply, which makes them unsuitable as proof of ownership.

By contrast, our K++ sticker adheres extremely well to the substrate. Moreover, it cannot be removed in one piece, but only in mini shreds.

Please request our print requirements should you be interested:

4-colour digital print (CMYK)

160 mm x 50 mm (min. quantity 3,000 pieces)

160 mm x 100 mm (min. quantity 5,000 pieces)

Approx. 5 years UV-resistant

Info	H/L x B (m)	kg	Pack	Part No.	€/each
	0.16 x 0.05	0.01	3000	07241	0.80
	0.16 x 0.10	0.01	5000	07242	0.98

NEW



Premium set

Revolution R2 safety harness incl. fixed back anchorage extension of 0.80 m + Manyard connecting devices with shock-absorbing lanyards + equipment bag. The combination out of lanyard and back anchorage extension (approved as per EN 363) on the Revolution R2 safety harness enables work on scaffold bays up to a height of approx. 3.00 m.

Info	H/L x B (m)	kg	Pack	Part No.	€/each
Size S/M		3.05	1	06120	219.00
Size L/XL		3.20	1	06121	219.00

SNP



Revolution R2 safety harness

Front and back fall arrest anchorage, sharp-edge tested back anchorage extension of 0.80 m, express setting, automatic locking, protected label compartment, comfortable back padding, strap-end clip, integrated accessory system, comfortable elastic DuraFlex straps, swivel joint connection. Corresponds to EN 361.

Info	H/L x B (m)	kg	Pack	Part No.	€/each
Size S/M		1.58	1	06123	179.00 ①
Size L/XL		1.73	1	06124	179.00 ①

SNP Other models on request



Manyard connecting devices with shock-absorbing lanyards

Sharp-edge tested, swivel design for more manoeuvrability, safety clip for attachment to safety harness, length 2.00 m, scaffold hook 63 mm. Horizontal approval (anchor point at foot height). Protected, new shock-absorbing lanyard package. Teflon-coated (longer service life). Corresponds to EN 354 and EN 355.

Info	H/L x B (m)	kg	Pack	Part No.	€/each
	2.00	1.00	1	06166	78.00

SNP



Twin Manyard connecting devices with shock-absorbing lanyards

Two-piece connecting device with shock-absorbing lanyards. Sharp-edge tested, swivel design for more manoeuvrability, safety clip for attachment to safety harness, length 2.00 m, scaffold hook 63 mm. Horizontal approval (anchor point at foot height). Protected, new shock-absorbing lanyard package. Teflon-coated (longer service life).

Info	H/L x B (m)	kg	Pack	Part No.	€/each
		1.50	1	06139	130.90

SNP



PVC equipment bag (red)

27 cm x 50 cm (D x L)

Info	H/L x B (m)	kg	Pack	Part No.	€/each
		0.40	1	06130	23.50

SNP



Connecting device with shock-absorbing lanyard

Sharp-edge tested, 12 mm woven inner core, 65 mm scaffold hook, length 2.00 m. Horizontal approval (anchor point at foot height). Protected, new shock-absorbing lanyard package.

Corresponds to EN 354 + EN 355 + EN 1891.

Info	H/L x B (m)	kg	Pack	Part No.	€/each
	2.00	1.15	1	06128	80.00

SNP



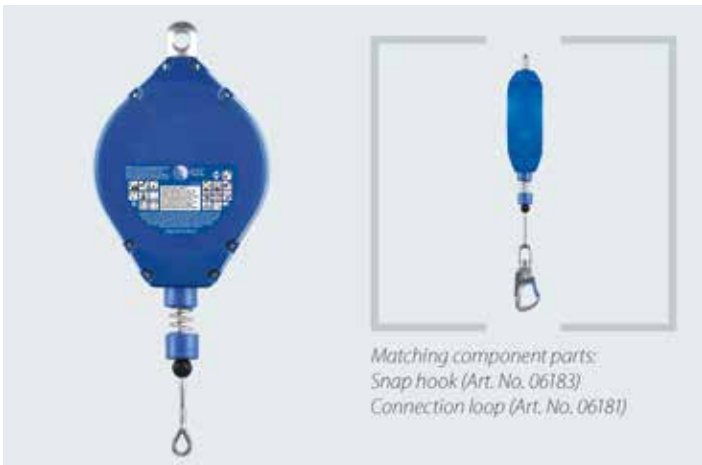
Scorpion fall arrester

Sharp-edge tested, Horizontal approval (anchor point at foot height), rapidly-triggered brake system, stops within a few millimetres, compact and light, length 2.70 m, corrosion-resistant material, Teflon-coated strap (longer service life).

Comes with 63 mm scaffold hook. Corresponds to EN 361.

Info	H/L x B (m)	kg	Pack	Part No.	€/each
	2.70	2.11	1	06127	169.00

SNP



Matching component parts:
Snap hook (Art. No. 06183)
Connection loop (Art. No. 06181)

Fall safety protection device

Comes with 18.00 m rope and blue plastic housing. Integrated fall impact absorber, snap hook with turbulence and fall display, with IKV 08. Safety device for horizontal and vertical applications. 15.00 m useful length, edge-tested steel rope.

Please also order: connection loop (Art. No. 06181) and steel snap hook (Art. No. 06183)!

Info	H/L x B (m)	kg	Pack	Part No.	€/each
		6.30	1	06180	357.50

SNP



Connection loop for fall safety protection device HWPS 18

To affix the safety device (lifeline) to the anchorage point on the scaffolding. 6 mm steel rope.

Info	H/L x B (m)	kg	Pack	Part No.	€/each
	0.50 x 0.06	0.20	1	06181	7.80



Snap hook HWPS 18

To be used in combination with the fall safety protection device HWPS 18 and e.g. Manyard or twin Manyard connecting devices.

Info	H/L x B (m)	kg	Pack	Part No.	€/each
		0.27	1	06183	11.25



Rescue set ABS 3 WH

Comes with 20.00 m rope, 1 IK AB 100, 1 IKV 13, 1 telescopic rod, 1 carrier bag (41-RSET/20). Incl. hand wheel and crank to lift. Automatic speed control.

Info	H/L x B (m)	kg	Pack	Part No.	€/each
SC3	20.00	6.20	1	06184	629.00
SC3	40.00	6.20	1	06185	677.50
SC3	20.00	5.69	1	06186	554.00
SC3	40.00	5.69	1	06187	601.50

SNP



Kask helmet

Comfortable work safety helmet:

- High-density, impact-resistant outer shell with drip edge
- 390 g light
- 10 air slits for particularly good ventilation
- Protected by a high-strength, aluminium mesh
- Adjustment by means of hand wheel with rubberised outer ring for enhanced grip
- Adapter clips on the outer shell for the attachment of accessories such as head-lamps and various visors
- Internal padding can be washed at 30°
- Anti-allergic fabric with polygiene treatment prevents the growth of bacteria and bad odours
- Individually adjustable chinstrap with 4 anchor points
- Ring on chinstrap for attachment to belt or work gear
- Universally adjustable from 51 - 63 cm
- Corresponds to EN 397

Info	H/L x B (m)	kg	Pack	Part No.	€/each
white		0.56	1	07133	69.00
yellow		0.56	1	07170	69.00
orange		0.56	1	07171	69.00
red		0.56	1	07172	69.00
green		0.56	1	07173	69.00
british green		0.56	1	07175	69.00
royal blue		0.56	1	07176	69.00
blue		0.56	1	07177	69.00
black		0.56	1	07178	69.00

SNP



Miller helmet

Comes with chinstrap, red, with industrial approval as per EN397.

- Comfortable internal padding and chinstrap
- Good air circulation prevents the formation of moisture
- Universally adjustable from 51 - 61 cm
- Corresponds to EN 397

Info	H/L x B (m)	kg	Pack	Part No.	€/each
red		0.50	1	06134	59.00

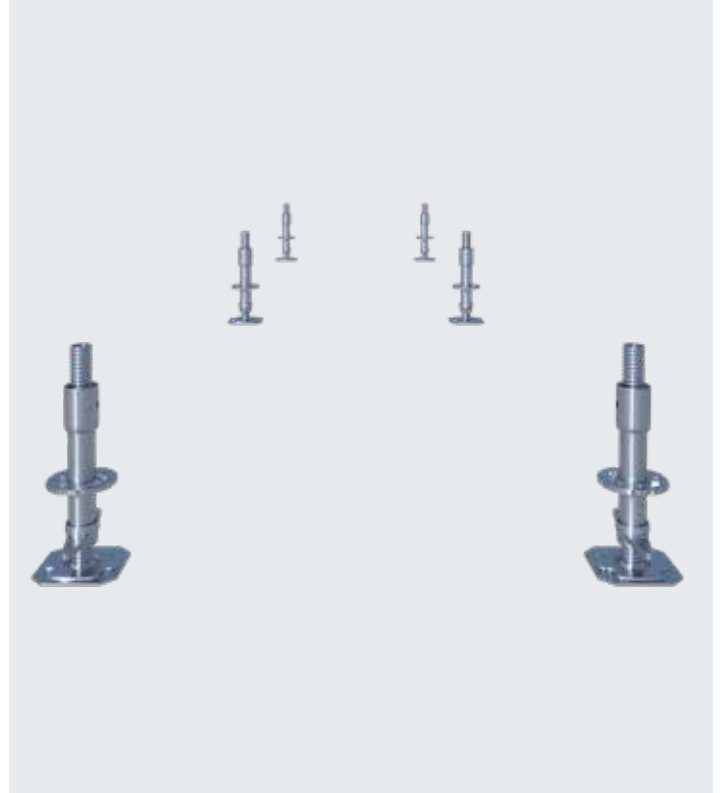
SNP

ASSEMBLY - MODULAR SCAFFOLDING WITH A SIMPLE UNDERLYING PRINCIPLE

Details on how to assemble and on the various applications can be seen in the currently valid versions of our RINGSCHAFF Instructions for Assembly and Use. These can be found in the download section of the www.scafom-rux.de homepage.

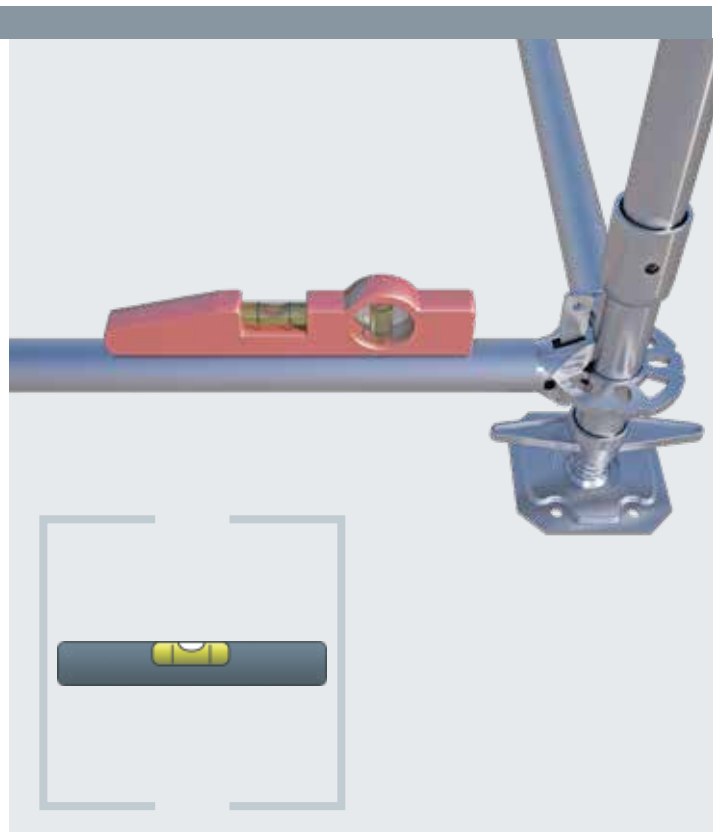
STEP 1: THE BASIS IS ESTABLISHED

The base jacks are fitted with standard lead-off adapters and correspondingly positioned to suit the job on hand.



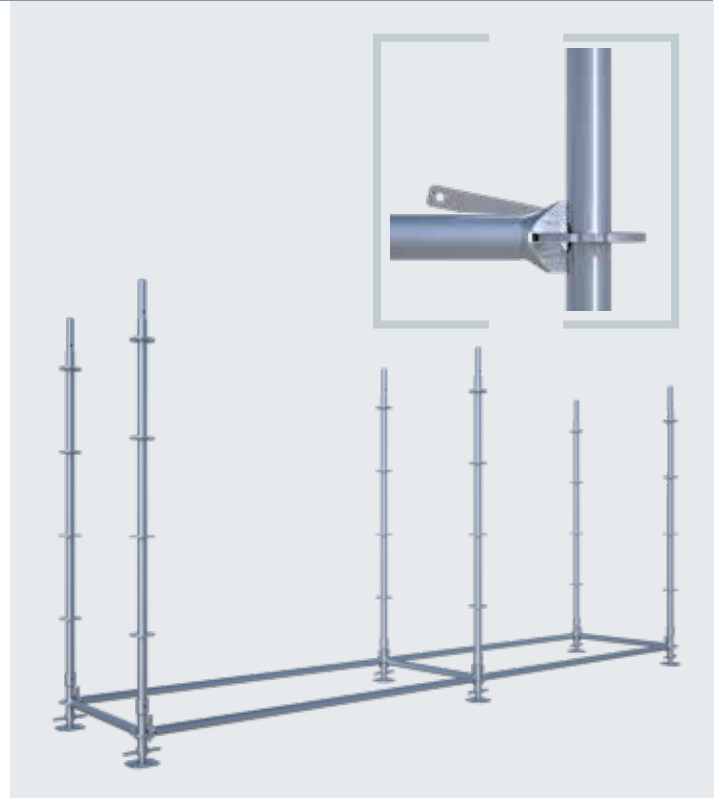
STEP 2: LEVELLING

The horizontal connections are levelled-off and thereby automatically ensure the perpendicular alignment of the scaffolding.



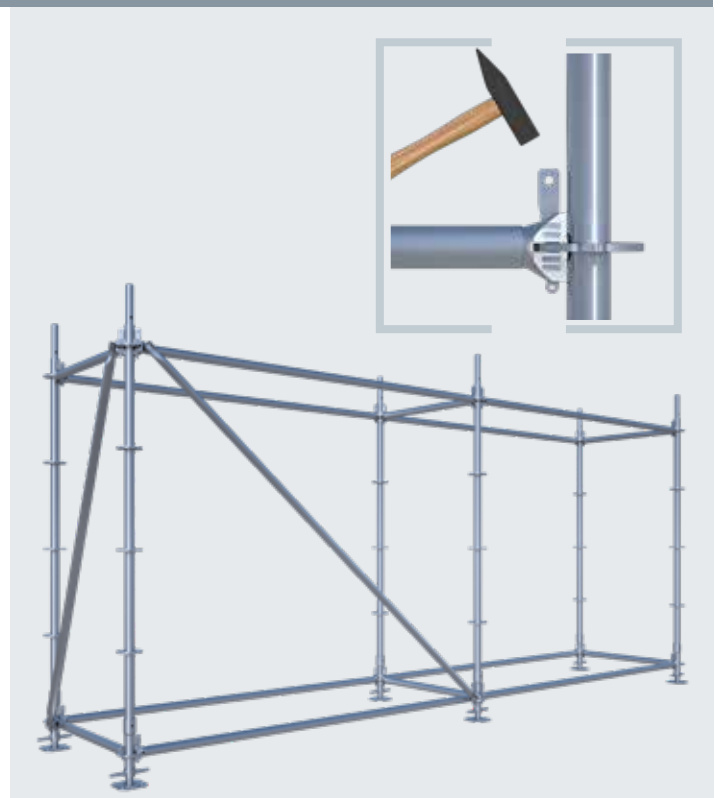
STEP 3: THE FIRST STANDARDS

The standards are inserted into the lead-off adapters.



STEP 4: THE BASIC STRUCTURE

Ledgers and diagonals are then fitted at the next level. Decks can then be inserted and fitted if required.



ALUMINIUM PLATFORM STAIRWAY LIGHT AND EFFICIENT

The 4-leg, lightweight stair tower by scafo-m-rux is the smallest version of a separate stair ascent solution on a modular scaffolding basis.

The stair tower can be freely placed in a scaffold bay that the user considers best for the ascent. Aluminium platform stairways are used that are suitable for tube hook-up.

The stair tower is particularly recommendable whenever there is little traffic or low frequency in terms of people and material.

FEW PARTS, EFFICIENT ASCENT!



Aluminium platform stairway for tube hook-up

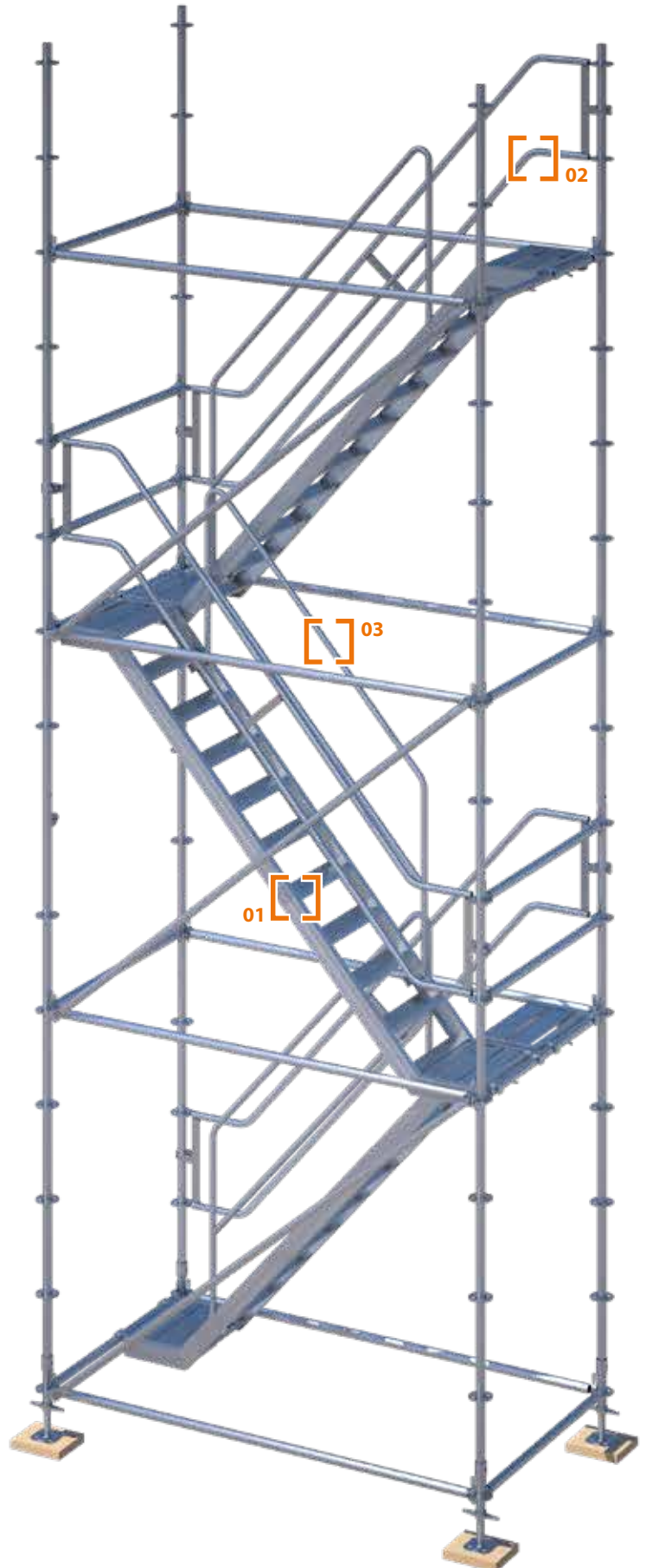


Fitted directly to the stairs

Practical, simple and safe – the aluminium platform stairway for tube hook-up is attached directly to the decking ledger and firmly anchored there by means of a securing ledger. The handrails are mounted directly on the stair stringers on the inside by means of wedges and securely fastened on the outside with couplers to the scaffold standards.

BASIC ELEMENTS

- 01 Aluminium stairway with platform (tube hook-up)
- 02 Outer handrail
- 03 Inner handrail

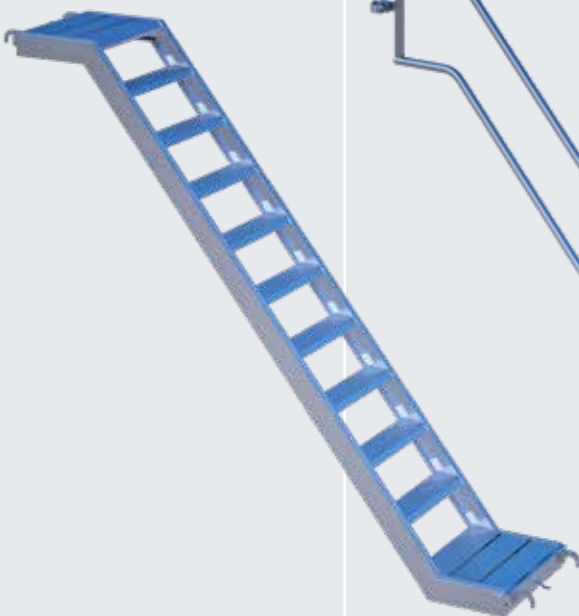
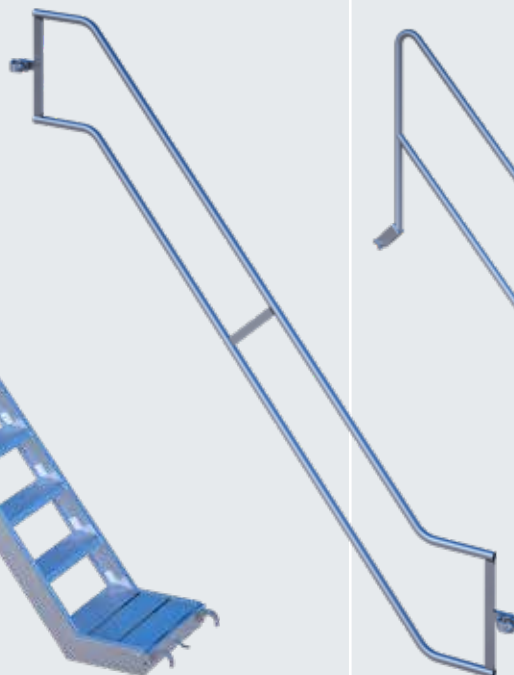


SPECIFICATIONS

Traffic load	Up to 2.0 kN/m ²
Stair width	0.60 m
Stair height	0.20 m
Base area	2.50 m x 1.25 m
System compatibility	Modular RINGSCAFF scaffolding (metric) and VARIANT as well as SUPER façade scaffolding with corresponding head sections (exchangeable)

One stairway, several systems

The tube hook-up head sections of the aluminium platform stairway can be easily exchanged for the pin-designed head sections required by the SUPER façade scaffolding system, enabling the stairway to be used with both systems. The outer and inner handrails can similarly be applied in both systems.

01
 ALUMINIUM
 STAIRWAY
 WITH PLATFORM

02
 OUTER
 HANDRAIL

03
 INNER
 HANDRAIL

**EVERYTHING
 SIMPLE
 WITH JUST A
 FEW ELEMENTS**

The **RINGSCAFF modular scaffolding** is the basis for the lightweight stair tower with the aluminium platform stairway.

Besides the classic RINGSCAFF system elements such as e.g. standards and ledgers, only these 3 additional components are necessary for a secure ascent in a metric system.

The fitting of the aluminium platform stairway for tube hook-up can be either unidirectional (parallel) or bidirectional.

STEEL SITE STAIRWAY INGENUOUSLY INTEGRATED

The scafo-m-rux steel site stairway is particularly suitable for higher traffic frequency and where oncoming traffic is likely to be encountered. Thanks to the stair width, it is well suited for ensuring a smooth functioning of work on the building site.

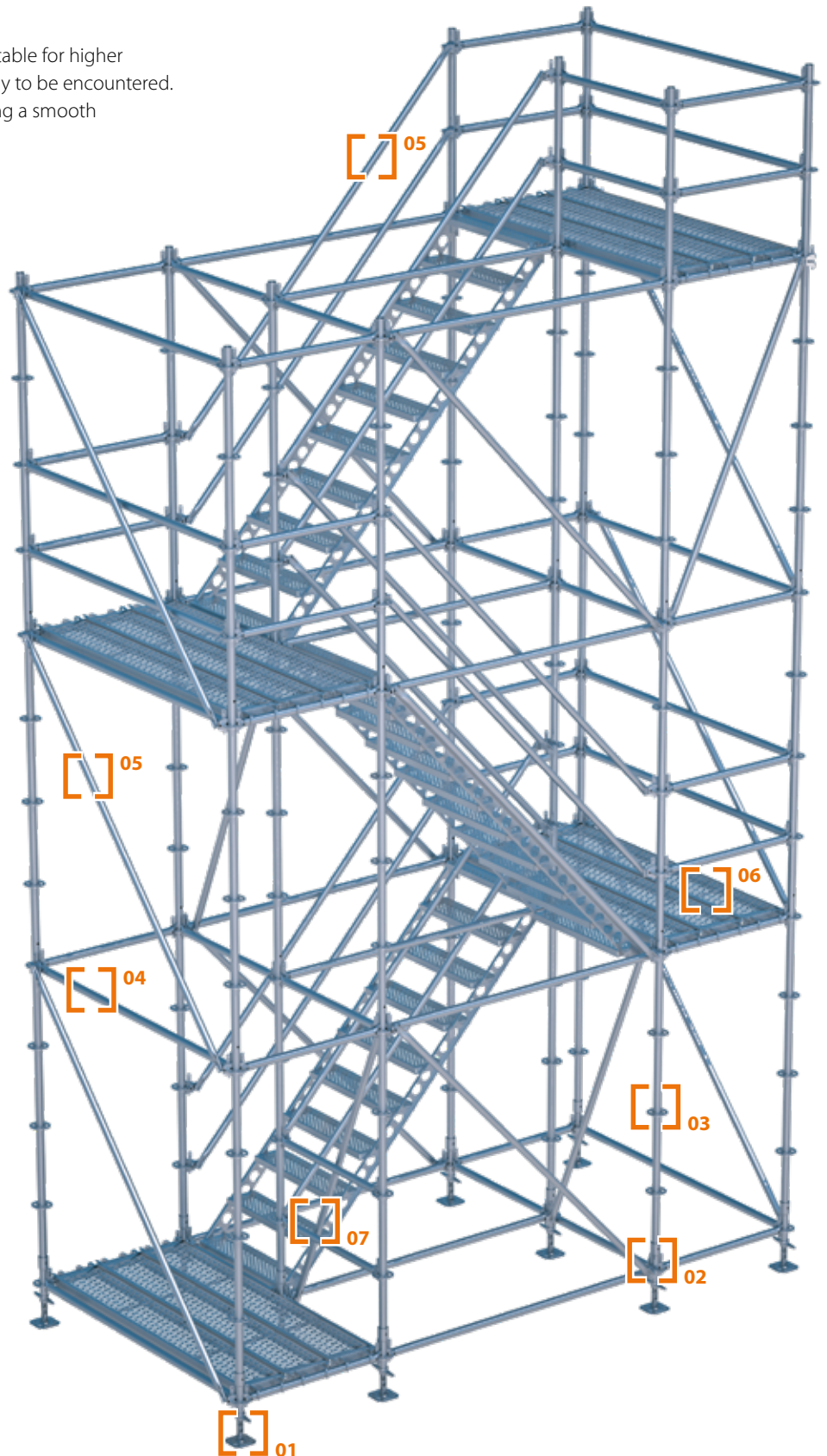
The stair tower is erected in a metric dimension on 10 legs. There are 12 legs in the non-metric version. The base area required is approx. 4.00 m x 2.00 m.

The stair tower merely needs standard RINGSCAFF components and only the stairway itself is a special component. Handrails are created using normal diagonals.

LEAN STRUCTURE,
 LEAN STOCK
 MANAGEMENT!

BASIC ELEMENTS

- 01 Base jack
- 02 Standard lead-off adapter
- 03 Standard with tube connector
- 04 Ledger
- 05 Diagonal (identical for bays and handrails)
- 06 Steel decks
- 07 Steel site stairway



SPECIFICATIONS

Traffic load	Up to 2.0 kN/m ²
Stair width	0.90 m (for oncoming traffic)
Step height	0.20 m
Base area	4.00 m x 2.00 m
System compatibility	Modular RINGSCAFF scaffolding, metric and 07 dimension
Classification	EN 12811, class B
Approval	Scaffolding supporting structure out of RINGSCAFF, Approval No. Z-8.22-869

STEEL SITE STAIRWAY

Thanks to the combination of 2.00 m and 1.00 m stairways almost any exit height can be achieved with some small adjustments. The stairs can be used for both metric as well as 07 dimensions.



PRACTICAL, ECONOMIC, CLEVER

The entire stair tower structure is assembled with standard components from the RINGSCAFF range. No special elements such as e.g. handrails need to be bought since diagonals are used for this purpose.

Platforms are assembled using steel decks with tube hook-up.

Again, sustainable multiple uses!

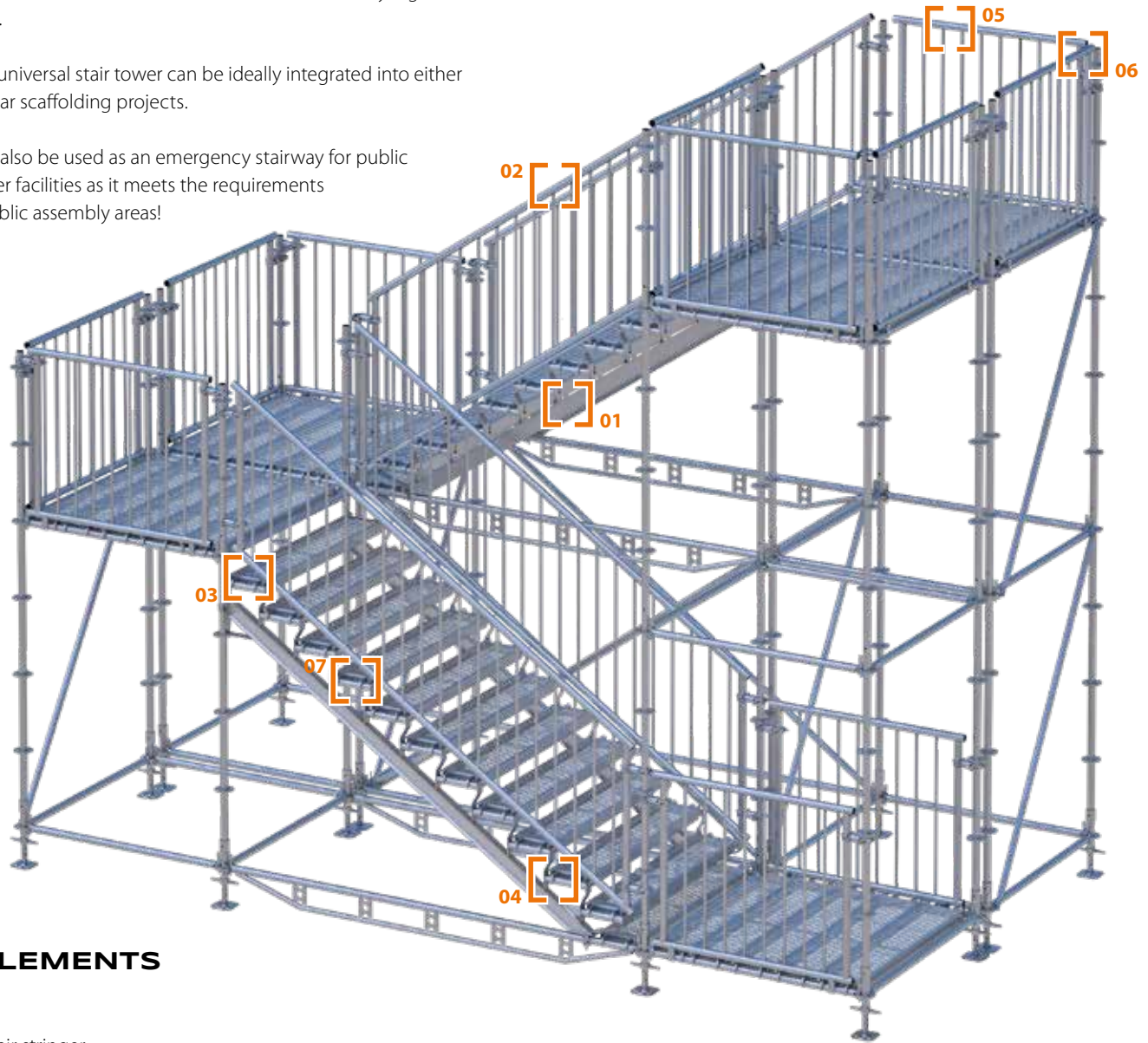
STAIR TOWER WITH UNIVERSAL STAIR STRINGER

THE FLEXIBLE, CONVENIENT SOLUTION

Universal usage, flexible set-up and safe when the highest demands need to be met: as is the case when confronted with extremely high traffic frequency.

The scafom-rux universal stair tower can be ideally integrated into either façade or modular scaffolding projects.

Moreover, it can also be used as an emergency stairway for public buildings or other facilities as it meets the requirements pertaining to public assembly areas!



BASIC ELEMENTS

- 01 Universal stair stringer
- 02 Handrail, inclined with filling struts
- 03 Steel or aluminium decks for tube hook-up
- 04 Mounting plates in various sizes
- 05 Handrail, straight with filling struts
- 06 Handrail holder (rigid/telescopic)
- 07 Secure against lift and vandalism



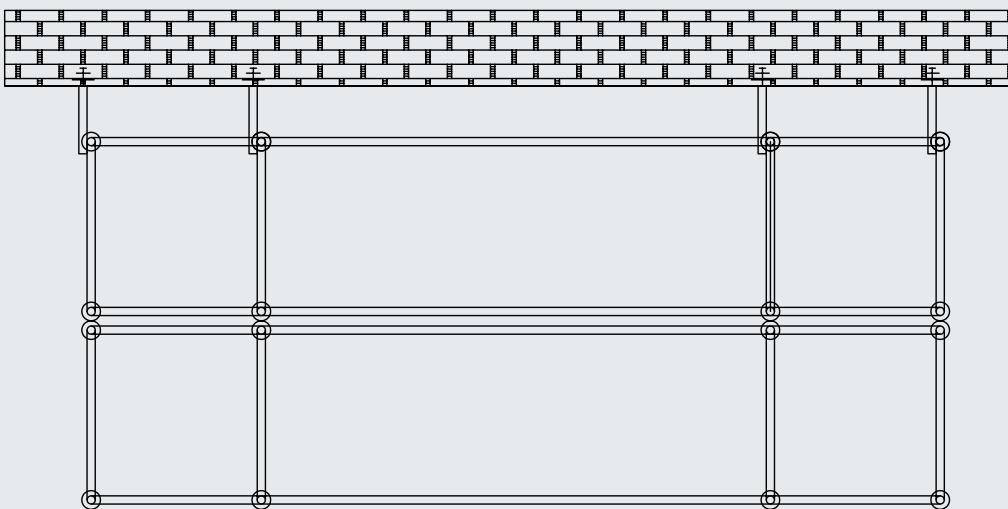
*Well considered:
 Together with the SCAFFGUARD
 cladding system, a "panic-door
 solution" can be readily installed,
 allowing an escape outdoors but not
 one that enables access indoors.*

SPECIFICATIONS

Traffic load	Up to 7.5 kN/m ²
Stair width	Variable from 0.65 m to 3.07 m
Stair height	16.60 cm
Base area	Variable (examples on the following pages)
System compatibility	Modular RINGSKAFF scaffolding, suitable for all scaffolding as a front-mounted stair tower
Classification	Corresponds with the requirements pertaining to public assembly areas
Approval	Scaffolding supporting structure out of RINGSKAFF, Approval No. Z-8.22-869

THE EMERGENCY STAIRWAY SOLUTION

The concept of the RUX universal stair tower 750 is based on a 12 to 16-leg scaffolding foundation and meets the higher requirements demanded in the regulation pertaining to public assembly areas.



SIMPLE ASSEMBLY, FLEXIBLE WIDTH

The basic structure is built with standard components from the RINGSKAFF range.

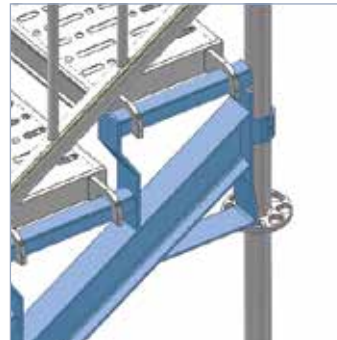
Special elements such as the universal stair stringer and the handrails with filler struts complete the system. Standard scaffold decks with tube hook-up are inserted into the stair stringers as required. The width of the stairs can therefore be freely selected between 0.65 m and 3.07 m.



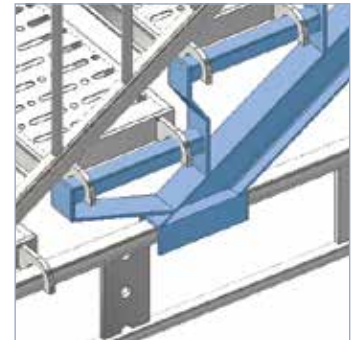
UNIVERSAL STAIR STRINGER FLEXIBLE IN HEIGHT

The different heights of **0.50 / 1.00 / 1.50 or 2.00 meters** can be freely selected at every level and this makes it easier to adapt to the structure-related circumstances on site to enable access at various heights.

This means that the stair height can always be optimally adjusted to suit the local situation. It is even possible to make a subsequent modification to the scaffolding.



Flexible:
The base ring is left free when the stair stringer is mounted, leaving it available for other important connections to be fitted such as e.g. ledgers and diagonals.



Individual:
The lower support of the stair stringer is positioned directly on the ledger. This means that the same ledger can be used for all stringer heights. The system is completed with steel decks or planks for tube hook-up.



https://www.smartclip.de



The universal stairway as an emergency stairway tower for areas frequented by the public: There is a short animation film on this theme, summarising the advantages of the system – it is also very suitable for use as an argumentation aid towards your customers!

SMART CLIP

PROTECTION AGAINST VANDALISM? **INCLUSIVE**

Unfortunately, an issue that keeps coming up – vandalism is something that always needs to be considered when erecting long-term scaffolding.

The scafom-rux system is entirely bolted down and is therefore better protected against any spontaneous disassembly.



Bolted handrail holders



Bolted crossover plates



Bolted decks



Bolted stair stringers

SECURE AGAINST VANDALISM

The stair stringers and the handrails as well as the deck retainers and crossover plates are all securely bolted down. The classic wedge connections are omitted for safety reasons.



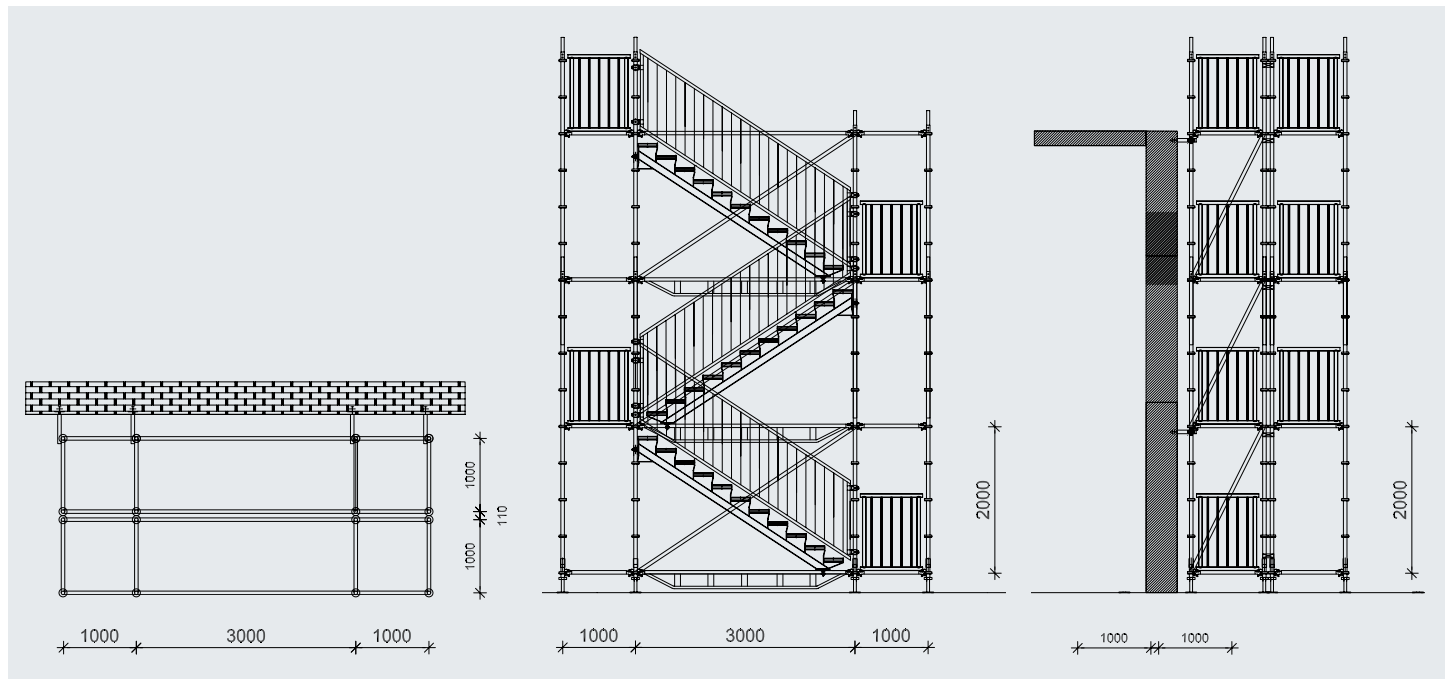
EVERYTHING IN REGULATION

In an urgent situation, many people need to be evacuated as quickly as possible via the emergency stairway.

The required load capacities as well as other safety aspects such as e.g. step height etc. are governed by the relevant regional building codes (DIN 18065) and by the requirements pertaining to public assembly areas (VStatVo).

The scafom-rux emergency stairway towers satisfy these more rigorous conditions.

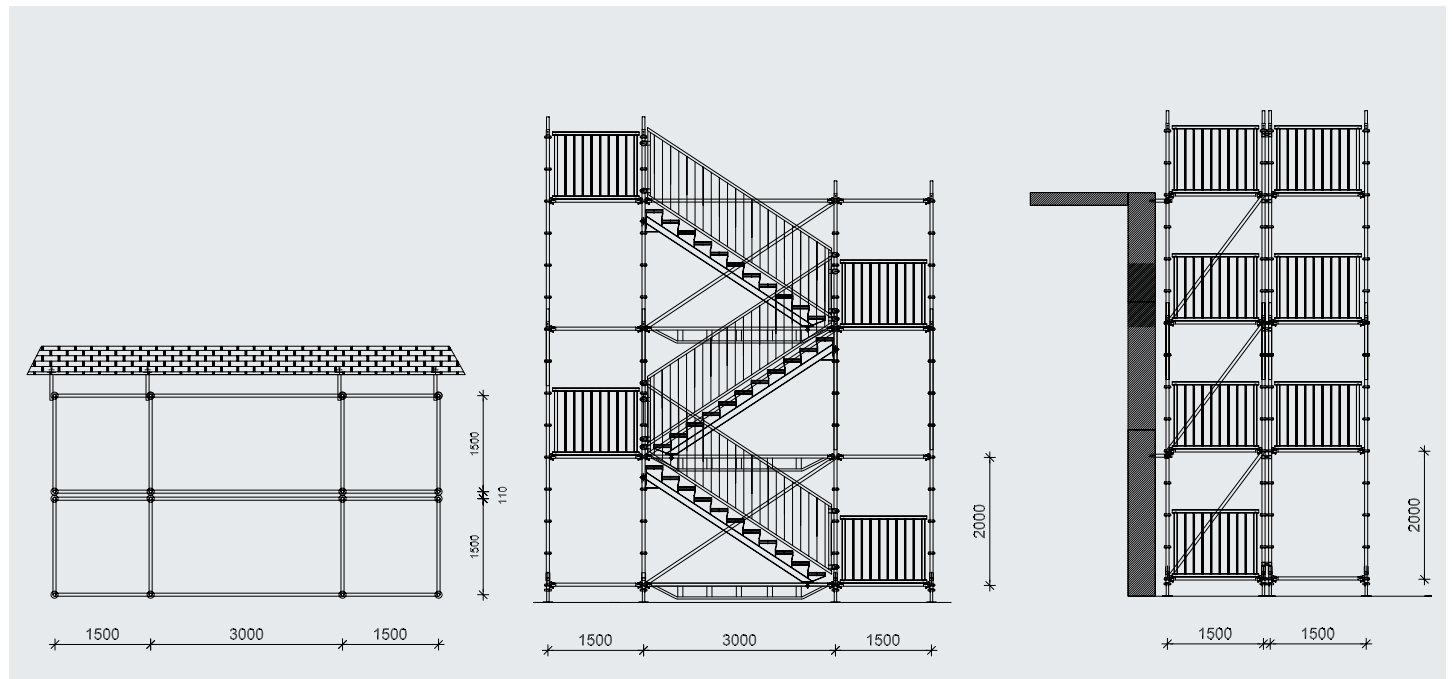
STAIR TOWER WITH UNIVERSAL STAIR STRINGER
 16-LEG FOR STAIR AND PLATFORM WIDTH OF 1.00 M



Material list for 16-leg stair tower with universal stair stringer: stair and platform width 1.00 m

Article Designation	Article No.	Exit height in m									
		4.00	6.00	8.00	10.00	12.00	14.00	16.00	18.00	20.00	
Special parts for stair towers											
Universal stair stringer 3.00 m x 2.00 m	01921	4	6	8	10	12	14	16	18	20	
Handrail for universal stair stringer 3.00 m x 2.00 m	01925	4	6	8	10	12	14	16	18	20	
Handrail for universal stair stringer, straight, 1 m	01923	8	12	16	20	24	28	32	38	40	
Handrail holder, metric	01926	32	48	64	80	96	112	128	144	160	
Step retainer	01929	44	66	88	110	132	154	176	198	220	
Hexagonal bolt M12 x 100 for step retainer	08139	44	66	88	110	132	154	176	198	220	
Round-head screw	08138	4	8	12	16	20	24	28	32	36	
Cover plate, flat 1 m	08134	1	2	3	4	5	6	7	8	9	
Compensation deck 0.14 m x 1 m with wedge head	E04RS1211	4	6	8	10	12	14	16	18	20	
Base jack 0.78 m	00360	16	16	16	16	16	16	16	16	16	
RINGSCAFF Standard lead-off adapter	E04RS0002	16	16	16	16	16	16	16	16	16	
RINGSCAFF Standard with tube connector 1.00 m	E04RS0030	16	16	16	16	16	16	16	16	16	
RINGSCAFF Standard with tube connector 2.00 m	E04RS0071	8	8	8	8	8	8	8	8	8	
RINGSCAFF Standard with tube connector 4.00 m	E04RS0107	4	12	20	28	36	44	52	60	68	
RINGSCAFF Tubular ledger 1.00 m	E04RS0324	20	32	44	56	68	80	92	104	116	
RINGSCAFF Tubular ledger reinforced 1.00 m	E04RS0488	8	12	16	20	24	28	32	36	40	
RINGSCAFF Tubular ledger 3.00 m	E04RS0124	2	4	6	8	10	12	14	16	18	
RINGSCAFF Double tubular ledger 3.00 m	E04RS0269	4	6	8	10	12	14	16	18	20	
RINGSCAFF Diagonal braces 3.00 m x 2.00 m	E04RS0135	6	10	14	18	22	26	30	34	38	
RINGSCAFF Diagonal braces 1.00 m x 2.00 m	E04RS0281	3	5	7	9	11	13	15	17	19	
Steel deck for tube hook-up 1.00 m	01693	36	54	72	90	108	126	144	162	180	
Steel shore tube 1.40 m	00372	4	6	8	10	12	14	16	18	20	
Ring screw M12 x 120 mm	00291	4	6	8	10	12	14	16	18	20	
Nylon wall plug 14 mm	01226	4	6	8	10	12	14	16	18	20	
Standard coupler	04963	4	6	8	10	12	14	16	18	20	
Wedge head coupler, double	E04RS0617	6	10	14	18	22	26	30	34	38	

STAIR TOWER WITH UNIVERSAL STAIR STRINGER 16-LEG FOR STAIR AND PLATFORM WIDTH OF 1.50 M

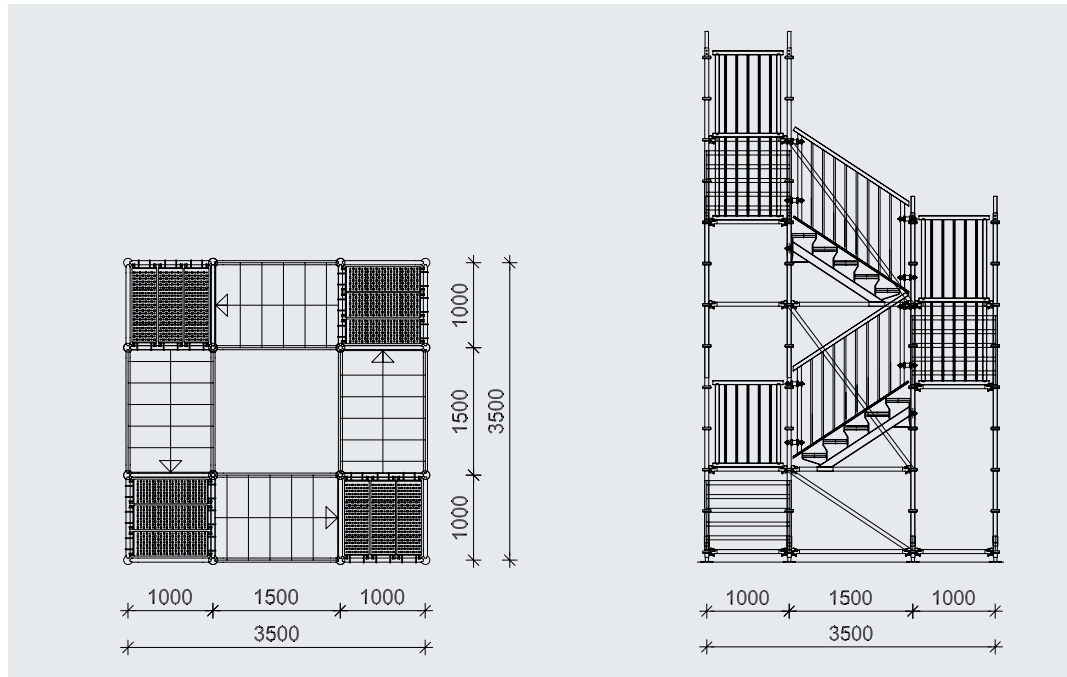


Material list for 16-leg stair tower with universal stair stringer: stair and platform width 1.50 m

Article Designation	Article No.	Exit height in m									
		4.00	6.00	8.00	10.00	12.00	14.00	16.00	18.00	20.00	
Special parts for stair towers											
Universal stair stringer 3.00 m x 2.00 m	01921	4	6	8	10	12	14	16	18	20	
Handrail for universal stair stringer 3.00 m x 2.00 m	01925	4	6	8	10	12	14	16	18	20	
Handrail for universal stair stringer, straight, 1.5 m	01924	8	12	16	20	24	28	32	38	40	
Handrail holder, metric	01926	32	48	64	80	96	112	128	144	160	
Step retainer	01929	44	66	88	110	132	154	176	198	220	
Hexagonal bolt M12 x 100 for step retainer	08139	44	66	88	110	132	154	176	198	220	
Round-head screw	08138	4	8	12	16	20	24	28	32	36	
Cover plate, flat 1.5 m	08132	1	2	3	4	5	6	7	8	9	
Compensation deck 0.14 m x 1.5 m with wedge head	E04RS1212	4	6	8	10	12	14	16	18	20	
Base jack 0.78 m	00360	16	16	16	16	16	16	16	16	16	
RINGSCAFF Standard lead-off adapter	E04RS0002	16	16	16	16	16	16	16	16	16	
RINGSCAFF Standard with tube connector 1.00 m	E04RS0030	16	16	16	16	16	16	16	16	16	
RINGSCAFF Standard with tube connector 2.00 m	E04RS0071	8	8	8	8	8	8	8	8	8	
RINGSCAFF Standard with tube connector 4.00 m	E04RS0107	4	12	20	28	36	44	52	60	68	
RINGSCAFF Tubular ledger 1.50 m	E04RS0121	20	32	44	56	68	80	92	104	116	
RINGSCAFF Tubular ledger reinforced 1.50 m	E04RS0266	8	12	16	20	24	28	32	36	40	
RINGSCAFF Tubular ledger 3.00 m	E04RS0124	2	4	6	8	10	12	14	16	18	
RINGSCAFF Double tubular ledger 3.00 m	E04RS0269	4	6	8	10	12	14	16	18	20	
RINGSCAFF Diagonal braces 3.00 m x 2.00 m	E04RS0135	6	10	14	18	22	26	30	34	38	
RINGSCAFF Diagonal braces 1.50 m x 2.00 m	E04RS0281	3	5	7	9	11	13	15	17	19	
Steel deck for tube hook-up 1.50 m	01694	37	55	73	91	109	127	145	163	181	
Compensation deck 0.23 m for tube hook-up, RX metric 1.50 m	01700	7	11	15	19	23	27	31	35	39	
Steel shore tube 1.40 m	00372	4	6	8	10	12	14	16	18	20	
Ring screw M12 x 120 mm	00291	4	6	8	10	12	14	16	18	20	
Nylon wall plug 14 mm	01226	4	6	8	10	12	14	16	18	20	
Standard coupler	04963	4	6	8	10	12	14	16	18	20	
Wedge head coupler, double	E04RS0617	6	10	14	18	22	26	30	34	38	

STAIR TOWER WITH UNIVERSAL STAIR STRINGER

16-LEG FOR STAIR AND PLATFORM WIDTH OF 1.00 M (STAIR HEIGHT 1.00 M)



Material list for 16-leg stair tower with universal stair stringer: stair and platform width 1.00 m

Article Designation	Article No.	Exit height in m					For each additional 4 m height
		4.00	8.00	12.00	16.00	20.00	
Special parts for stair towers							
Universal stair stringer 1.00 m x 3.00 m	01920	8	16	24	32	40	8
Handrail for universal stair stringer 1.50 m x 21.00 m	01934	8	16	24	32	40	8
Handrail for universal stair stringer, straight, 1 m	01923	10	18	26	34	42	8
Handrail holder, metric	01926	52	100	148	196	244	72
Step retainer	01929	40	80	120	160	200	-
Hexagonal bolt M12 x 100 for step retainer	08139	40	80	120	160	200	-
Round-head screw	08138	12	28	44	60	76	-
Cover plate, flat 1 m	08134	3	7	11	15	19	4
Compensation deck 0.14 m x 1 m with wedge head	E04RS1211	5	9	13	17	21	-
Base jack 0.78 m	00360	16	16	16	16	16	-
RINGSCAFF Standard lead-off adapter	E04RS0002	16	16	16	16	16	-
RINGSCAFF Standard with tube connector 2.00 m	E04RS0071	8	8	8	8	8	-
RINGSCAFF Standard with tube connector 3.00 m	E04RS0096	8	8	8	8	8	-
RINGSCAFF Standard with tube connector 4.00 m	E04RS0107	4	20	36	52	68	16
RINGSCAFF Tubular ledger 1.00 m	E04RS0324	39	79	119	159	199	50
RINGSCAFF Tubular ledger 1.50 m	E04RS0121	16	32	48	64	80	8
RINGSCAFF Tubular ledger 3.00 m	E04RS0124						-
RINGSCAFF Double tubular ledger 3.00 m	E04RS0269						-
RINGSCAFF Diagonal braces 1.50 m x 2.00 m	E04RS0131	13	25	37	49	61	18
RINGSCAFF Diagonal braces 1.00 m x 2.00 m	E04RS0281						-
Steel deck for tube hook-up 1.00 m	01693	39	83	111	147	183	-
Steel shore tube 1.40 m	00372	4	8	12	12	16	-
Ring screw M12 x 120 mm	00291	4	8	12	12	16	-
Nylon wall plug 14 mm	01226	4	8	12	12	16	-
Standard coupler	04963	4	8	12	12	16	-

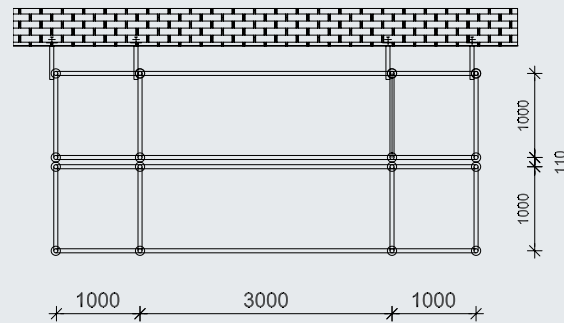
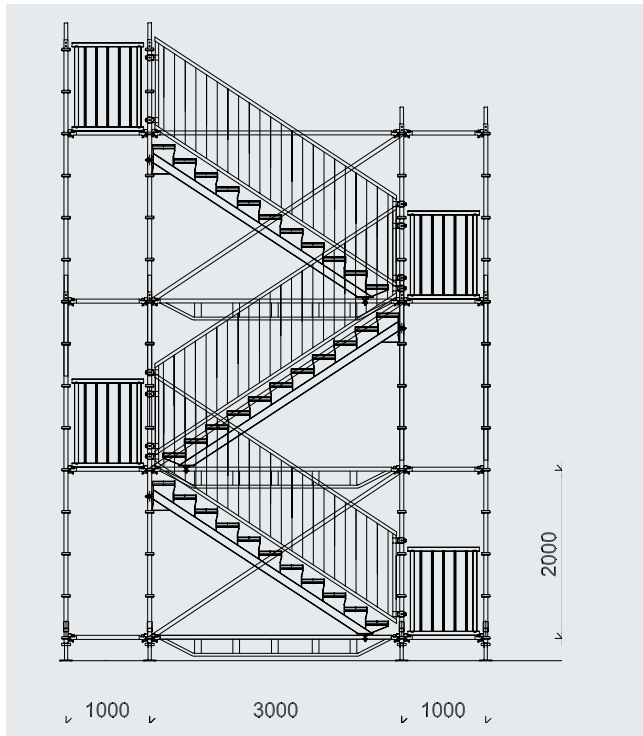
EXAMPLES FOR MAXIMUM TOWER HEIGHTS

ALL STAIRS AND PLATFORMS CALCULATED WITH FULL TRAFFIC LOADS

When – which is normally the case – only 3 fully loaded levels are considered in the statics for a scaffolding, a corresponding reduction of the load is also compatible with the stair tower. In this way, much greater maximum heights can be achieved!

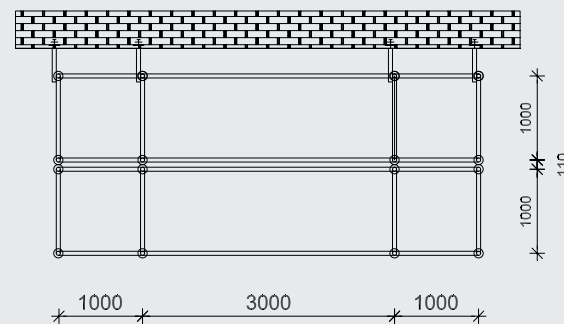
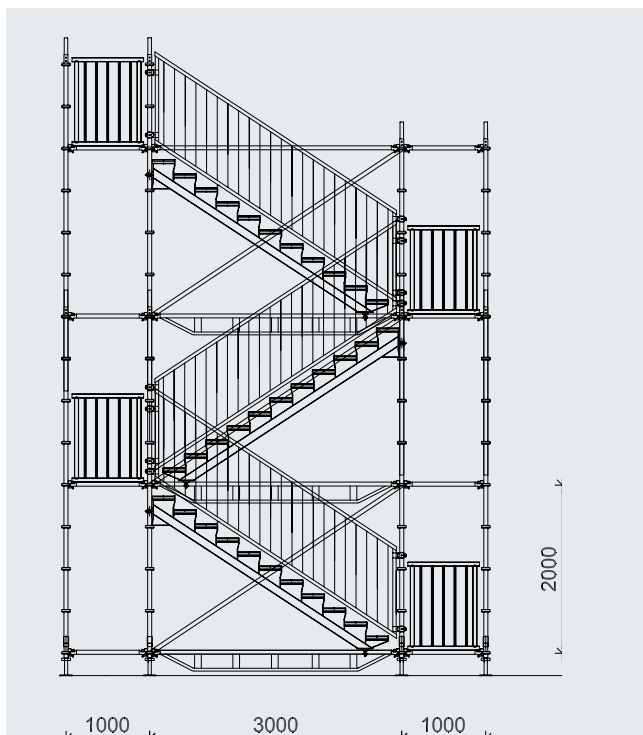
Design version 4:

Tower with 16 standards and central support as a double standard!
Anchorage on the longitudinal side at a height interval of ≤ 4.00 m
Platform and stair width 1.00 m, 1.09 m, 1.50 m or 1.57 m



Permissible stair tower heights in relation to traffic load, platform and stair width

Traffic load	Stair/Platform width	Tower height	Double standard
3.50 kN/m ²	1.00 m	18.00 m	from 0 – 8.00 m
3.50 kN/m ²	1.50 m	14.00 m	from 0 – 6.00 m
5.00 kN/m ²	1.00 m	16.00 m	from 0 – 8.00 m
5.00 kN/m ²	1.50 m	12.00 m	from 0 – 6.00 m
7.50 kN/m ²	1.00 m	14.00 m	from 0 – 6.00 m



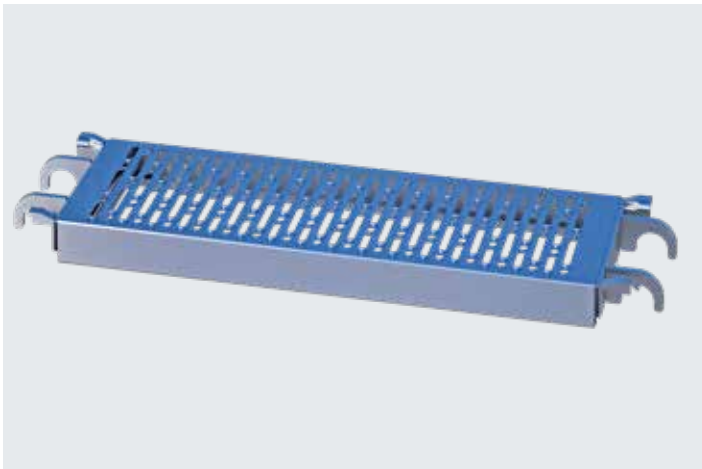
Permissible stair tower heights in relation to traffic load, platform and stair width

Traffic load	Stair/Platform width	Tower height
3.50 kN/m ²	1.00 m	10.00 m
3.50 kN/m ²	1.50 m	8.00 m
5.00 kN/m ²	1.00 m	8.00 m
5.00 kN/m ²	1.50 m	6.00 m
7.50 kN/m ²	1.00 m	8.00 m

Note: this information does not substitute statical analyses in individual cases! Full traffic load on all stairs and platforms!

STEEL DECKS - THE CORRECT ALLOCATION IN THE METRIC SCAFOM-RUX SYSTEM

The different options are clearly subdivided in the metric scafom-rux dimensions. Given a manageable number of deck types, there is the possibility of decking any ledger widths.



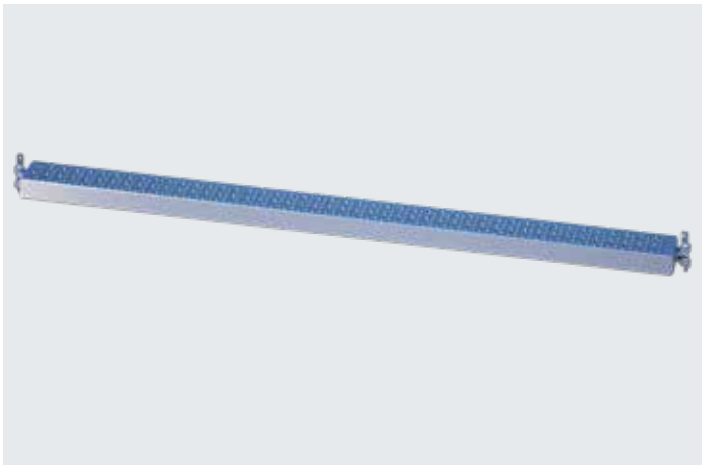
Steel deck 0.29 m

For tube hook-up, incl. deck retainer, available in the lengths 0.65 to 3.00 m



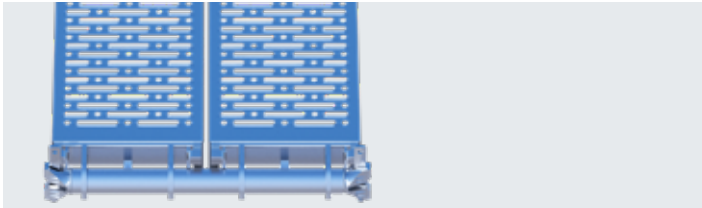
Compensation deck 0.23 m

For tube hook-up, available in the lengths 1.00 m to 3.00 m



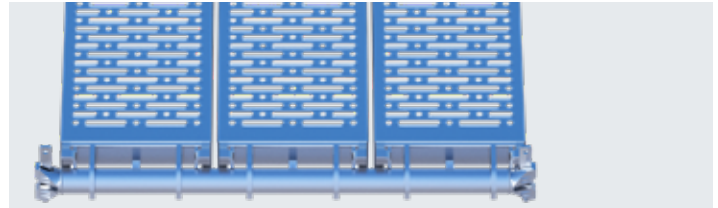
Compensation deck 0.14 m with wedge head

To close the gap between the decking level and the bracket decking; fitted directly to the rings on the standards, available in the lengths 1.00 m to 3.00 m



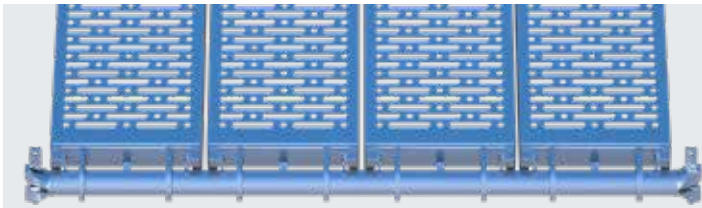
Horizontal ledger 67 cm

Deck	Quantity
Steel deck, 0.29 m, for tube hook-up, incl. deck retainer	2



Horizontal ledger 100 cm

Deck	Quantity
Steel deck, 0.29 m, for tube hook-up, incl. deck retainer	3



Horizontal ledger 125 cm

Deck	Quantity
Steel deck, 0.29 m, for tube hook-up, incl. deck retainer	4



Horizontal ledger 150 cm

Deck	Quantity
Steel deck, 0.29 m, for tube hook-up, incl. deck retainer	4
Compensation deck, 0.23 m, for tube hook-up, incl. deck retainer	1



Horizontal ledger 150 cm

Deck	Quantity
Steel deck, 0.29 m, for tube hook-up, incl. deck retainer	2
Compensation deck, 0.23 m, for tube hook-up, incl. deck retainer	2
Compensation deck with wedge head, 0.14 m	1



Horizontal ledger 200 cm

Deck	Quantity
Steel deck, 0.29 m, for tube hook-up, incl. deck retainer	5
Compensation deck, 0.23 m, for tube hook-up, incl. deck retainer	2



Horizontal ledger 250 cm

Deck	Quantity
Steel deck, 0.29 m, for tube hook-up, incl. deck retainer	8

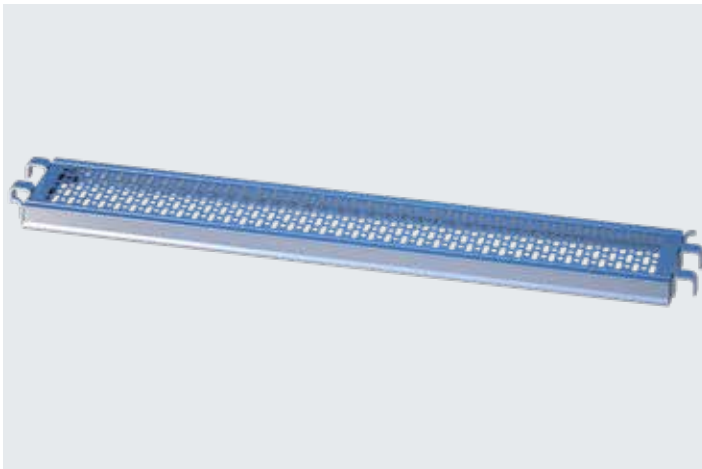


Horizontal ledger 300 cm

Deck	Quantity
Steel deck, 0.29 m, for tube hook-up, incl. deck retainer	10

STEEL DECKS - THE CORRECT ALLOCATION IN THE 07 DIMENSION

Being a compatible system with mixing approval, RINGSKAFF modular scaffolding also offers the right decking combinations for ledger widths in the 07 dimension.



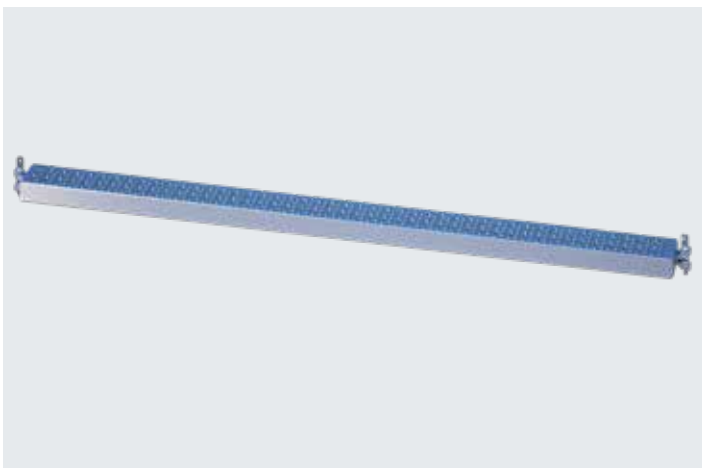
Steel deck 0.32 m

For tube hook-up with forged hook-up clasps or with U-shaped hook-up, available in the lengths 0.73 m to 3.07 m



Compensation deck 0.19 m

For tube hook-up or with U-shaped hook-up, available in the lengths 0.73 m to 3.07 m



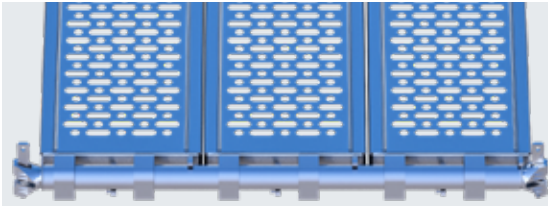
Compensation deck 0.14 m with wedge head

To close the gap between the decking level and the bracket decking; fitted directly to the rings on the standards, available in the lengths 0.73 m to 3.07 m



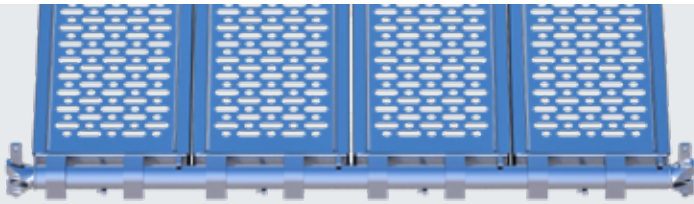
Horizontal ledger 73 cm

Deck	Quantity
Steel deck, 0.32 m, for tube hook-up, incl. deck retainer	2



Horizontal ledger 109 cm

Deck	Quantity
Steel deck, 0.32 m, for tube hook-up, incl. deck retainer	3



Horizontal ledger 140 cm

Deck	Quantity
Steel deck, 0.32 m, for tube hook-up, incl. deck retainer	4



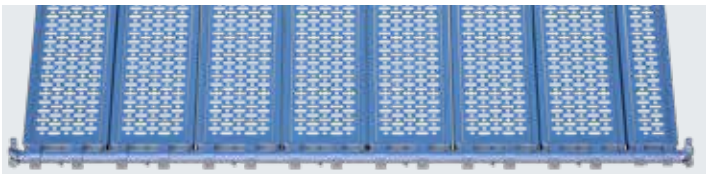
Horizontal ledger 157 cm

Deck	Quantity
Steel deck, 0.32 m, for tube hook-up, incl. deck retainer	4
Compensation deck, 0.19 m, for tube hook-up, incl. deck retainer	1



Horizontal ledger 207 cm

Deck	Quantity
Steel deck, 0.32 m, for tube hook-up, incl. deck retainer	6



Horizontal ledger 257 cm

Deck	Quantity
Steel deck, 0.32 m, for tube hook-up, incl. deck retainer	7
Compensation deck, 0.19 m, for tube hook-up, incl. deck retainer	1

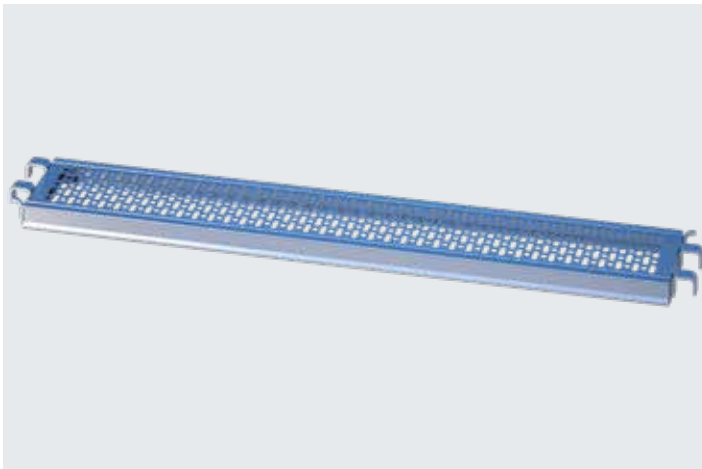


Horizontal ledger 307 cm

Deck	Quantity
Steel deck, 0.32 m, for tube hook-up, incl. deck retainer	9

STEEL DECKS - THE CORRECT ALLOCATION IN THE 032 DIMENSION

Being a compatible system with mixing approval, RINGSKAFF modular scaffolding also offers the right decking combinations for ledger widths in the 032 dimension.



Steel deck 0.32 m

For tube hook-up with forged hook-up clasps or with U-shaped hook-up, available in the lengths 0.75 m to 3.00 m



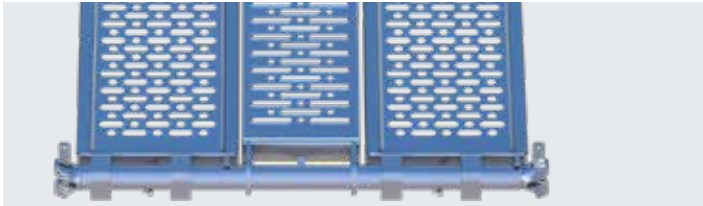
Compensation deck 0.23 m

For tube hook-up or with U-shaped hook-up, available in the lengths 1.00 m to 3.00 m



Compensation deck 0.14 m

For tube hook-up or with U-shaped hook-up, available in the lengths 1.00 m to 3.00 m



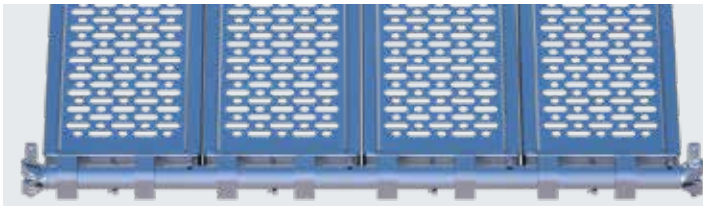
Horizontal ledger 100 cm

Deck	Quantity
Steel deck, 0.32 m, for tube hook-up, incl. deck retainer	2
Compensation deck, 0.23 m, for tube hook-up, incl. deck retainer	1



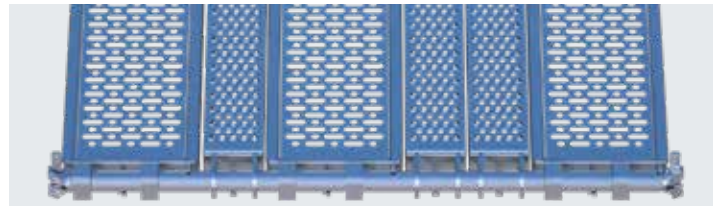
Horizontal ledger 106 cm

Deck	Quantity
Steel deck, 0.32 m, for tube hook-up, incl. deck retainer	3



Horizontal ledger 139 cm

Deck	Quantity
Steel deck, 0.32 m, for tube hook-up, incl. deck retainer	4



Horizontal ledger 150 cm

Deck	Quantity
Steel deck, 0.32 m, for tube hook-up, incl. deck retainer	3
Compensation deck, 0.14 m, for tube hook-up, incl. deck retainer	3



Horizontal ledger 200 cm

Deck	Quantity
Steel deck, 0.32 m, for tube hook-up, incl. deck retainer	5
Compensation deck, 0.14 m, for tube hook-up, incl. deck retainer	2



Horizontal ledger 250 cm

Deck	Quantity
Steel deck, 0.32 m, for tube hook-up, incl. deck retainer	7
Compensation deck, 0.14 m, for tube hook-up, incl. deck retainer	1



Horizontal ledger 300 cm

Deck	Quantity
Steel deck, 0.32 m, for tube hook-up, incl. deck retainer	9



**SERVICE IS OUR HALLMARK,
AND MARKING IS OUR SERVICE FOR YOU!**

Ownership marking is becoming increasingly important – sometimes finance houses and insurers even demand this. But looking on the positive side: a professional external image and advertising impact should not be underestimated!

We offer various forms of material marking ranging from embossing and screen printing to solutions with stickers. Depending on the material, quantities involved and the motifs desired, there are a number of possible options which we would very much like to discuss with you in detail.



COATING METAL EMBOSSING

The classic solution for scaffolding! Just get some paint on it. That is exactly what we do with our rental material, too. Also available in fashionable RAL colours for your new material.

We can supply individually embossed steel strip already affixed to the planks if desired. Individually embossed U-shaped caps are also available for SUPER planks.



OUR K++ STICKERS: YUCK!

Our K++ stickers are not quite as tasty as jelly babies, but they are just as colourful and a whole lot stickier – so at least it is two out of three points here! Moreover, they cannot be removed in a single piece, but only in shreds. And the best thing: they are available with your motif in small lot sizes!



**EMBOSSING,
COATING,
STICKERS: LAST!**

Anyone knowing a little about the whole thing, knows that it is not quite so easy to find marking solutions that last for a long time – and that is what is needed, of course. We work together with suppliers that are extremely proficient in the areas of embossing, marking, coating, labelling, adhesion etc.

Ask us to provide you with an individual quotation!

The **technical information** on our K++ stickers can be found in the download section of the scafom-rux.de homepage.



QUICK ON-THE-SPOT ESTIMATE? APP-SOLUTELY NO PROBLEM!

Who doesn't know the situation: an impromptu enquiry and the customer is located along the way, so drive over quickly and have a look at the situation. Then the typical question: "Well, what sort of price can I expect?"

You will always have the answer right in your pocket: namely your smartphone with our scaffold APP. **This enables you to quickly calculate the parts needed for a façade or modular scaffolding as well as stair towers.** A few seconds later the customer has a general idea of the cost and you already have a rough parts list. You could even email us this list directly and make an order out of it. Not exactly unselfish, but still ingenious, isn't it?

CALCULATOR, NEWS + MANUALS

You can access approval documents, technical details and manuals on our website with the APP. Our animations and current scafom-rux news are also available there.

So it is probably a good idea to surf over to the iOS or Android store and download the scaffold APP from there! Free of charge and without any in-app purchases.



NUMEROUS IMAGES, FEW WORDS: SCAFOM-RUX FILMS AND ANIMATIONS

Moving images providing information on the application, assembly and benefits of proven or new scafom-rux products? "Can't do any harm", we thought some years ago. In the meantime, the video library has grown to some 100 clips and the feedback from users proves that they are being readily used.

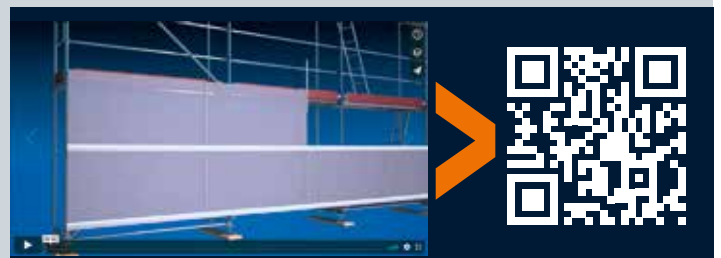
Our movies are available on **Youtube.de** and **Vimeo.com** – and this without any irritating advertising (apart from the film itself, of course). And when things get really tough, you can always use them to keep your interns quiet and happy for a while...

SORTED BY PRODUCT GROUPS, OPTIMISED FOR ALL DEVICES: VIMEO.COM/RUXGMBH/ALBUMS



E.g. SCAFFPLANK building site protection:

Protection against vandalism and noise as well as for passers-by during demolition work can be simply implemented through the use of standard planking that is just inserted into the system-independent SCAFFPLANK rails.

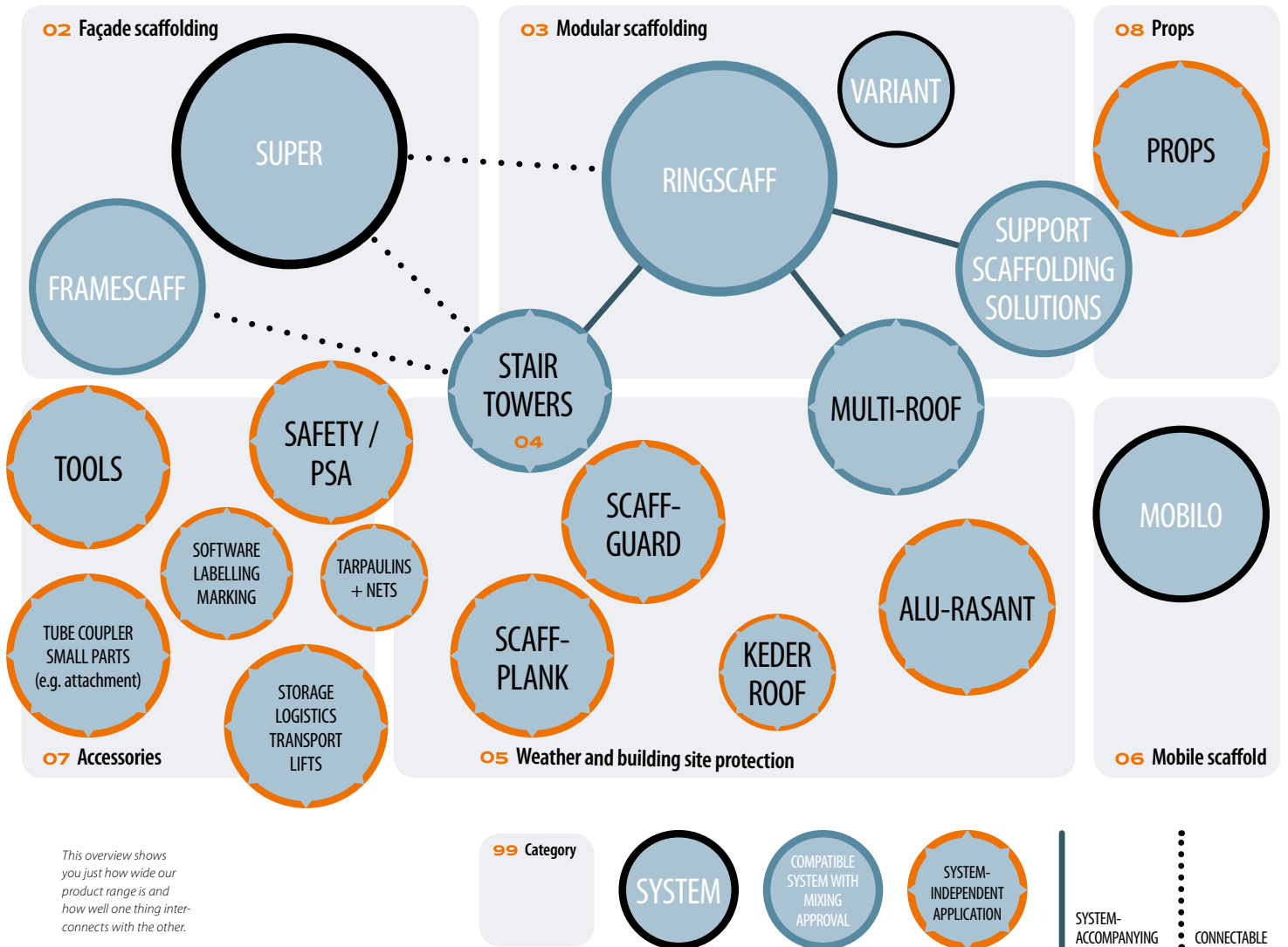


E.g. SCAFFGUARD scaffold cladding:

Economic, system-independent enclosures – and that with a minimal storage requirement. Building sites with scaffolding can be cladded very simply using SCAFFGUARD. System-independent!

SOLUTIONS

Safety is always first in everything Scafom-rux develops, manufactures and brings to market. Qualified engineers are constantly refining and improving our scaffolding and support structure systems with one simple objective in mind: to create conditions where people can complete their work with optimum safety. Indeed, worldwide thousands of people in industrial, construction and infrastructure sectors depend on the certified quality of Scafom-rux systems. We listen and learn from them, combining their demands and their expertise into smart solutions, efficient production and sensible working methods. Collaboration and mutual respect are key.



GENERAL APPROVAL FOR THE SYSTEM
APPROVAL Z-8.22-869 FOR RINGSCAFF

1 Deutsches Institut für Bautechnik (DIBt)

2 [Redacted]

3 **Zulassungsnummer:**
Z-8.22-869

4 **Geltungsdauer**
vom: **9. April 2016**
bis: **9. April 2021**

5 **Antragsteller:**
Scafom-rux Holding
De Kempen 5
6021 PZ BUDEL
NIEDERLANDE

6 **Zulassungsgegenstand:**
Modulsystem "RINGSCAFF"

7 Der oben genannte Zulassungsgegenstand wird hiermit allgemein bauaufsichtlich zugelassen. Diese allgemeine bauaufsichtliche Zulassung umfasst 22 Seiten sowie Anlage A (Seiten 1 bis 4), Anlage B (Seiten 1 bis 62), Anlage C (Seiten 1 bis 4) und Anlage D (Seiten 1 bis 8). Der Gegenstand ist erstmals am 5. März 2001 allgemein bauaufsichtlich zugelassen worden.

DIBt
 DIBt | Kolonnenstraße 30 B | D-10829 Berlin | Tel.: +49 30 78730-0 | Fax: +49 30 78730-320 | E-Mail: dibt@dibt.de | www.dibt.de

1 Deutsches Institut für Bautechnik (DIBt)

Registration Office for Building Products and Structural Designs

Structural Engineering Testing Agency

A public agency sponsored jointly by the federal and state governments

Member of EOTA, UEAtc and the WFTAO

Date: 30 March 2016

Reference: I 371-1.8.22-69/15

2 General Type Approval

3 Approval number: Z-8.22-869

4 Validity
from: 9 April 2016
to: 9 April 2021

5 Applicant:
Scafom-rux Holding
De Kempen 5
6021 PZ Budel
THE NETHERLANDS

6 Subject of approval:
"RINGSCAFF" modular system

7 This above-mentioned subject of approval is herewith provided with a general type approval. This general type approval comprises twenty-two pages as well as an Appendix A (pages 1 to 4), Appendix B (pages 1 to 62), Appendix C (pages 1 to 4) and Appendix D (pages 1 to 8). The subject was first given a general type approval on 5 March 2001.

MIXING APPROVAL FUTURO-CONTUR
APPROVAL Z-8.22-911 FOR RINGSCAFF

1 Deutsches Institut für Bautechnik (DIBt)

Registration Office for Building Products and Structural Designs

Structural Engineering Testing Agency

A public agency sponsored jointly by the federal and state governments

Member of EOTA, UEAtc and the WFTAO

Date: 11 January 2018
 Reference: I 37.1-1.8.22-10/15

2 General Type Approval

3 Approval number: Z-8.22-911

4 Validity
 from: 6 January 2018
 to: 6 January 2023

5 Applicant:
 Scafom-rux holding
 De Kempen 5
 6021 PZ Budel
 THE NETHERLANDS

6 Subject of approval:
 "RINGSCAFF-V metric" modular system

7 The above-mentioned subject of approval is herewith provided with a general type approval. This general type approval comprises twenty-three pages and an Appendix A (pages 1 to 3), Appendix B (pages 1 to 106), Appendix C (pages 1 to 3) as well as Appendix D (pages 1 to 6). The subject was first given a general type approval on 14 December 2006 with the designation "Ring-scaff-V-f".



MIXING APPROVAL ALLROUND
APPROVAL Z-8.22-901 FOR RINGSCAFF

2

**Allgemeine
bauaufsichtliche
Zulassung**

1 

**Deutsches
Institut
für
Bautechnik**

**Zulassungsstelle für Bauprodukte und Bauarten
Bautechnisches Prüfamnt**

Eine vom Bund und den Ländern
gemeinsam getragene Anstalt des öffentlichen Rechts
Mitglied der EOTA, der UEAtc und der WFTAO

Datum: 05.01.2016 Geschäftszeichen: I 37.1-1.8.22-37/12

**3 Zulassungsnummer:
Z-8.22-901**

**5 Antragsteller:
Scafom-rux Holding
De Kempen 5
6021 PZ BUDEL
NIEDERLANDE**

**6 Zulassungsgegenstand:
Modulsystem "RINGSCAFF-V"**

7 Der oben genannte Zulassungsgegenstand wird hiermit allgemein bauaufsichtlich zugelassen. Diese allgemeine bauaufsichtliche Zulassung umfasst 24 Seiten sowie Anlage A (Seiten 1 bis 2), Anlage B (Seiten 1 bis 101), Anlage C (Seiten 1 bis 4) und Anlage D (Seiten 1 bis 12). Der Gegenstand ist erstmals am 27. Juli 2005 allgemein bauaufsichtlich zugelassen worden.

4 Geltungsdauer
vom: **5. Januar 2016**
bis: **5. Januar 2021**

DIBt

DIBt | Kolonnenstraße 30 B | D-10829 Berlin | Tel.: +49 30 78730-0 | Fax: +49 30 78730-320 | E-Mail: dibt@dibt.de | www.dibt.de

- 1** Deutsches Institut für Bautechnik (DIBt)

Registration Office for Building Products and Structural Designs

Structural Engineering Testing Agency

A public agency sponsored jointly by the federal and state governments

Member of EOTA, UEAtc and the WFTAO

Date: 05 January 2016
Reference: I 37.1-1.8.22-37/12
- 2** General Type Approval
- 3** Approval number: Z-8.22-901
- 4** Validity
from: 5 January 2016
to: 5 January 2021
- 5** Applicant:
Scafom-rux Holding
De Kempen 5
6021 PZ Budel
THE NETHERLANDS
- 6** Subject of approval:
"RINGSCAFF-V" modular system
- 7** This above-mentioned subject of approval is herewith provided with a general type approval. This general type approval comprises twenty-four pages as well as an Appendix A (pages 1 to 2), Appendix B (pages 1 to 101), Appendix C (pages 1 to 4) and Appendix D (pages 1 to 12). The subject was first given a general type approval on 27 July 2005.



SMART DETAILS
RINGSKAFF | MODULAR SCAFFOLDING

MODULAR SCAFFOLDING
FAÇADE SCAFFOLDING
WEATHER PROTECTION
BUILDING SITE PROTECTION
MOBILE SCAFFOLDS
PROPS
ACCESSORIES
IDEAS

**SMART
DETAILS
GREAT
SOLUTIONS!**



APP



VIMEO | YOUTUBE



FACEBOOK



SCAFOM-RUX.COM

scafom-rux International

De Kempen 5 · 6021 PZ Budel · Netherlands
P +31 495 497-204 · info@scafom-rux.com

 **scafom-rux**