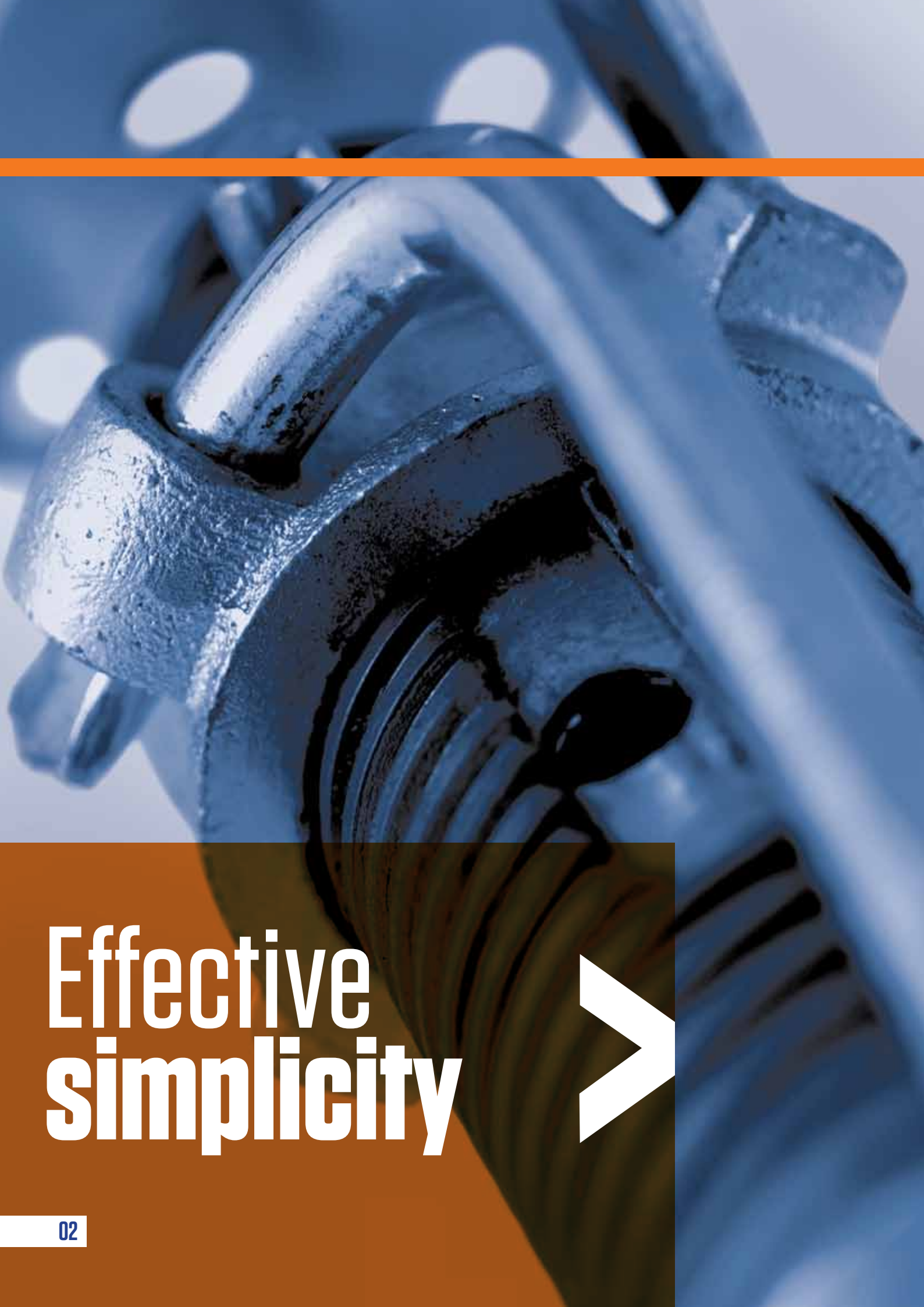


# PROPS



Support with telescopic  
and push-pull props



# Effective simplicity



Scafom-rux® telescopic and push-pull props support virtually every construction project – literally and figuratively. The integration of hand and drop-out protection makes them safe in use, they feature high-quality construction, and every component is completely hot-dip galvanised. For more than 30 years they have been a trusted choice for use in residential, commercial and utility construction as well as industrial applications. Their long service life also makes Scafom-rux® telescopic and push-pull props a financially safe investment.

Scafom-rux® props can be customised with a company name and/or logo. Customers can also opt for adjusting nuts or handles in their own brand colour. For large commercial concerns in the forming or shoring sector, props can also be produced under a private label.



- Hot-dip galvanised in accordance with EN ISO 1461
- Adjusting nuts, handles and insert pins galvanically zinc-plated
- Compliant with the EN 1065 product standard
- Hand and drop-out protection included as a standard feature
- Wide range of load-ratings and lengths
- Various customer-specific modifications possible

# ADJUSTABLE PROP

Type of adjustable prop:	More information:	
BM push-pull prop	Adjustment range 1500 – 5400 mm Maximum load 27,4 to 7,6 kN	page 6 and 7
AN push-pull prop	Adjustment range 1.500 – 4.000 mm Maximum load 32,3 to 10,9 kN	page 8 and 9
SG push-pull prop	Adjustment range 3.100 – 5.500 mm Maximum load 39,9 to 11,2 kN	page 10 and 11
EP20 push-pull prop	Adjustment range 1.500 – 5.500 mm Maximum load 41,4 to 20,6 kN	page 12 and 13
EP30 push-pull prop	Adjustment range 1.500 – 4.000 mm Maximum load 39,9 to 31,2 kN	page 14 and 15

A concise overview of the available Scafom-rux® telescopic and push-pull props is provided on this and the following pages. The minimum and maximum adjustment range and the associated maximum loads are shown for each type of prop. Detailed information about each type of prop is provided on the pages listed in the last column of the tables.

# PUSH-PULL PROP

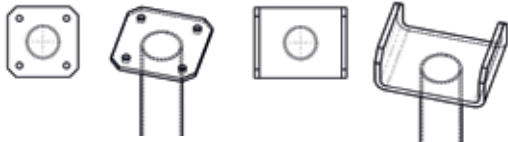
Type of push-pull prop:	More information:	
BM-B push-pull prop	Adjustment range 1.700 – 5.300 mm Maximum load 34,5 to 7,5 kN	page 18 and 19
38RL push-pull prop	Adjustment range 1.100 – 4.700 mm Maximum load 42,5 to 10,1 kN	page 20 and 21
48RL push-pull prop	Adjustment range 2.600 – 7.800 mm Maximum load 43,7 to 17,6 kN	page 22 and 23

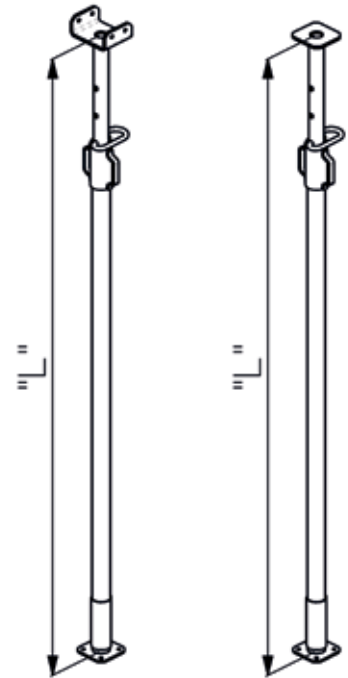


Quickly  
find the  
right  
solution

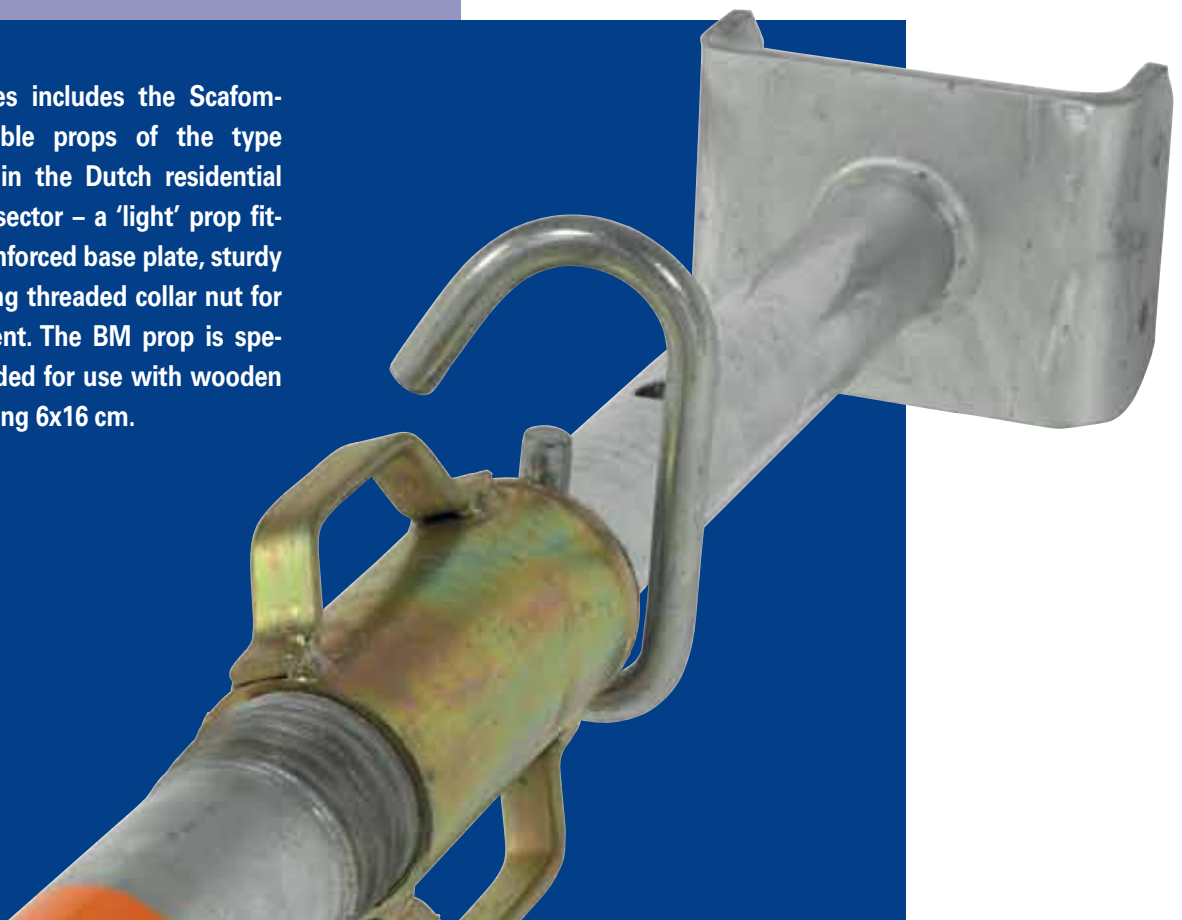
# BM ADJUSTABLE PROP



Construction details and loads (tested by Aboma)	
Dimensions	Outer tube $\varnothing$ 57,0 mm Inner tube $\varnothing$ 48,3 mm
Preservation	Hot-dip galvanised acc. EN ISO 1461 Collar nut and insert pin galvanically zinc-plated
Packing unit	50 to a pack
Product standard	ABOMA certification
Options	<ul style="list-style-type: none"><li>• Customer name on the handle</li><li>• Collar nut in desired colour</li><li>• Packed in customer's stacking rack</li><li>• Affixed with customer's sticker</li></ul>
Base/top plate	




The BM series includes the Scafom-rux® adjustable props of the type mainly used in the Dutch residential construction sector – a 'light' prop fitted with a reinforced base plate, sturdy fork and strong threaded collar nut for fine adjustment. The BM prop is specifically intended for use with wooden joists measuring 6x16 cm.

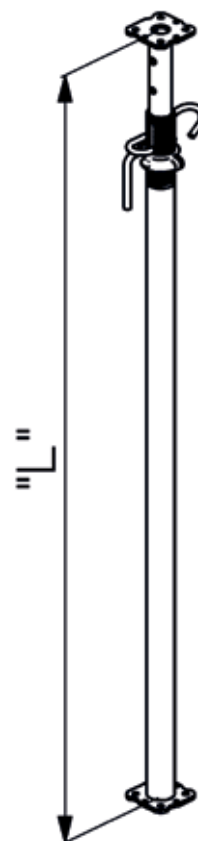


Prop type	BM 250	BM 300	BM 350	BM 400	BM 450	BM 540
Product no.	E01BM0001	E01BM0009	E01BM0033	E01BM0056	E01BM0062	E01BM0065
Min. prop length (mm)	1514	1764	2014	2264	2514	3014
Max. prop length (mm)	2500	3000	3500	4000	4500	5400
Weight (kg)	14,7	15,9	18,2	19,3	21,6	25,0
Prop size (mm)	Max. permissible load ( $\gamma = 1,65$ ) (kN)					
1500	27,4					
1600	27,3					
1700	27,2					
1800	27,1	28,8				
1900	27,0	27,9				
2000	26,7	27,2	28,8			
2100	25,9	26,6	27,9			
2200	25,2	25,9	26,7			
2300	24,5	25,3	25,8	28,4		
2400	23,7	24,5	24,7	27,1		
2500	22,9	24,1	23,6	26,1	20,1	
2600		21,6	22,5	25,3	19,7	
2700		20,2	21,4	24,4	19,1	
2800		18,8	20,4	23,5	18,6	
2900		17,4	19,4	22,6	18,0	
3000		16,0	18,3	21,7	17,6	21,2
3100			17,3	20,8	17,0	20,5
3200			16,3	19,9	16,5	19,5
3300			15,3	19,1	16,0	18,5
3400			14,2	18,1	15,5	17,7
3500			13,0	17,2	15,0	17,0
3600				16,3	14,4	16,2
3700				15,4	13,9	15,3
3800				14,5	13,3	14,4
3900				13,6	12,8	13,4
4000				12,7	12,2	12,6
4100					11,5	11,5
4200					10,8	11,2
4300					10,2	10,7
4400					9,8	10,4
4500						10,2
4600						10,0
4700						9,6
4800						9,3
4900						9,0
5000						8,8
5100						8,4
5200						8,1
5300						7,8
5400						7,6

# AN ADJUSTABLE PROP



Construction details and loads (EN 1065 class B – safety factor 1.65)	
Dimensions	Outer tube $\varnothing$ 63,5 mm Inner tube $\varnothing$ 51,0 mm
Preservation	Hot-dip galvanised acc. EN ISO 1461 Adjusting nut and insert pin galvanically zinc-plated
Packing unit	50 to a pack
Product standard	According to EN 1065, class B / MPA Munich
Options	<ul style="list-style-type: none"><li>• Customer name on the handle</li><li>• Adjusting nut in desired colour</li><li>• Packed in customer's stacking rack</li><li>• Affixed with customer's sticker</li></ul>
Base/top plate	




The AN model is a medium-duty adjustable prop. AN-type props have outer screw threads for fine adjustment and flat top and base plates for use with system formwork or wooden joists. The AN prop can be mounted in two directions: with the inner tube on the top or the bottom.

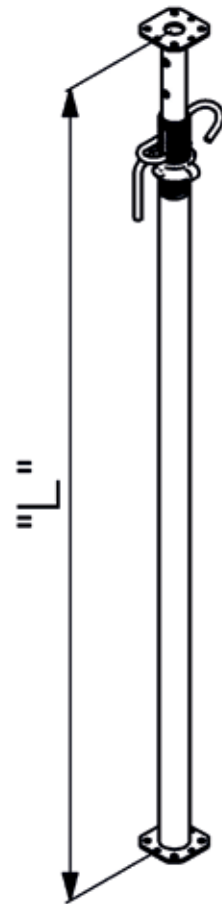


Prop type	AN 350		AN 400	
Classification acc. EN1065	B35		B40	
Product no.	E01XB0003		E01XB0004	
Min. prop length (mm)	1960		2210	
Max. prop length (mm)	3500		4000	
Weight (kg)	18,3		20,2	
<b>Max. permissible load (<math>\gamma= 1,65</math>) (kN)</b>				
Prop size (mm)	Inner tube on top	Inner tube on bottom	Inner tube on top	Inner tube on bottom
2000	32,3	32,3		
2100	32,3	32,3		
2200	32,3	32,3	32,3	32,3
2300	29,4	32,3	32,3	32,3
2400	27,3	32,3	32,3	32,3
2500	25,5	32,3	29,4	32,3
2600	23,9	32,3	26,4	32,3
2700	22,7	32,3	24,5	32,3
2800	22,1	31,8	23,0	32,3
2900	21,5	29,3	21,8	32,3
3000	20,3	26,4	20,9	30,9
3100	19,1	23,9	19,7	28,8
3200	17,9	22,1	18,8	26,1
3300	16,7	20,3	17,6	23,6
3400	15,6	18,5	16,7	21,8
3500	14,5	17,0	15,8	20,0
3600			14,8	18,8
3700			13,9	17,0
3800			13,3	15,8
3900			12,1	13,9
4000			10,9	12,7

# SG ADJUSTABLE PROP



Construction details and loads (EN 1065 class C – safety factor 1,65)	
Dimensions	Outer tube $\varnothing$ 76,1 mm Inner tube $\varnothing$ 63,5 mm
Preservation	Hot-dip galvanised acc. EN ISO 1461 Adjusting nut and insert pin galvanically zinc-plated
Packing unit	35 to a pack
Product standard	According to EN 1065, class C / MPA Munich
Options	<ul style="list-style-type: none"><li>• Customer name on the handle</li><li>• Adjusting nut in desired colour</li><li>• Packed in customer's stacking rack</li><li>• Affixed with customer's sticker</li></ul>
Base/top plate	



The SG adjustable prop is especially well suited for higher loads and for formwork that nevertheless requires a high load capacity. The outer tubes have screw threads for fine adjustment. These props are fitted with top and base plates. The SG prop can be mounted in two directions: with the inner tube on the top or the bottom.

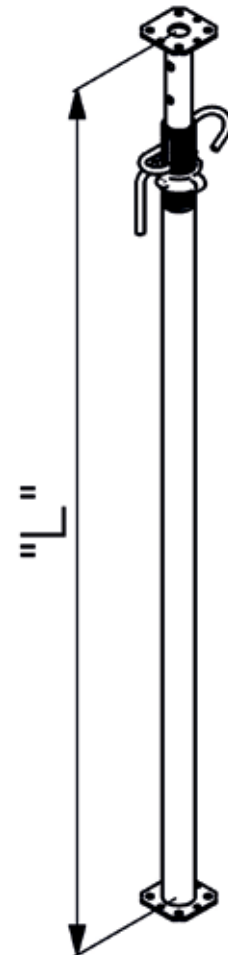


Prop type	SG 400		SG 550	
Classification acc. EN1065	C40 / D40		C55	
Product no.	E01XC0001		E01XC0004	
Min. prop length (mm)	2210		3048	
Max. prop length (mm)	4000		5500	
Weight (kg)	25,2		30,5	
<b>Max. permissible load (<math>\gamma= 1,65</math>) (kN)</b>				
Prop size (mm)	Inner tube on top	Inner tube on bottom	Inner tube on top	Inner tube on bottom
2200	36,9	36,9		
2300	36,9	36,9		
2400	36,9	36,9		
2500	36,9	36,9		
2600	36,9	36,9		
2700	36,9	36,9		
2800	36,9	36,9		
2900	36,9	36,9		
3000	35,2	35,2		
3100	33,9	33,9	39,9	39,9
3200	32,7	32,7	39,9	39,9
3300	31,5	31,5	39,9	39,9
3400	30,3	30,3	38,8	39,9
3500	28,5	28,5	35,1	39,9
3600	26,7	26,7	32,1	39,9
3700	25,2	25,2	30,0	39,9
3800	23,6	23,6	28,2	39,9
3900	21,8	21,8	26,4	39,9
4000	20,6	20,6	24,8	36,6
4100			23,3	33,3
4200			22,1	30,6
4300			20,9	28,5
4400			19,7	26,4
4500			18,8	24,4
4600			17,8	22,4
4700			17,2	20,9
4800			16,1	19,4
4900			15,2	18,2
5000			14,5	17,0
5100			13,6	16,1
5200			12,7	14,8
5300			12,1	13,9
5400			11,7	13,0
5500			11,2	12,1

# EP20 ADJUSTABLE PROP



Construction details and loads (EN 1065 class D – safety factor 1.65)				
Dimensions	<b>EP20</b>	D25	D30	D35
	<b>Outer tube ø (mm)</b>	63,5	63,5	70
	<b>Inner tube ø (mm)</b>	51,0	51,0	57
	<b>base/top plate (mm)</b>	120x120	120x120	120x120
	<b>EP20</b>	D40	D50	D55
	<b>Outer tube ø (mm)</b>	76,1	82,5	88,9
	<b>Inner tube ø (mm)</b>	63,5	70,0	76,1
	<b>base/top plate (mm)</b>	120x120	140x140	140x140
Preservation	Hot-dip galvanised acc. EN ISO 1461 Adjusting nut and insert pin galvanically zinc-plated			
Packing unit	EP20 – 250/300/350: 50 to a pack EP20 – 400/500/550: 35 to a pack			
Product standard	According to EN 1065, class D / MPA Munich			
Options	<ul style="list-style-type: none"> <li>• Customer name on the handle</li> <li>• Adjusting nut in desired colour</li> <li>• Packed in customer's stacking rack</li> <li>• Affixed with customer's sticker</li> </ul>			
Base/top plate				




The medium-duty adjustable props of type EP20 are suitable for supporting a minimum of 20 kN at any extension length, varying from 1500 to 5500 mm. The prop has outer screw threads for fine adjustment and has flat top and base plates for use in combination with system formwork or forks. The EP20 props can be mounted in two directions: with the inner tube on the top or the bottom.

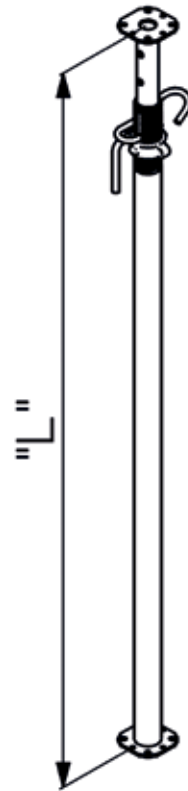
Prop type	EP20-250		EP20-300		EP20-350		EP20-400		EP20-500		EP20-550	
Classification acc. EN 1065	D25		D30		D35		D40		D50		D55	
Product no.	E01XD0011		E01XD0012		E01XD0025		E01XD0014		E01XD0038		E01XD0027	
Min. prop length (mm)	1460		1710		1960		2210		2710		3050	
Max. prop length (mm)	2500		3000		3500		4000		5000		5500	
Weight (kg)	14,0		15,9		19,1		22,4		32,4		34,2	
<b>Max. permissible load (<math>\gamma= 1,65</math>) (kN)</b>												
Prop size (mm)	Inner tube on top	Inner tube on bottom	Inner tube on top	Inner tube on bottom	Inner tube on top	Inner tube on bottom	Inner tube on top	Inner tube on bottom	Inner tube on top	Inner tube on bottom	Inner tube on top	Inner tube on bottom
1500	32,3	32,3										
1600	32,3	32,3										
1700	32,3	32,3										
1800	32,1	32,3	41,4	41,4								
1900	30,3	32,3	41,4	41,4								
2000	29,1	32,3	38,8	41,4	37,5	37,5						
2100	28,5	32,3	35,8	40,6	37,5	37,5						
2200	27,9	32,3	33,9	39,4	37,5	37,5	39,9	39,9				
2300	27,3	32,3	32,1	38,2	37,5	37,5	39,9	39,9				
2400	26,1	32,1	30,9	36,4	37,5	37,5	39,9	39,9				
2500	24,8	29,1	29,7	34,5	37,5	37,5	39,9	39,9				
2600			27,3	32,7	35,8	37,5	39,9	39,9				
2700			25,5	30,3	33,9	37,5	39,9	39,9	35,8	35,8		
2800			23,6	27,9	32,7	37,5	39,9	39,9	35,8	35,8		
2900			21,8	25,5	30,9	37,5	38,2	39,9	35,8	35,8		
3000			20,6	23,0	29,1	37,5	37,0	39,9	35,8	35,8		
3100					27,3	33,9	35,8	39,9	35,8	35,8	34,6	34,6
3200					25,5	31,5	34,5	39,9	35,8	35,8	34,6	34,6
3300					23,6	28,5	32,1	39,9	35,8	35,8	34,6	34,6
3400					21,8	26,1	30,3	37,0	35,8	35,8	34,6	34,6
3500					20,6	24,2	28,5	33,9	35,8	35,8	34,6	34,6
3600							26,7	31,5	35,8	35,8	34,6	34,6
3700							24,8	29,7	35,8	35,8	34,6	34,6
3800							23,8	27,3	35,8	35,8	34,6	34,6
3900							21,8	25,5	35,8	35,8	34,6	34,6
4000							20,6	23,6	35,8	35,8	34,6	34,6
4100									34,5	35,8	34,6	34,6
4200									32,1	35,8	34,6	34,6
4300									30,3	33,9	34,6	34,6
4400									29,1	32,1	34,6	34,6
4500									27,3	30,3	33,9	34,6
4600									26,1	28,5	32,1	34,6
4700									24,2	26,7	30,9	34,6
4800									23,0	25,5	29,1	33,9
4900									21,8	23,6	27,9	32,1
5000									20,6	22,4	26,7	30,3
5100											24,8	28,5
5200											24,2	27,3
5300											23,0	25,5
5400											21,8	24,2
5500											20,6	23,0

# EP30 ADJUSTABLE PROP



## Construction details and loads (EN 1065 class E – safety factor 1.65)

<b>Dimensions</b>	<b>EP30</b>	E25	E30	E35	E40
	<b>Outer tube ø (mm)</b>	70	76,1	82,5	88,9
	<b>Inner tube ø (mm)</b>	57	63,5	70,0	76,1
	<b>base plate (mm)</b>	120x120	120x120	120x120	140x140
<b>Preservation</b>	Hot-dip galvanised acc. EN ISO 1461 Adjusting nut and insert pin galvanically zinc-plated				
<b>Packing unit</b>	50 to a pack				
<b>Product standard</b>	According to EN 1065, class E / MPA Munich				
<b>Options</b>	<ul style="list-style-type: none"> <li>• Customer name on the handle</li> <li>• Adjusting nut in desired colour</li> <li>• Packed in customer's stacking rack</li> <li>• Affixed with customer's sticker</li> </ul>				
<b>Base/top plate</b>					



The heavy-duty adjustable props of type EP30 are suitable for supporting a minimum of 30 kN at any extension length, varying from 1500 to 4000 mm. The prop has outer screw threads for fine adjustment and flat top and base plates for use in combination with system formwork or forks. The EP30 props can be mounted in two directions: with the inner tube on the top or the bottom.



Prop type	EP30-250		EP30-300		EP30-350		EP30-400	
Classification acc. EN1065	E25		E30		E35		E40	
Product no.	E01XE0019		E01XE0006		E01XE0021		E01XE0008	
Min. prop length (mm)	1460		1710		1960		2210	
Max. prop length (mm)	2500		3000		3500		4000	
Weight (kg)	14,9		18,0		21,9		27,1	
<b>Max. permissible load (<math>\gamma= 1,65</math>) (kN)</b>								
Prop size (mm)	Inner tube on top	Inner tube on bottom	Inner tube on top	Inner tube on bottom	Inner tube on top	Inner tube on bottom	Inner tube on top	Inner tube on bottom
1500	37,5	37,5						
1600	37,5	37,5						
1700	37,5	37,5	39,9	39,9				
1800	37,5	37,5	39,9	39,9				
1900	37,5	37,5	39,9	39,9				
2000	37,5	37,5	39,9	39,9	33,3	33,3		
2100	37,5	37,5	39,9	39,9	33,3	33,3		
2200	37,5	37,5	39,9	39,9	33,3	33,3	31,2	31,2
2300	37,5	37,5	39,9	39,9	33,3	33,3	31,2	31,2
2400	37,5	37,5	39,9	39,9	33,3	33,3	31,2	31,2
2500	35,5	37,5	39,9	39,9	33,3	33,3	31,2	31,2
2600			39,9	39,9	33,3	33,3	31,2	31,2
2700			39,9	39,9	33,3	33,3	31,2	31,2
2800			39,9	39,9	33,3	33,3	31,2	31,2
2900			37,0	39,9	33,3	33,3	31,2	31,2
3000			33,9	39,1	33,3	33,3	31,2	31,2
3100					33,3	33,3	31,2	31,2
3200					33,3	33,3	31,2	31,2
3300					33,3	33,3	31,2	31,2
3400					33,3	33,3	31,2	31,2
3500					33,0	33,3	31,2	31,2
3600							31,2	31,2
3700							31,2	31,2
3800							31,2	31,2
3900							31,2	31,2
4000							31,2	31,2





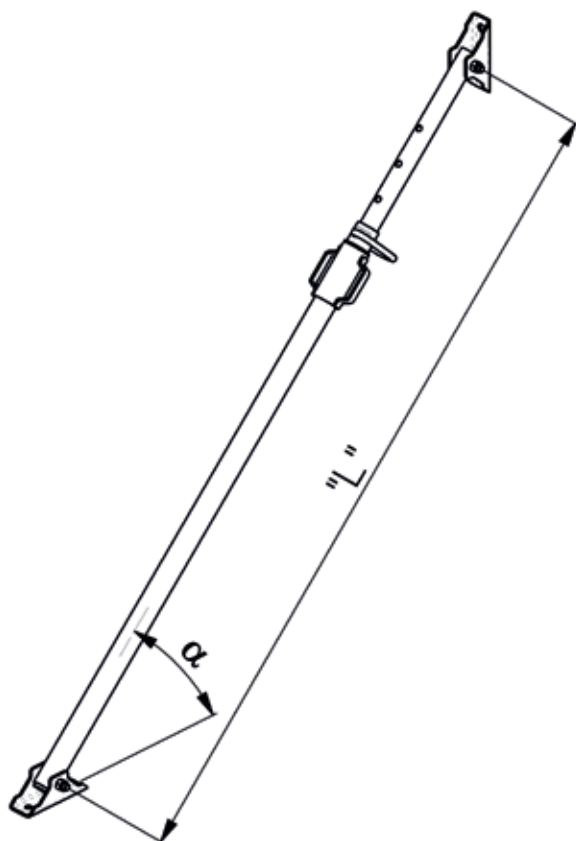


# BM-B PUSH-PULL PROP



Construction details and loads	
<b>Dimensions</b>	Outer tube $\varnothing$ 57,0 mm Inner tube $\varnothing$ 48,3 mm
<b>Preservation</b>	Hot-dip galvanised acc. EN ISO 1461
<b>Packing unit</b>	50 to a pack
<b>Options</b>	<ul style="list-style-type: none"><li>• Push-pull prop delivered without top or base plate</li><li>• Customer name on the handle</li><li>• Collar nut in desired colour</li><li>• Packed in customer's stacking rack</li><li>• Affixed with customer's sticker</li></ul>

Ingenious and cleverly designed: the main components of the BM-B push-pull prop are identical to those of the BM adjustable prop. The BM-B is an easily adjustable prop with a large adjustment range. Primary applications include residential construction and other 'lighter' variable-angle loads.



## Load table for BM-B push-pull prop

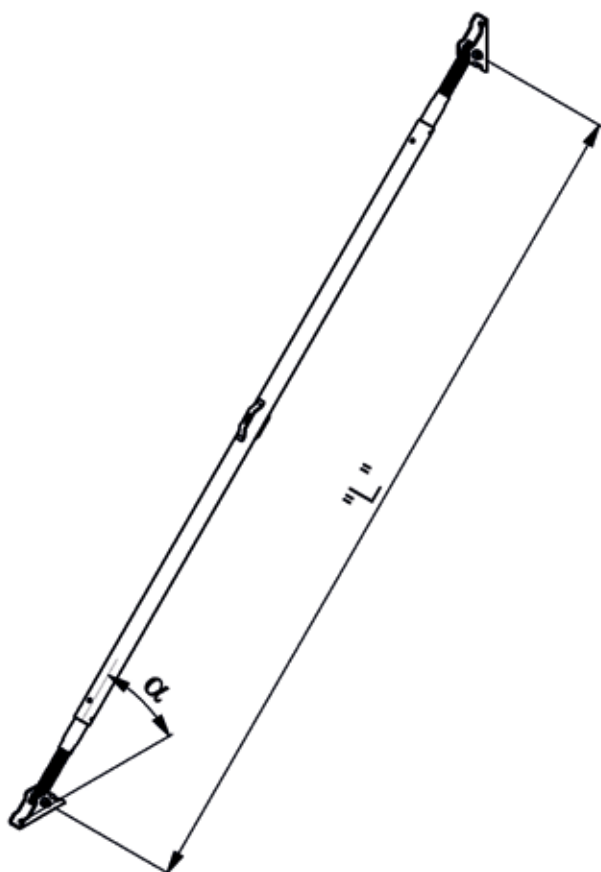
Prop type	BM-B 290	BM-B 400	BM-B 530
Product no.	E01BM0072	E01BM0074	E01BM0077
Min. prop length (mm)	1760	2340	3010
Max. prop length (mm)	2900	4010	5350
Weight (kg)	15,0	19,0	24,0
Prop size (mm)	Max. permissible load ( $\gamma= 1,65$ ) (kN)		
1700	34,5		
1800	34,5		
1900	34,5		
2000	34,0		
2100	33,6		
2200	30,0		
2300	26,8	34,5	
2400	24,5	34,5	
2500	22,1	34,5	
2600	20,3	34,5	
2700	18,4	34,5	
2800	16,6	32,9	
2900	15,0	31,4	
3000		28,5	34,5
3100		25,7	34,5
3200		23,6	34,5
3300		21,4	32,9
3400		19,8	31,4
3500		18,2	28,9
3600		16,9	26,4
3700		15,7	22,9
3800		14,8	21,4
3900		13,9	19,8
4000		12,5	18,2
4100			16,8
4200			15,4
4300			14,3
4400			13,2
4500			12,4
4600			11,6
4700			10,8
4800			10,0
4900			9,5
5000			8,9
5100			8,7
5200			8,4
5300			7,5

Maximum tensile load at adjustment angle of 45° is 32,0 kN  
 Maximum tensile load at adjustment angle of 60° is 12,0 kN

# 38RL PUSH-PULL PROP



Construction details and loads	
Dimensions	Main tube Ø 57.0 mm Spindle tube Ø 38.0 mm
Preservation	Hot-dip galvanised acc. EN ISO 1461
Packing unit	100 to a pack
Options	<ul style="list-style-type: none"><li>• Push-pull prop delivered without top or base plate</li><li>• Customer name on the handle</li><li>• Packed in customer's stacking rack</li><li>• Affixed with customer's sticker</li></ul>



The 38RL push-pull props are so-called 'spindle struts' that are used for shoring various elements and columns in commercial and industrial construction and civil engineering applications (with average heights of up to 4.0 m). The props can be subjected to tensile and compression forces and have an adjustment range of 60 cm.

## Load table for 38RL push-pull prop

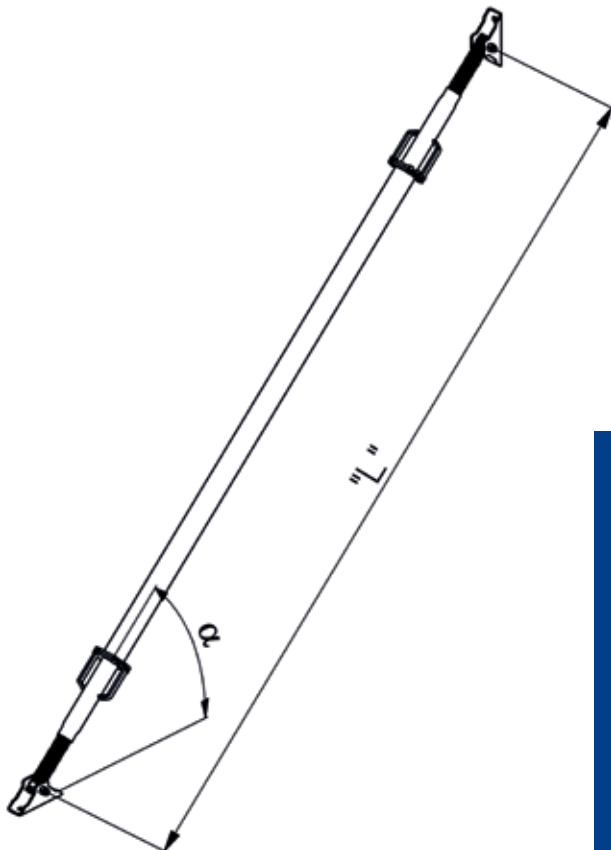
Prop type	38RL 180	38RL 240	38RL 300	38RL 360	38RL 420	38RL 480
Product no.	E01RL0001	E01RL0002	E01RL0005	E01RL0003	E01RL0008	E01RL0009
Min. prop length (mm)	1090	1690	2290	2890	3490	4090
Max. prop length (mm)	1690	2290	2890	3490	4090	4690
Weight (kg)	11,4	13,3	15,2	17,1	18,9	20,8
Prop size (mm)	Max. permissible load ( $\gamma= 1,65$ ) (kN)					
1100	42,5					
1200	42,5					
1300	42,5					
1400	42,5					
1500	42,5					
1514	42,5					
1600	42,5					
1700	42,5	42,5				
1800		42,5				
1900		42,5				
2000		42,5				
2100		41,5				
2200		38,5				
2300		34,6	40,0			
2400			37,3			
2500			34,2			
2600			31,9			
2700			28,8			
2800			25,8			
2900			23,1	27,3		
3000				25,0		
3100				23,1		
3200				21,1		
3300				19,6		
3400				18,1		
3500				16,9	18,1	
3600					17,0	
3700					16,0	
3800					14,9	
3900					13,8	
4000					13,1	
4100					12,7	13,5
4200						12,3
4300						11,6
4400						11,1
4500						10,8
4600						10,4
4700						10,1

Maximum tensile load at adjustment angle of 45° is 34,0 kN  
 Maximum tensile load at adjustment angle of 60° is 20,0 kN

# 48RL PUSH-PULL PROP



Construction details and loads				
Dimensions		48RL 400	48RL 600	48RL 800
	Main tube Ø (mm)	76,1	88,9	114,0
	Spindle tube Ø (mm)	48,3	48,3	48,3
Preservation	Hot-dip galvanised acc. EN ISO 1461			
Packing unit	48RL 400: per 50 to a pack 48RL 600: per 40 to a pack 48RL 800: per 25 to a pack			
Options	<ul style="list-style-type: none"> <li>• Push-pull prop delivered without top or base plate</li> <li>• Customer name on the handle</li> <li>• Packed in customer's stacking rack</li> <li>• Affixed with customer's sticker</li> </ul>			



The heavy-duty 48RL spindle struts are easy to adjust and have an adjustment range of 140 cm. The robust construction in combination with the high permissible loads makes them superbly suited for supporting high elements and columns in commercial and industrial construction and civil engineering applications.

## Load table for 48RL push-pull prop

Prop type	48RL 400	48RL 600	48RL 800
Product no.	E01RL0007	E01RL0010	E01RL0011
Min. prop length (mm)	2590	4520	6430
Max. prop length (mm)	4010	5930	7840
Weight (kg)	26,9	41,0	61,0
Prop size (mm)	Max. permissible load ( $\gamma= 1,65$ ) (kN)		
2600	43,7		
2700	43,7		
2800	43,7		
2900	43,7		
3000	43,7		
3100	41,7		
3200	38,3		
3300	35,6		
3400	32,9		
3500	30,0		
3600	28,0		
3700	26,0		
3800	24,5		
3900	22,2		
4000	21,0		
4500		42,5	
4600		40,5	
4700		39,0	
4800		37,0	
4900		35,0	
5000		32,5	
5100		31,5	
5200		30,0	
5300		28,0	
5400		26,7	
5500		25,0	
5600		23,3	
5700		21,7	
5800		20,0	
5900		17,9	
6400			36,2
6500			36,0
6600			35,8
6700			33,3
6800			31,2
6900			30,0
7000			28,3
7100			27,1
7200			25,8
7300			24,6
7400			22,9
7500			21,7
7600			20,4
7700			19,2
7800			17,6

Maximum tensile load at adjustment angle of 45° is 34,0 kN

Maximum tensile load at adjustment angle of 60° is 12,0 kN

