

DURALOK

Scaffolding and
shoring system



**Solid,
simple
and secure**



Scafom-rux duralok, scaffolding and shoring system

A clever system that is characterised by its ease of assembly and dismantling. DURALOK is a very popular modular scaffolding system which is also highly suitable for vertical shoring. Safe, efficient and strong due to the use of high strength steel which makes it suitable for use in situations involving heavy loads.

Top quality, independently tested and officially certified. Reliable through and through.

See the advantages of DURALOK in a nutshell here.

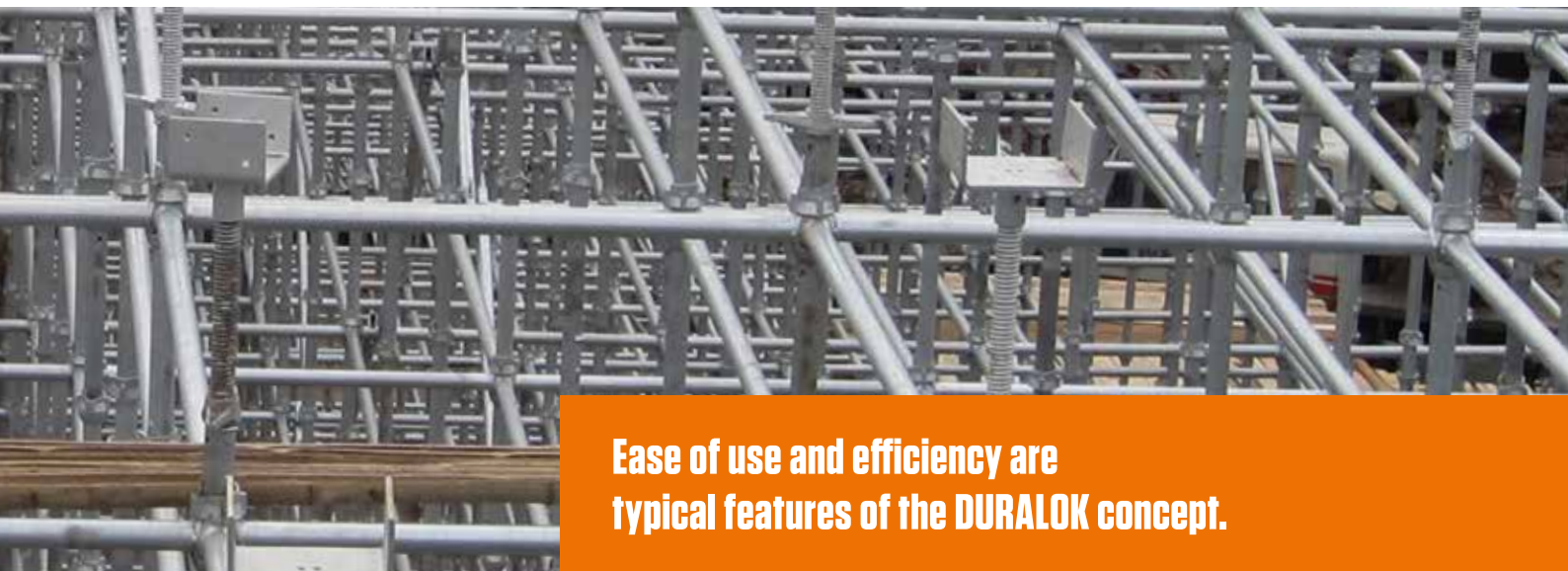
- Clever assembly technique with the unique DURALOK holders
- No loose components
- Straightforward assembly and dismantling
- Can be used as modular scaffolding system and/or shoring system
- High safety standards
- Internationally certified
- Almost indestructible components
- Stable in value



Certified:
Approval Certificate No.Z8.22-208ü
Compatible:
Approval No. No.Z8.22-208ü

Basic properties

The concept

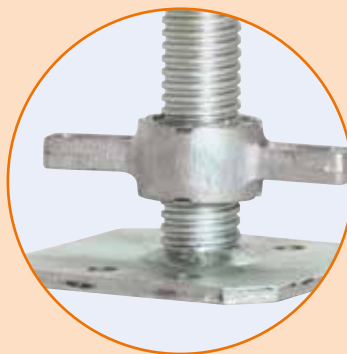


Ease of use and efficiency are typical features of the DURALOK concept.

A single action fixes four components in one go. This means short assembly and dismantling times. A win/win situation!

- Standards with fixed connection points spaced 50 cm apart
- All parts are completely hot-dip galvanised
- Vertical diagonals provide the stability your structure requires

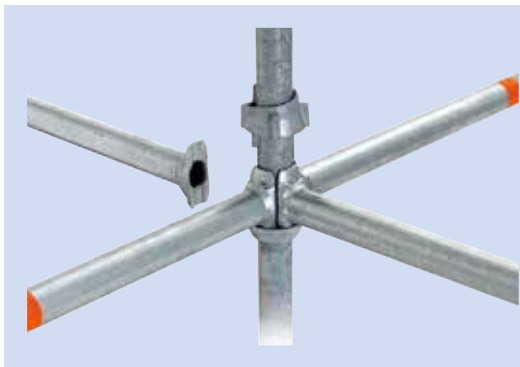
The modular DURALOK system stands out because of its standardised, fast and straightforward assembly, which can save you a considerable amount of time compared to traditional systems!



Scafom-rux supplies DURALOK standards in lengths of 0.50 to 3.00 metres. Ledgers are available in sizes from 0.25 m up to a length of 3.00 metres. Vertical diagonals are available for spaces between 0.75 x 2.00 metres and 3.00 x 2.00 metres. This makes DURALOK a complete modular scaffolding system.

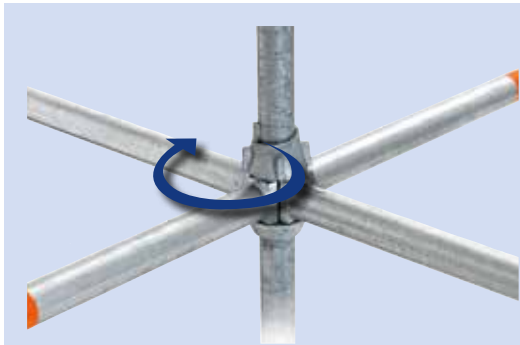


Straightforward assembly



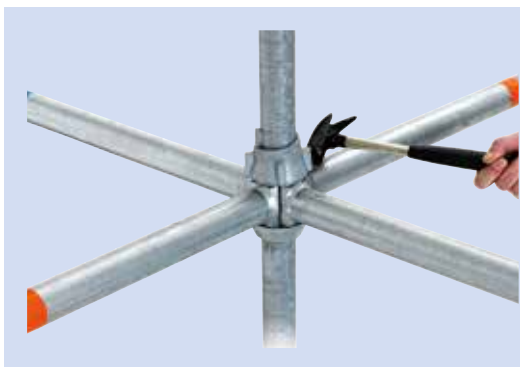
1

Place the ledgers and/or vertical diagonals in the desired position; Position the end(s) of the ledgers and/or the vertical diagonal(s) in the appropriate holder.



2

Turn the upper DURALOK holder over the ends so that all the ledgers and/or diagonals are locked in.



3

Fix the uppermost holder in place with a hammer.

This creates a solid connection which forms the basis of a structure which can tolerate heavy loads. This enables you to assemble the scaffolding and/or shoring system quickly and easily!

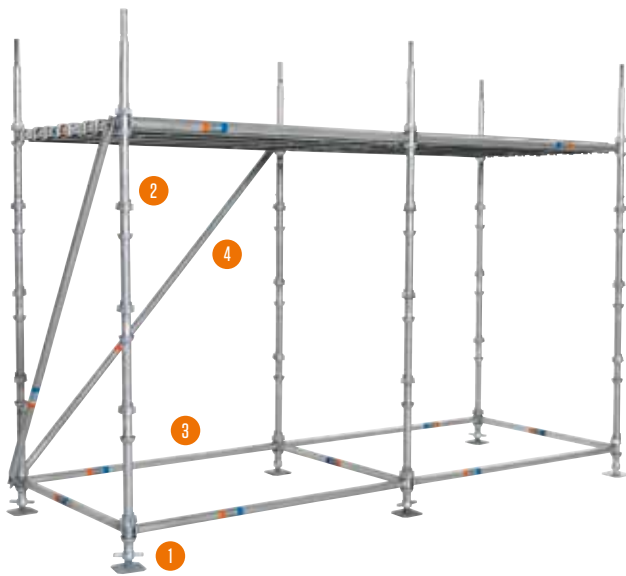
Basis of **DURALOK** system



The components

The clever combination of a limited number of components ensures a stable scaffolding or shoring structure.

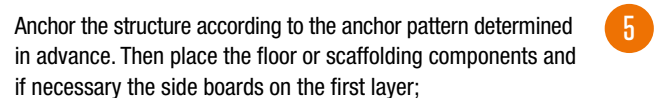
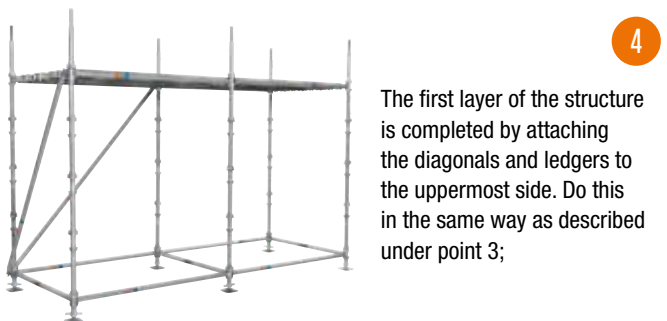
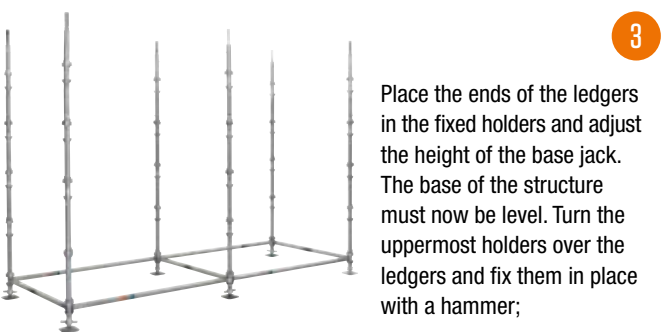
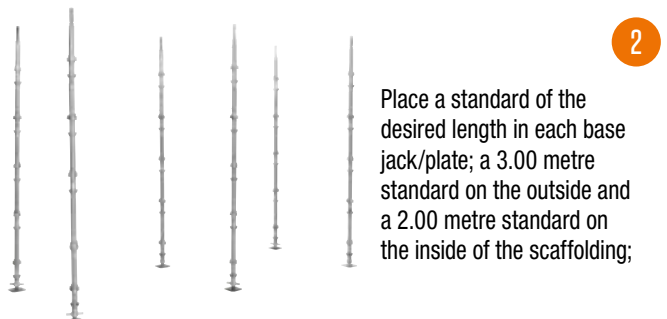
The various components are available in a range of sizes, which makes DURALOK a 100% modular scaffolding system.



- 1 base jack
- 2 standard with holders
- 3 ledger
- 4 vertical diagonal

Starting points: A good start

The basis of a stable DURALOK structure is formed as follows:



Detailed construction instructions and technical specifications can be found in the Instruction Manual (also downloadable from www.scafom-rux.com).

Choose the right components

**The basis of the DURALOK system is solid and stable.
Next you need the right accessories.**

Again, Scafom-rux offers plenty of choice, enabling you to set up your shoring or scaffolding system in total conformity to the previously-established configuration. Each component is a functional and valuable addition to the Scafom-rux range.

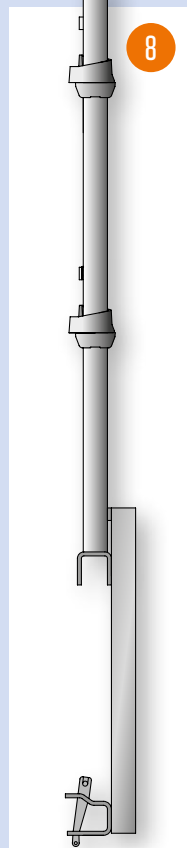
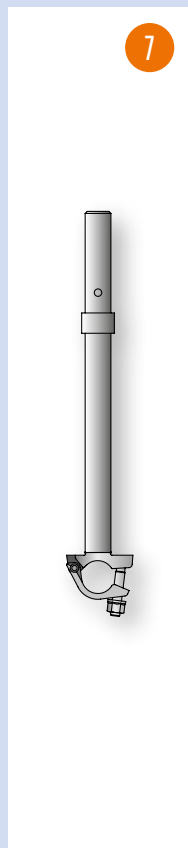
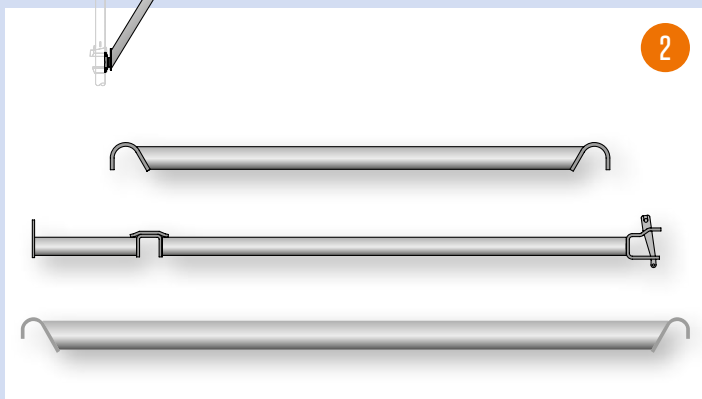
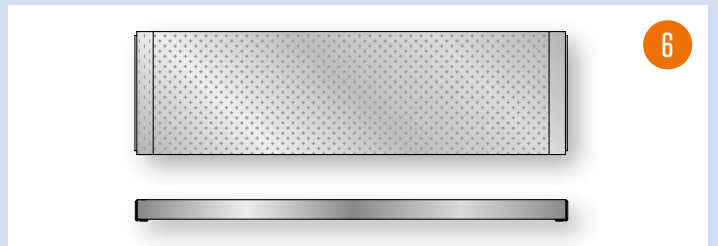
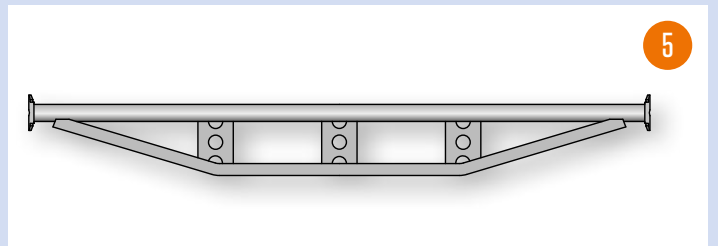
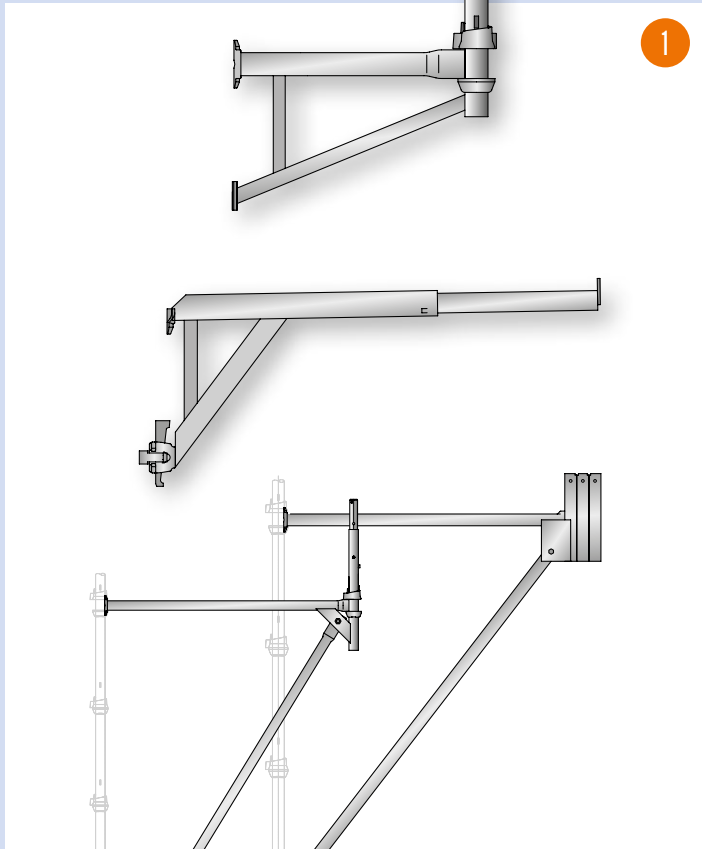
Furthermore, it contributes to the safety, efficiency and reliability of DURALOK scaffolding and support systems.

The DURALOK system can bear greater loads than most other modular scaffolding systems.

Durability and safety are essential and therefore we continuously monitor the quality throughout the production of the DURALOK system.

The internal quality standards are well above the usual requirements. As a result, the DURALOK system almost always has large reserves in terms of load. Because safety and reliability are key!





- 1 Consoles
- 2 Intermediate transom
- 3 Guard rail
- 4 Forked head
- 5 Reinforced ledger
- 6 Steel floor section
- 7 Spigot clamp
- 8 Safety gate standard

DURALOK in action



Scafom-rux is among the largest and most innovative scaffolding manufacturers in Europe and globally. It stands to reason that the DURALOK scaffolding and shoring systems are used in a wide range of situations.



